

HDL-50/HS

CMOS POV CAMERA - DUAL LINK TYPE

1. Outline

The HDL-50/HS is a One-Piece Full Digital Box type HDTV camera, offering high performance for every field of broadcasting or industrial application. Ikegami's experience in HDTV camera technology and latest digital processing technologies is reflected in the design of this camera. Various HD digital formats (including 1080/59.94p, 1080/59.94i, and 720/59.94p) in HD-SDI, Analog (RGB, Y/Pb/Pr), and Dual Link SDI are provided from the camera head for direct connection with HD digital equipment. The compact body and low power consumption, which are achieved by using highly sophisticated CMOS image sensors, makes various system configurations available such as POV (point-of-view) applications: weather camera, overview camera on a pan & tilt, submarine camera for exploring the under sea world, airborne camera, crane camera, microsurgical application camera, and image capture camera.

2. Features

Using newly developed full digital process ASICs, precision designed at 0.18 micron rule, the video signals are processed with up to 38-bit internal digital circuits, providing stable, high-performance and high-quality video signals.

The compact size (W90xH103xD180mm) and light weight (less than 1.5kg) body provides HD-SDI signal directly from the camera without requiring a control unit.

3. Rating

(1) Operating Formats :

1080/59.94i (Conforms to SMPTE 274M)

720/59.94p (Conforms to SMPTE 296M)

1080/59.94p (Conforms to SMPTE 372M)

(2) Field, Frame rate :

60/1.001Hz (50Hz is option)

(3) Image Sensor :

2/3-inch, 2.5 million pixel CMOS Sensors

Effective Picture Elements :

1920 (H)×1080 (V)

(4) Lens Mount :

2/3 inch format B4

(Conforms to BTA-S1005B)

(5) Operating Temperature :

-10C~+45C (+14°F~+112°F)

(6) Operating Humidity :

30~90% (No condensation)

(7) Storage temperature :

-20C~+60C (-4°F~+140°F)

(8) Power Requirements :

DC +12V (11~16V)

(9) Power Consumption :

20W or less (1080/59.94i)

(10) Weight :

1,500g or less (3.09 lbs.)

(11) Dimensions :

W90xH103xD180 mm

(W3.54xH4.06xD7.09inches)

(12) Remote Control:

Connection of various control panels is possible, including RM-50, RM-51, RM-11, OCP-200 & MCP-200

4. Performance

(1) Sensitivity :

F8.0 at 2,000 lux (1080i/720p)

F7.2 at 2,000 lux (1080p)

(2) S/N ratio :

54dB (Y) (1080/59.94i)

(3) Horizontal Resolution :

1000TVL 1080i/p

660TVL 720p

(4) Output Signal :

HD SDI 2 channels (SMPTE 292M)

HD-SDI Dual Link (Conforms to SMPTE 372M)

Video signal : 1 channel (analog RGB / YPbPr selectable)

(5) Genlock Signal :

Tri-value SYNC 0.6Vp-p or BBS 0.3Vp-p

(6) Optical Filter :

ND : 25%, 12.5%, 1.563% (equipped with servo filter)

(7) ECC Filter :

5600K

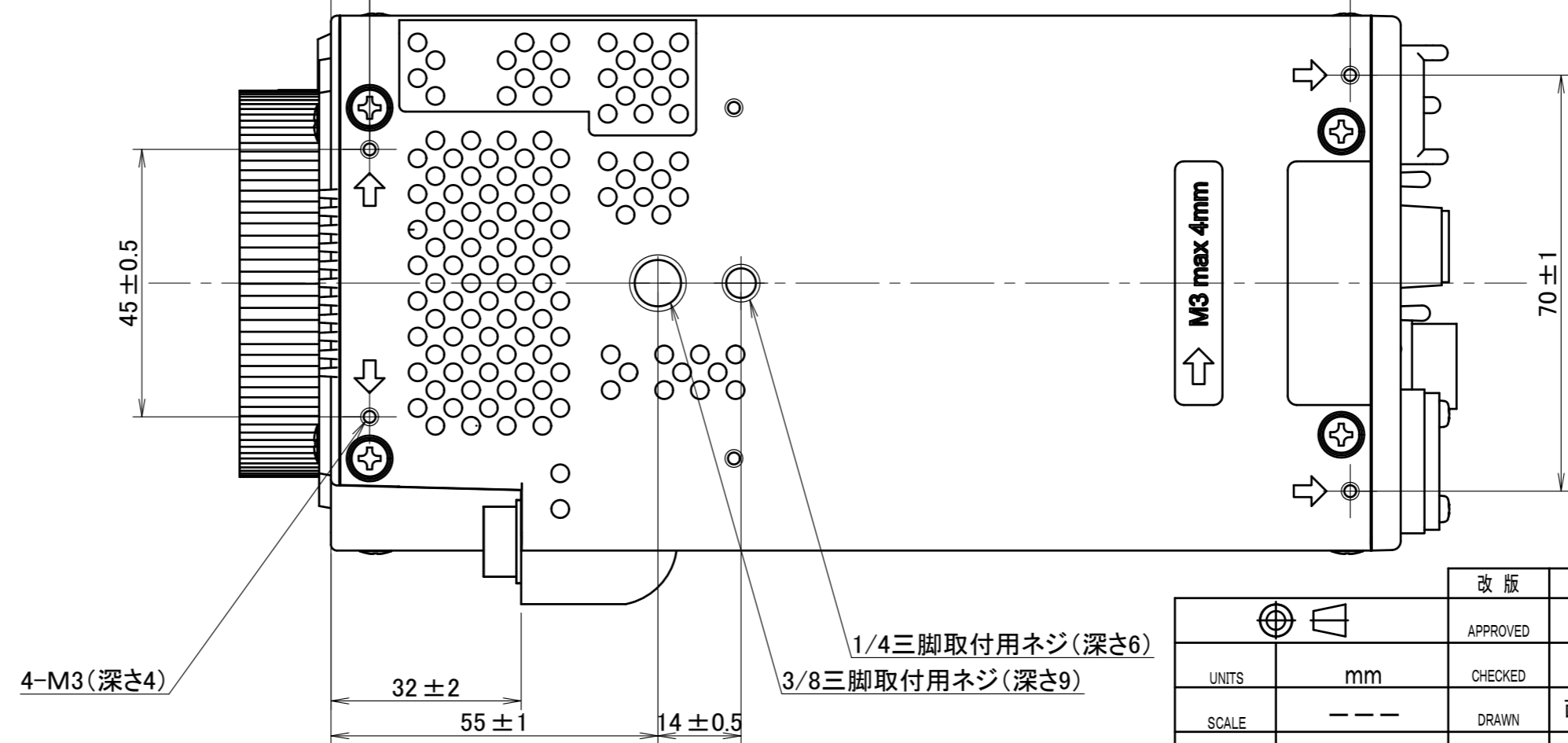
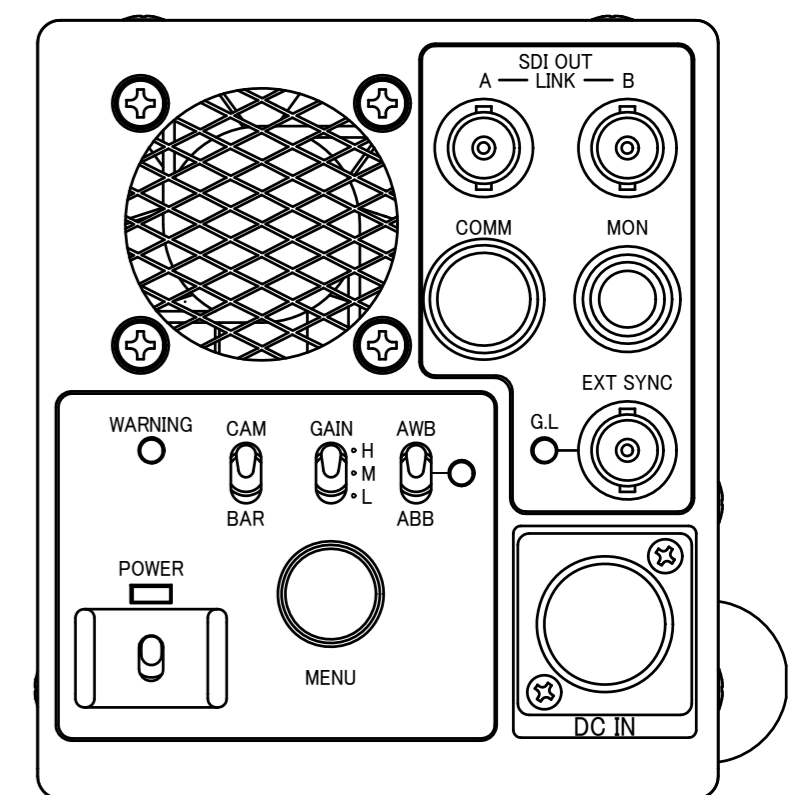
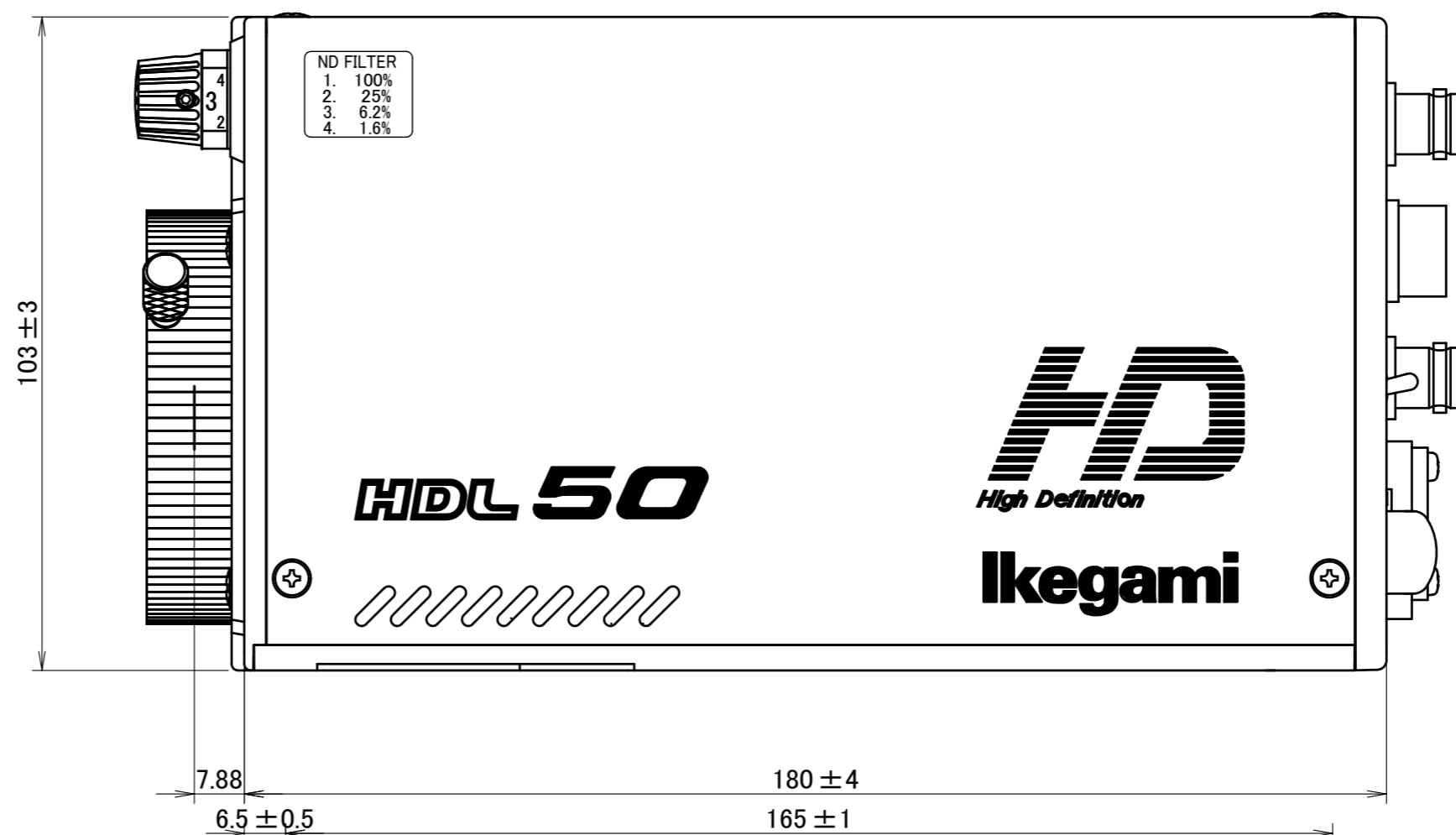
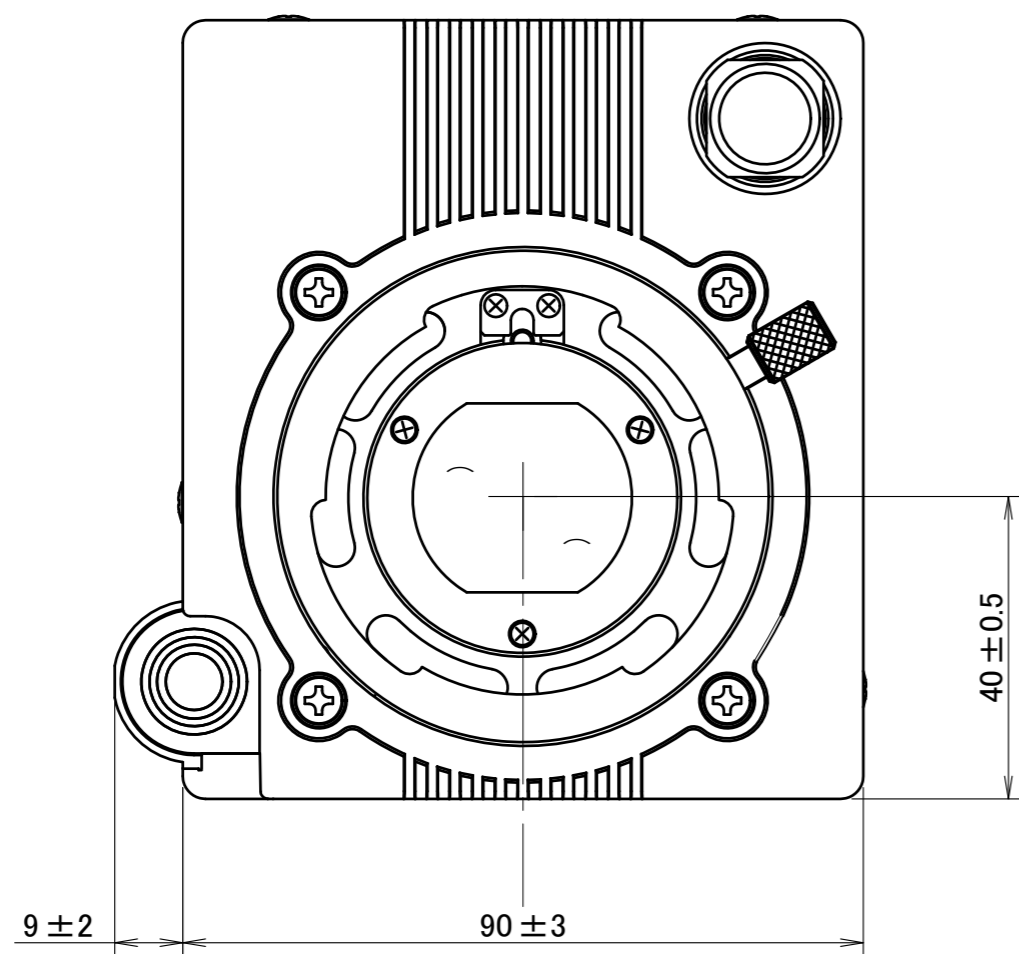
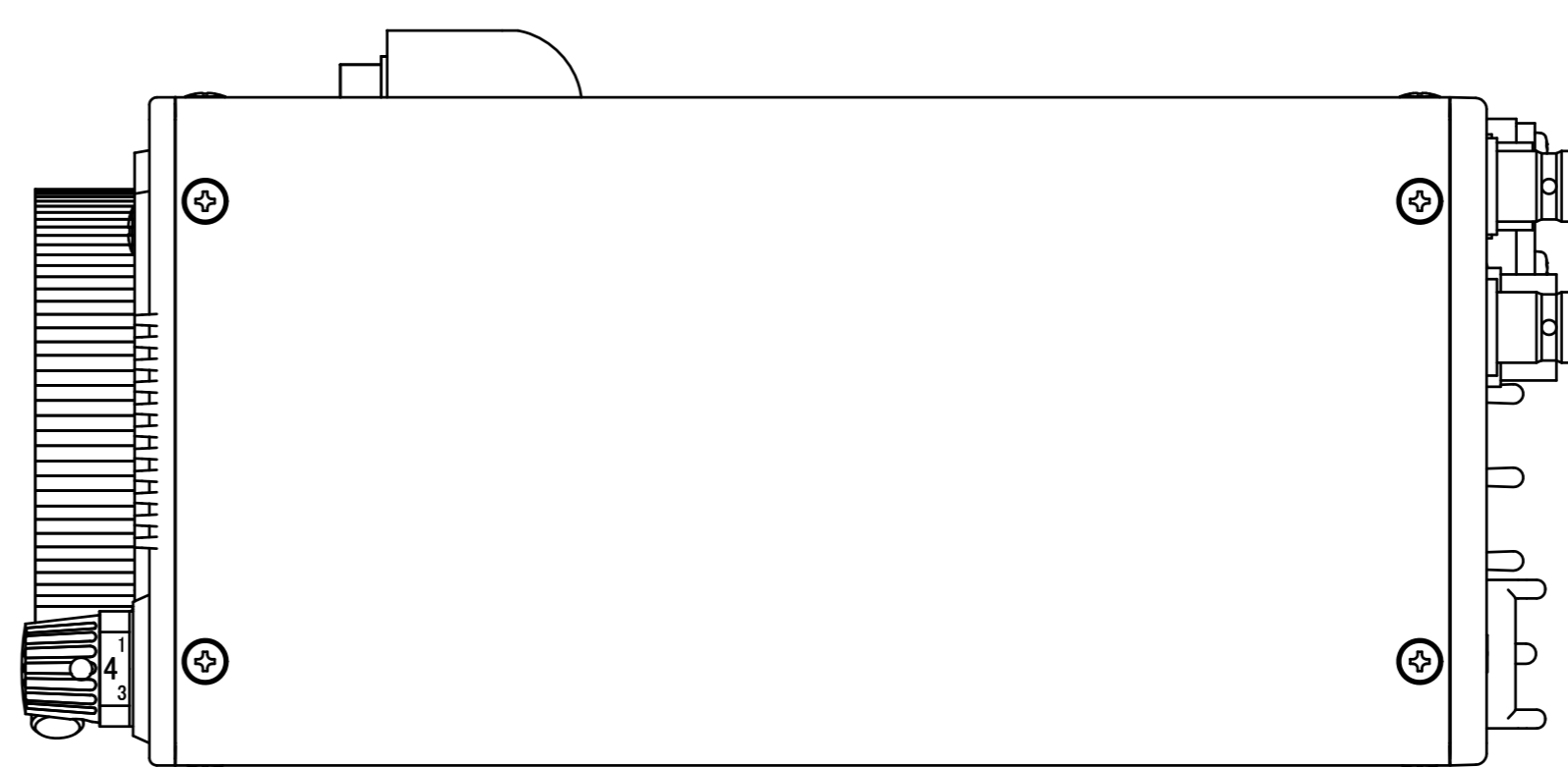
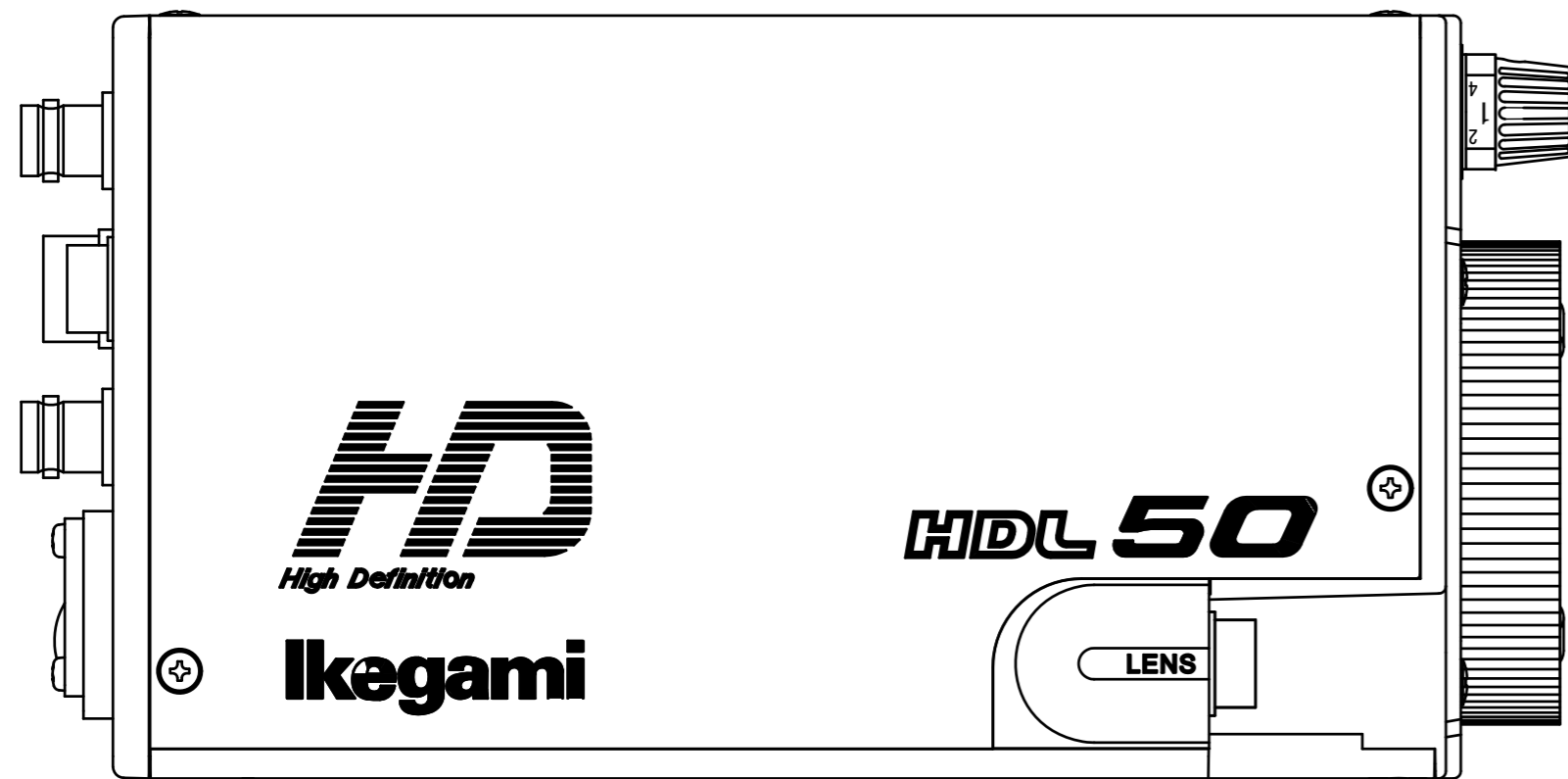
(8) Gain Control :

0dB, + 6dB, +12dB, +18dB (+24dB, +30dB is option)

(10) Electric Shutter :

Format	Mode	Speed
1080i59	PRESET	1/100,1/120,1/250,1/500,1/1000,1/2000
	VARIABLE	1/60.2 -> 1/2040
720p59	PRESET	1/100,1/120,1/250,1/500,1/1000,1/2000
	VARIABLE	1/60.2 -> 1/2040
1080i50	PRESET	1/100,1/120,1/250,1/500,1/1000,1/2000
	VARIABLE	1/50.2 -> 1/2000
720p50	PRESET	1/100,1/120,1/250,1/500,1/1000,1/2000
	VARIABLE	1/50.2 -> 1/2000
1080p59.94	PRESET	1/100,1/120,1/250,1/500,1/1000,1/2000
	VARIABLE	1/60.2 -> 1/2000

(External Appearance: attached)



UNITS	mm	SCALE	---	CAD	S-1	改版	APPROVED	変更日	西村 09.07.28	変更内容	HDL-50/HS < DUAL LINK >	担当	(/)
SCALE	---	SCALE	---	CAD	S-1	改版	CHECKED	変更日	西村 09.07.28	変更内容	CAMERA HEAD	REV	-
CAD	S-1	SCALE	---	CAD	S-1	改版	DRAWN	変更日	西村 09.07.28	変更内容	DWG. No. K2-248437	REV	-
CAD	S-1	SCALE	---	CAD	S-1	改版	DESIGNED	変更日	西村 09.07.28	変更内容	K2-248437	REV	-