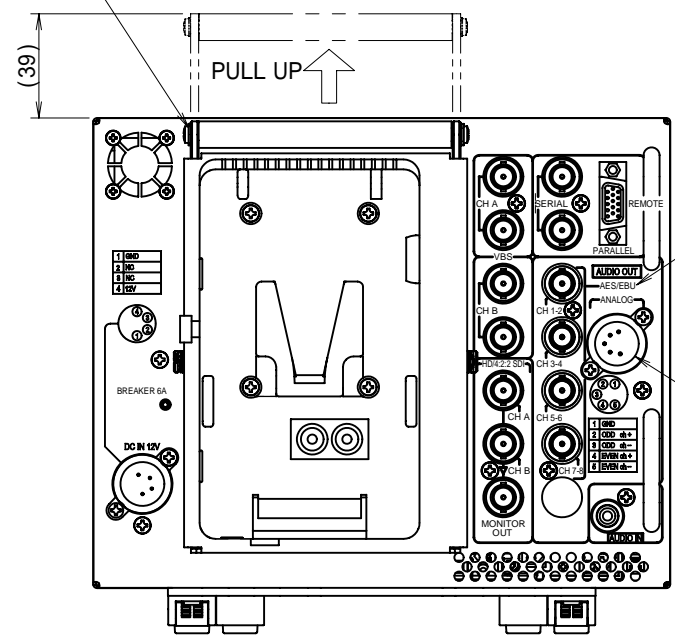
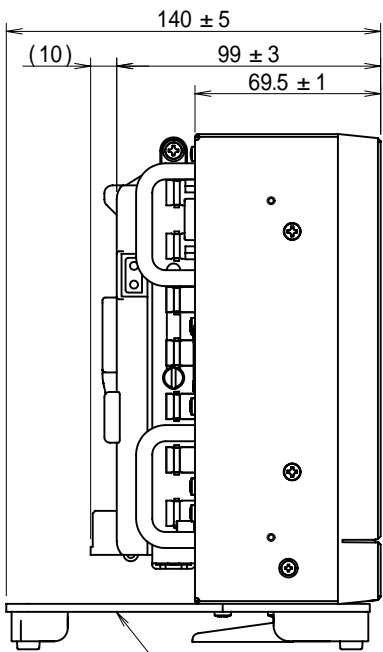


HANDLE

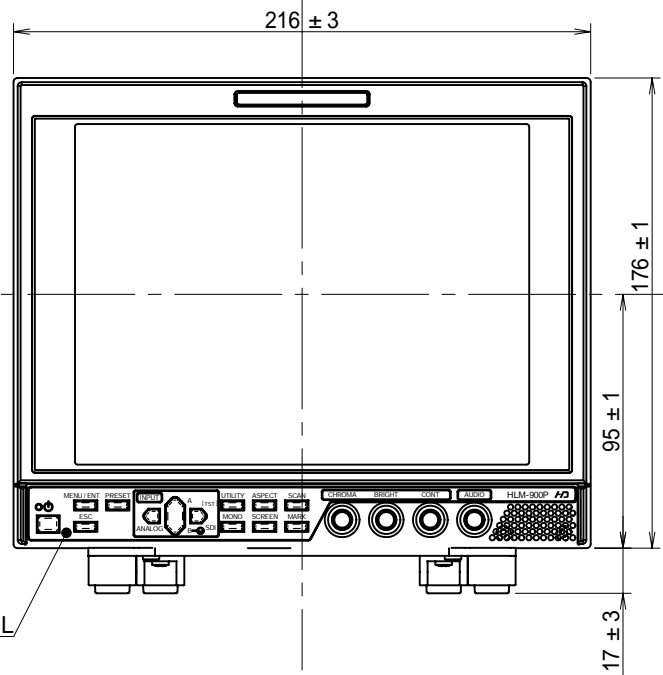


OPTION (EA-900D)

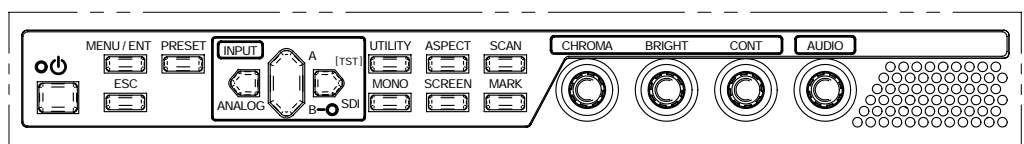
OPTION (EA-900A)



FOOT (STD-900)



FRONT PANEL



FRONT PANEL

		改版	変更日	変更内容	担当
		APPROVED		HLM-900P	
UNITS	mm	CHECKED			
SCALE	- - -	DRAWN	佐藤 05.04.27	TITLE OUTSIDE DRAWING ( / )	REV
CAD	S-1	DESIGNED	佐藤 05.04.27		
				DWG. No. K3-908515	1