

# Ikegami

**HD**  
High Definition

## Digital Portable Switcher

# TD/TDP-370



# TD/TDP-370



## Digital Portable Switcher

The TD/TDP-370 is a 20 input and 2 M/E Digital Portable Switcher. It is designed for applications in small studios, small mobile units, and for field productions. The TDP-370 is a one piece self-contained unit with the control console integrated in the main frame. The switcher is also available with separate full size console panel and mainframe as the TD-370. TD/TDP-370 accommodates SDTV today and DTV tomorrow.

### Facility

Up to 20 Inputs available; 16 Source, KEY1 Fill/Source, KEY2 Fill/Source 6 Outputs; 2 Program(MK1/MK2 Main), 4 AUX Busses(UTL1, UTL2, UTL3/PVW, VE) 2 M/E

### Keyer

"Super" function is available with DSK(MK1/MK2) as standard. 2 original key + 1 external key can be output. Also the Super preview function can be assigned to AUX busses(VE/UTL1/UTL2/UTL3), so processed picture can be checked before line output.

### Built-in DVE

Up to 2ch 3D DVE built-in for both SDTV and HDTV(Option). Preset typical patterns including its Size and Position provide easy operation. Also, each parameter can be set by manually.

### Frame Memory

A still picture from a source input can be stored in non-volatile memory. 3 HD or 15 SD pictures can be stored.

### Built-in Tally Distribution

A tally system outputs relay contact closure at an individual source connectors and system interface connector for both red and green tally. The individual source connectors incorporate each intercom and tally allowing for a single cable connection between switcher and each camera (up to eight camera).

### Various Input/Output format

Signal format can be set by console Menu.

370H Input : HD SDI(1080/59.94i, 1035/59.94i, 1080/23.98sF, 1080/23.98p, 720/59.94p)  
370H Output : HD SDI(1080/59.94i, 1035/59.94i, 1080/23.98sF, 1080/23.98p, 720/59.94p)  
370S Input : SD SDI(480i or 575i)  
370S Output : SD SDI(480i or 575i), Analog Composite(NTSC)

### Sync output

HD: 4 BNC connectors for sync signal output are located on rear panel(Tri-level sync or BBS selectable). Phase can be adjusted in +/- 1 Field between external reference sync and each output.

SD : 1 BNC Connector for BBS output

### Built-in Intercom

An 11 terminal intercom can be incorporated in the switcher (Option).

### Cross-point on AUX busses

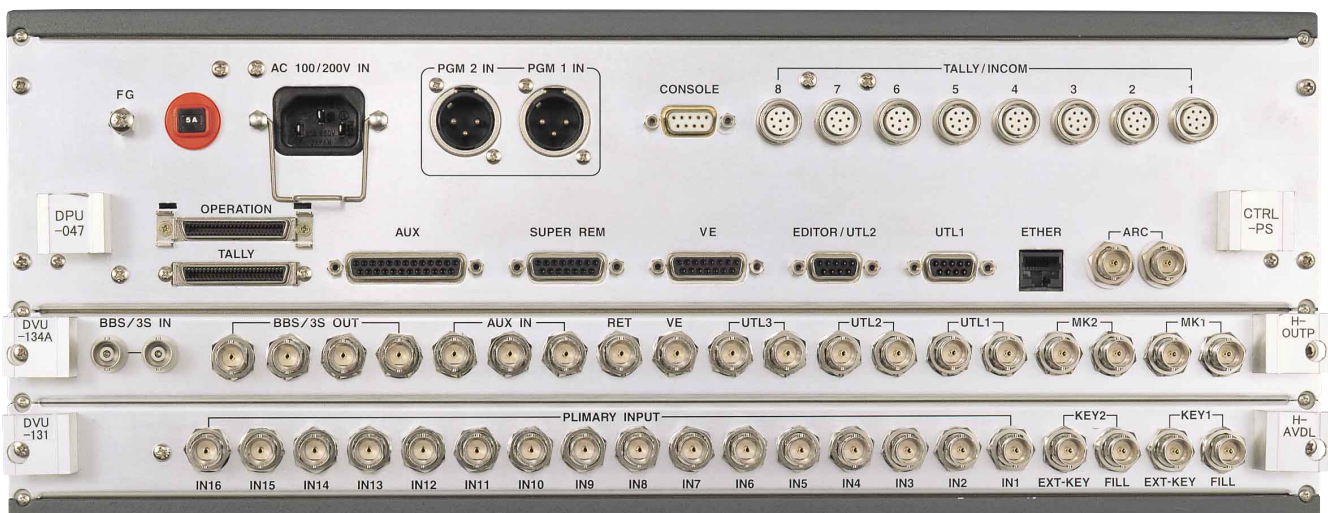
3 AUX input can be output for preview via cross point instead of Line out.

HD: VE/RET/UTL1,2,3

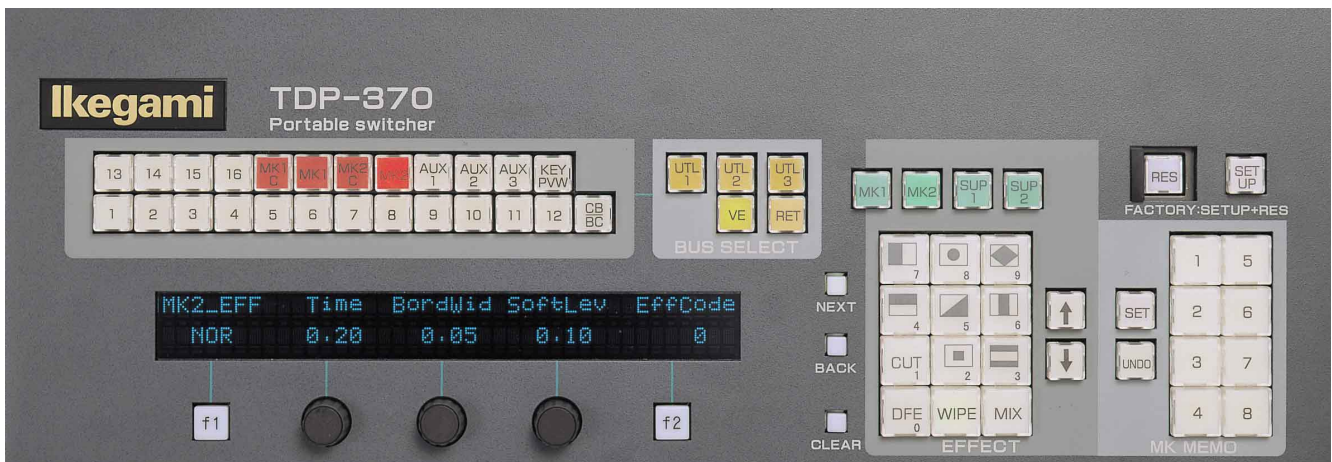
SD: VE/RET

### Color Bar Generator

SMPTE Color Bar for SD and Multi-format Color Bar for HD can be output. Characters superimposed on Color Bars can be set by Menu.



■Rear Panel (H Type)



■TDP-370 Control Console

## configurations

### TDP-370



■TDP-370



■Console Drawer Mechanism

***TDP-370 One piece self-contained 4U rack mount height:***

Compact 19"/4U size self-contained package allows to mount in 19" rack, control console portion has 3 step drawer mechanism. It is useful for small mobile or small studio application. And the console portion can be removed from the unit and connected with remote cable up to 15m.

### TD-370

***TD-370 Separate Control console and Electronic frame configuration:***

Besides the self-contained TDP-370, TD-370 is separated configuration. It employs larger full size console for easy operation where space permits.

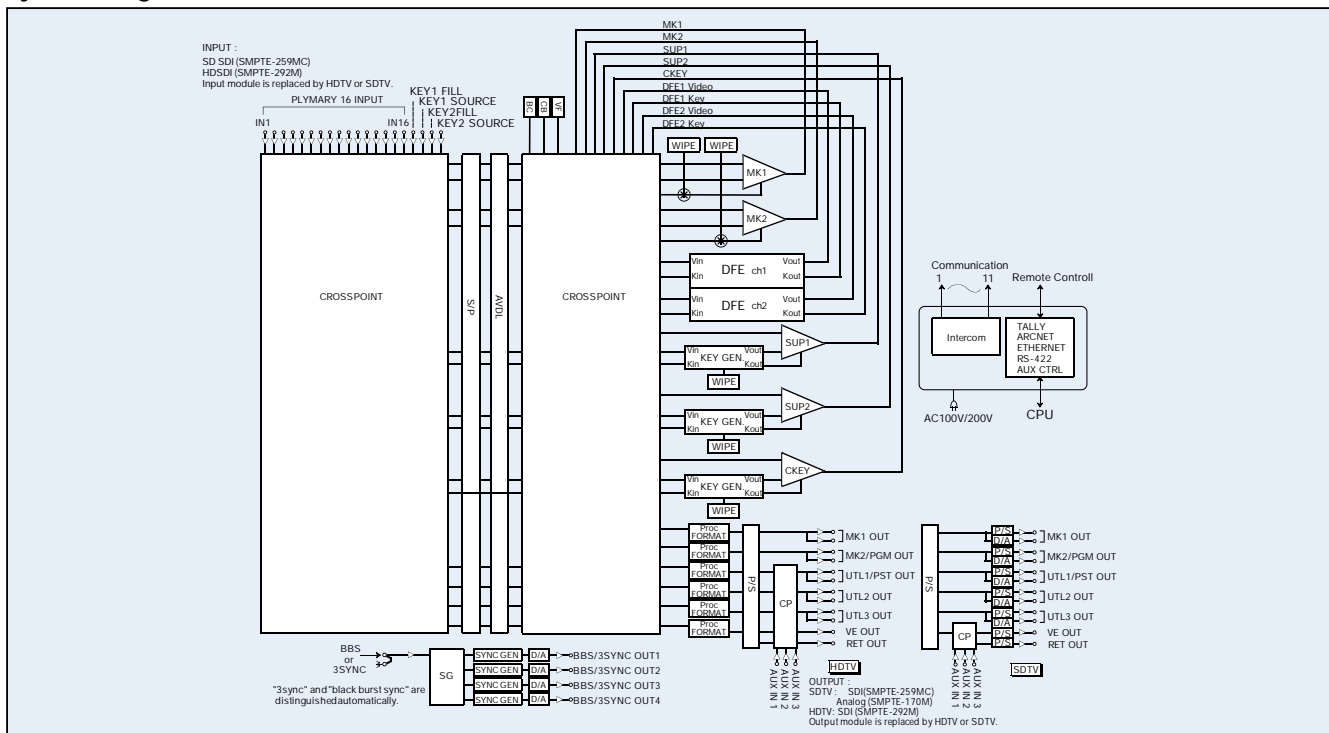


■TD-370 Electronic Frame



■Controle Console

# System Diagram



## Rating / Performance

### Rating

<b>Input signal</b>	20 inputs: 16 source, 2 Fill/Source	SDTV SDI SMPTE125M/259M HDTV SDI SMPTE274M/292M
<b>Sync signal Input</b>	SDTV HDTV	BBS 0.429Vp-p 75 ohm BBS or Tri-Level Sync(0.6Vp-p 75 ohm)
<b>Output signal</b>	SDTV SDI HDTV SDI Analog	SMPTE125M/259M SMPTE274M/292M NTSC Composite VBS 1Vp-p 75 ohm
<b>Sync output</b>	SDTV HDTV	BBS 0.429Vp-p, -0.9H/+0.1H variable Tri-level sync 0.6Vp-p, -0.9H/+0.1H variable
<b>Intercom</b>	Number of Terminal: Input Level : Output Level : PGM Input : PGM Output :	11 (8/Main-frame, 2/Operator's panel, 1/VE) -10dBs 300 ohm/OdBm 600 ohm(Phantom type Microphone available) -4dBs 150 ohm/OdBm 600 ohm 0dBm 600 ohm 0dBm 600 ohm
<b>Video Delay</b>		1H (Input/Output at all channel, -0.3H/+1.3H variable)
<b>Power Voltage</b>		AC100V/200V(Auto sensing), 50/60Hz Voltage Range allowed 85 to 132V, 170 to 264V
<b>Power Consumption</b>		SD SDI Input/Output : 150VA max. HD SDI Input/Output : 250VA max.
<b>Ambient Temperature for full Specification</b>		0 to 40°C
<b>Ambient Temperature for Operation</b>		0 to 45°C
<b>Dimensions/Weight</b>	TDP-370 Main Frame TD-370 Main Frame TD-370 Control Console A/D Converter Redundant Power Frame	(H) 176 × (W) 440 × (D)500mm 21kg (H) 176 × (W) 440 × (D)500mm 16kg (H) 110 × (W) 560 × (D)420mm 12kg (H) 88 × (W) 482.6 × (D)460mm 12kg (H) 88 × (W) 482.6 × (D)475mm 13kg

\*Depth of each Main Frame doesn't include protruded connectors on rear panel.  
In case of setting onto desk, 10mm height plastic feet will be attached.

### Performance

<b>Analog Output</b>	Frequency response	60 to 4MHz : +/0.2dB or less 5MHz : +0dB, -1.3dB or less 6MHz or higher : Down slope
	Color Specification	DG : 2% or less DP : 2 or less(at APL 10 to 90%) S/N : 56dB or less(Except RET output)
	Hum Noise :	1mVp-p or less
	Cross Talk :	54dB or less at
	Pedestal level fluctuation :	5mV p-p or less
	AVDL	SD : -0.1H ~ +0.9H at 1H delay on Switcher output HD : -1.1H ~ +0.9H at 1H delay on Switcher output
<b>Digital Input/Output</b>	Serial Digital Input specification	Impedance 75 ohm Return Loss 15 dB or more(5MHz~ 270MHz)
	Serial Digital Output specification	Impedance 75 ohm Return Loss 15 dB or more(5MHz~ 270MHz) DC offset 0.0V +/-0.5V Over-shoot 10% or less Alignment Jitter 0.2Ulp-p
<b>Intercom</b>	Frequency Response :	-3dB at 300Hz/10kHz ± 1.5dB
	Distortion :	1.0% or less at 1kHz
	S/N :	55dB or better at 1kHz
	Cross Talk :	50dB or better at 1kHz
<b>Others</b>	Control system delay	2V(32ms) or less
<b>Power interrupt</b>	10 seconds or less :	Automatic recovery as it was prior to lost power.
	Longer than 10 seconds :	Initial Starting Condition

Design and specifications are subject to change without notice.

SH35A033-HI-K0.5 Printed in Japan



**KEGAMI ELECTRONICS (U.S.A.), INC.**

■URL <http://www.ikegami.com>

HEADQUARTERS 37 BROOK AVENUE, MAYWOOD, NJ 07607  
Phone:(201) 368-9171 Fax:(201) 569-1626

WESTCOAST OFFICE 2631 MANHATTAN BEACH BLVD., REDONDO BEACH, CA 90278 Phone:(310) 297-1900 Fax:(310) 536-9550

SOUTHWEST OFFICE 526 BLUEBIRD LANE, RED OAK, TX 75154 Phone:(972) 869-2363 Fax:(972) 556-1057

MIDWEST OFFICE 747 CHURCH ROAD, UNITS C1, ELMHURST, IL 60126 Phone:(630) 834-9774 Fax:(630) 834-8689

SOUTHEAST OFFICE 5200 N.W. 33RD AVENUE, SUITE 111, FORT LAUDERDALE, FL 33309 Phone:(954) 735-2203 Fax:(954) 735-2227