

Ikegami

9-inch Broadcast Monochrome Monitor

PM9050



Ikegami's PM9050 9-inch high performance monochrome monitor with a high resolution CRT delivers over 800 lines of horizontal resolution. Switching power supply circuitry provides a wider range of supply voltages, while its back porch clamp assures consistent stability for the video black level. The PM9050 can be combined with a WFM monitor and/or vectorscope, and also mounted in a 19-inch rack with a two-monitor configuration. The PM9050 is ideally suited for use in applications such as signal monitoring and adjustment for video equipment installed in broadcasting facilities.

- 16:9/4:3 scan function.
- 19-inch rack mountable.
- Switching power supply circuitry provides a wider range of power supply voltages.
- Back porch clamping assures consistent stability for the video black level.
- Dual (A/B) inputs, front panel selectable.
- Remote control (VIDEO, SYNC, 4:3/16:9, RED TALLY ON/OFF).
- CE Listed.

PM9050

9-inch Broadcast Monochrome Monitor

Specifications

GENERAL

Power	AC100V~240V 50/60Hz, approx. 30W or less
Ambient Temperature	0°C~+40°C(32°F~104°F) 90% or less relative humidity
External Dimension (W×H×D)	220×215×255mm
Weight	Approx. 4.4kg
Connector	Video input : BNC type(2 systems) Sync input : BNC type(1 system) Remote input Tally input
Front Panel Controls	Power ON/OFF Video input A/B Sync input EXT/INT Size NOR/WIDE Pulse cross ON/OFF 4:3/16:9 Contrast Brightness
Remote Operation	Video input A/B Sync input EXT/INT 4:3/16:9 RED tally ON/OFF CE
Acquired Safety Standard	
Standard Accessories	Remote connector, AC cable, Operation Manual
RATING	
Input Signal	2 video inputs 1 sync input
Input Level	Video signal : VS 1.0Vp-p or V 0.7Vp-p, positive Sync signal : 0.3V~0.8Vp-p, negative
Input Impedance	Video input/Video sync : 75Ω terminated or high impedance bridge connection
Output Level CRT	25Vp-p E8069B4
Phosphor Colorimetry	6500° K
Brightness Operation	60ft-L Continuous
Scanning Size <4:3 mode>	Normal Scan : W160 × H120mm Wide Scan : Area of 4:3 aspect ratio where the picture height touch to the top and bottom of escutcheon
<16:9 mode>	Normal Scan : W160 × H90mm

PERFORMANCE

Horizontal Resolution	800TV Lines or more at center
Power Voltage Fluctuation	Will maintain stable picture quality with a ±10% AC input voltage fluctuation
X-ray Radiation	Less than 0.1mR/H under normal operation at the place 50mm away from monitor (should not be over 0.5mR/H even when damaged)

VIDEO Signal System

Frequency Response	50Hz~10MHz : Within +1/-3dB Over 10MHz : Falling
	From video input terminal to CRT drive output referred to 100kHz under the rated output Approx. 35dB or more
Max. Gain	Continuously variable from 0 ~ max. gain

DEFLECTION SYSTEM

Scanning Frequency	
Horizontal	15.625kHz(PAL) 15.75kHz(NTSC)
Vertical	50Hz(PAL) 59.94Hz(NTSC)
Sync Stability	
* Stability of synchronization will be met for the following conditions:	
Internal Sync	VS level change ±6dB from the rated value when chroma level is kept at 150%
External Sync	0.3V~8Vp-p

Scanning Amplitude	Must be adjusted to the rated size of 4:3 or 16:9 aspect ratio
--------------------	---

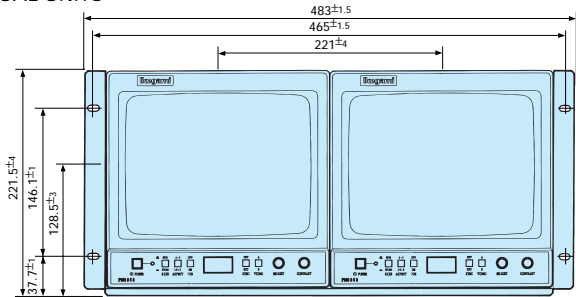
Deflection Distortion	Less than 1% both for deflection linearity and raster distortion
-----------------------	---

Pulse Cross Display Function	Horizontal(H) : Approx. 1/4 shift Vertical(V) : Approx. 1/2 shift
Hum Oscillation	0.2mm or less

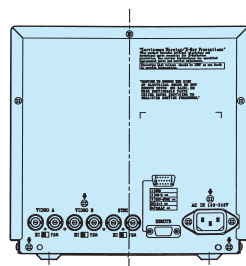
HIGH VOLTAGE

Tolerance	Approx. 12KV±1KV(cut off)
Regulation	Less than ±3% over the range of 0 to 200 μA referred to 100 μA

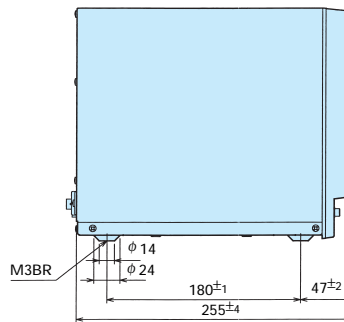
DUAL UNITS



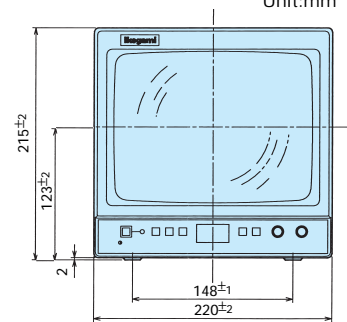
Dimensions



REAR VIEW



SIDE VIEW



FRONT VIEW

Unit:mm

Design and specifications are subject to change without notice.

*NTSC versions are no available with CE Mark.



Ikegami IKEGAMI ELECTRONICS (U.S.A.). INC.

H18A998-SI-F1 Printed in Japan

■ Headquarters
37 Brook Avenue, Maywood, NJ 07607 TEL.(201)368-9171 / FAX.(201)569-1626
■ West Coast Office
2631 Manhattan Beach Blvd., Redondo Beach, CA 90278 TEL.(310)297-1900 / FAX.(310)536-9550

■ Southwest Office
773 Bearden, Waxahachie, TX 75167 TEL.(972)869-2363 / FAX.(972)556-1057
■ Midwest Office
747 Church Road Unit C1, Elmhurst, IL 60126 TEL.(630)834-9774 / FAX.(630)834-8689
■ Southeast Office
5200 N.W. 33rd Avenue Suite 111, Ft. Lauderdale, FL 33309 TEL.(954)735-2203 / FAX.(954)735-2227