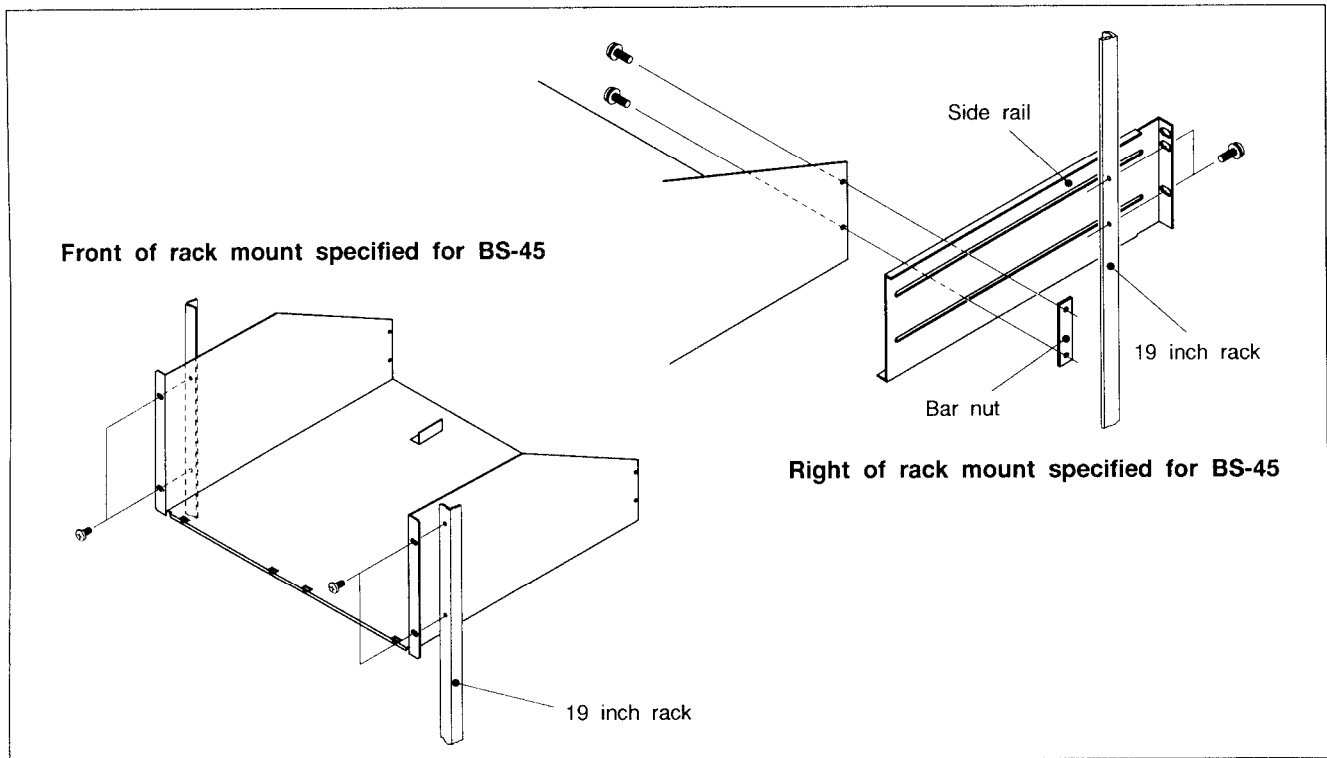


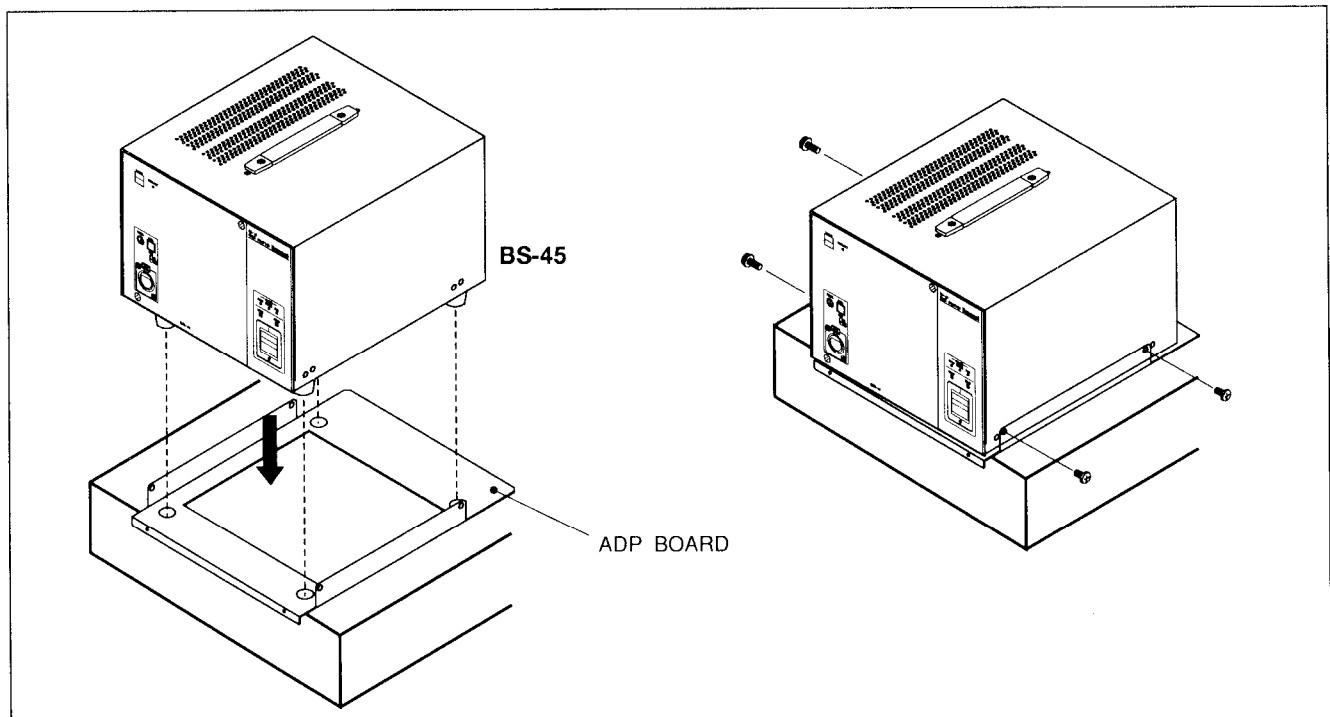
### 3.10 Installation of Rack Mount Adaptor

#### [ Rack Mount Adaptor Specified for BS-45 ]

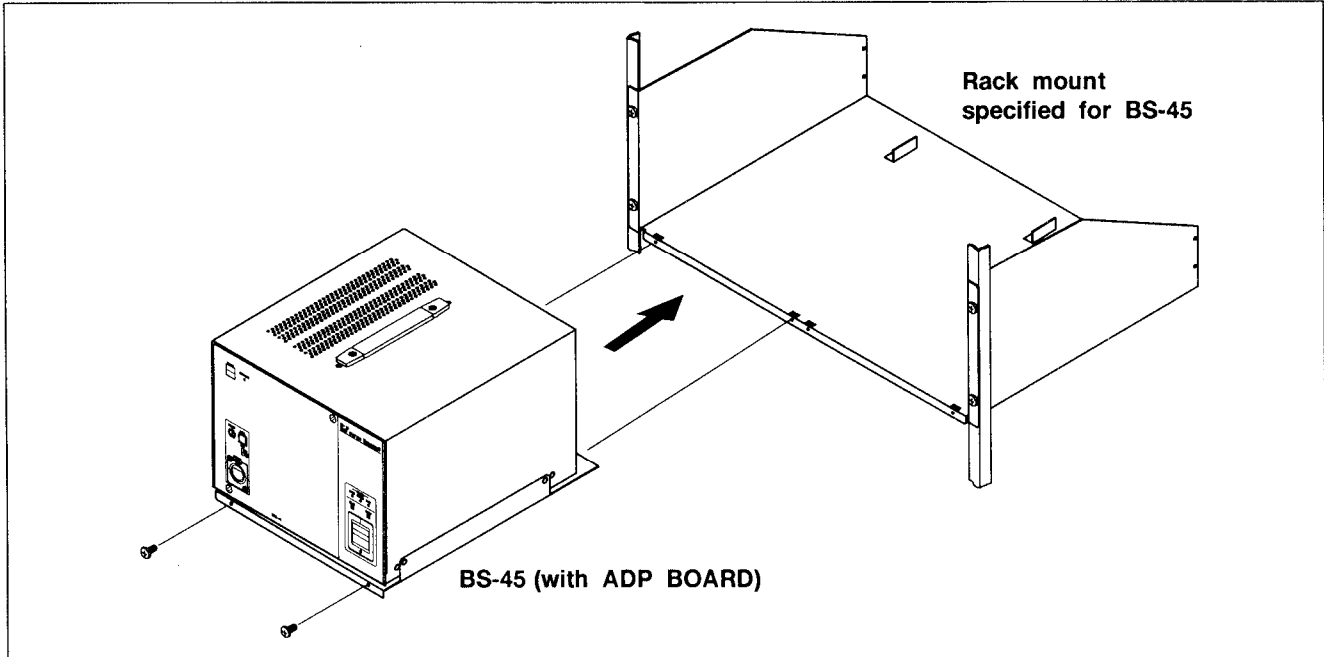
1. Fix the front of the rack mount adaptor with 4 screws.
2. Fix the side rail with 2 screws.  
Both the right and left sides should be done.
3. Fix the rack mount adaptor with the side rail with 2 screws and the bar nut.  
Both the right and left sides should be done.



4. Fix the ADP BOARD at the bottom of the BS-45 with 4 screws.

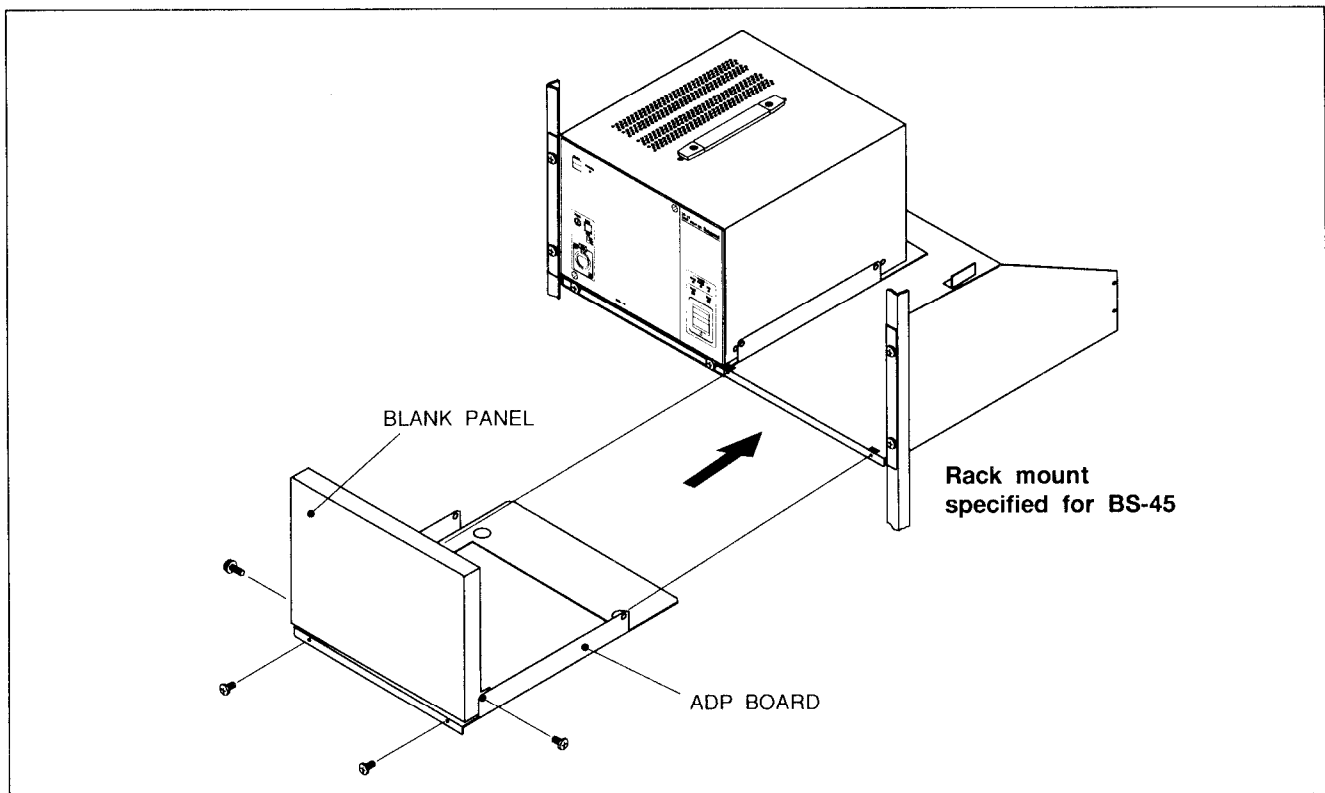


5. Fix the BS-45 (with ADP BOARD) in the rack mount adaptor with 2 screws.



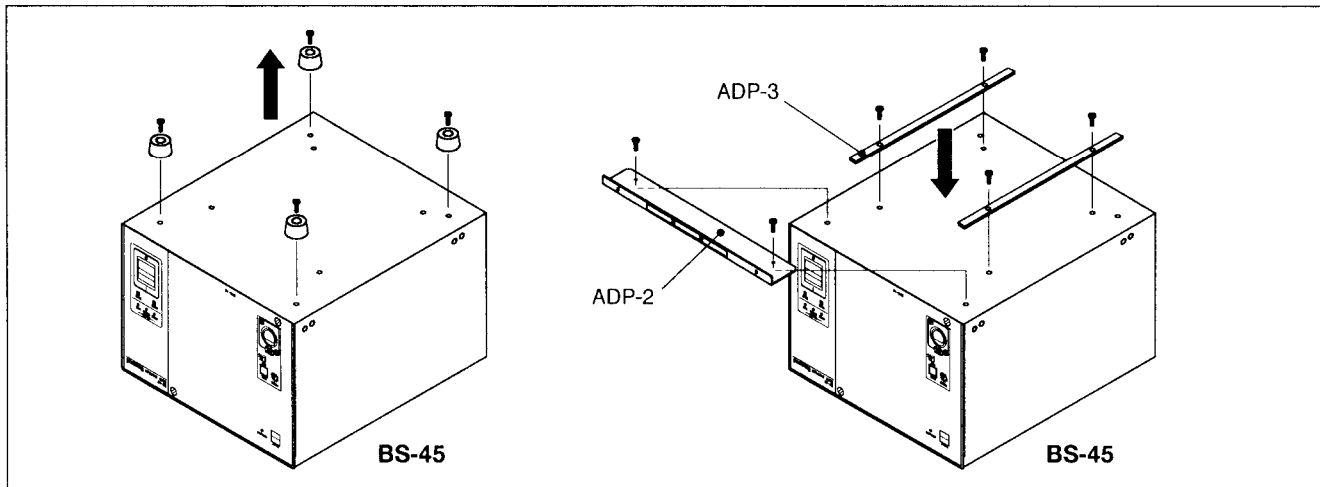
6. When installing the BLANK PANEL, fix the BLANK PANEL with the ADP BOARD with 2 screws.

7. Fix it in the rack mount adaptor with 2 screws.



**[ Rack Mount Adaptor Specified for BS-553/593 ]**

1. Remove 4 feet at the bottom of the BS-45.
2. Fix 2 ADP-3s at the bottom of the BS-45 with 4 screws.
3. Fix the ADP-2 at the bottom of the BS-45 with 2 screws.



4. Remove the handle at the top of the BS-45.
5. Fix the ADP-1 at the top of the BS-45 with 2 screws.
6. Fix the BS-45 (with ADP-1, -2, -3) in the rack mount adaptor with 4 screws.

