

BS-45 CHASSIS PM-220385 92203-20850

| No. | INDEX | PARTS NAME | PARTS No. | Q'ty |
|------|-------|-----------------|----------------|------|
| 1001 | 3-E | BOTTOM PANEL | 103-201124 | 1 |
| 1002 | 2-A | COVER | 103-201126 | 1 |
| 1003 | 2-C | RAIL PANEL1 | 103-201103 | 1 |
| 1004 | 2-C | RAIL PANEL2 | 103-201104 | 1 |
| 1005 | 3-D | REAR PANBL | 103-201164 | 1 |
| 1006 | 1-C | RAIL | 004-293806 (C) | 5 |
| 1007 | 2-D | RAIL | 004-293806 (D) | 5 |
| 1008 | 2-B | COVER NUT | 104-201550 | 2 |
| 1009 | 4-D | SPACER | 004-261458 | 1 |
| 1010 | 2-E | COLOR LEGS | BU-4850 (15) | 4 |
| 1011 | 1-C | NON SKID BUMPER | NQ5771 | 1 |
| 1012 | 3-D | XLR BLK | 104-201551 | 1 |
| 1013 | 4-D | NAME PLATE | 104-202595 | 1 |
| 1014 | 2-A | HANDLE ADD. | 104-201925 | 1 |

BS-45 POWER SUPPLY PM-220385 92203-20850

| No. | INDEX | PARTS NAME | PARTS No. | Q'ty |
|------|-------|--------------|------------------|------|
| 1101 | 5-B | PSCHASSIS | 102-201558 | 1 |
| 1102 | 5-C | PSPANEL | 103-201168 | 1 |
| 1103 | 5-A | PSBAR | 104-201559 | 1 |
| 1104 | 4-C | VR PLATE | 104-201334 | 1 |
| 1105 | 4-C | SW GUARD (2) | 004-247356 (B) | 1 |
| 1106 | 4-C | CABLE CLAMP | 004-287633 | 2 |
| 1107 | 4-C | SCREW | K1P2-5SB | 2 |
| 1108 | 7-B | SUPPORT | ITS-SD-31-68.5BD | 3 |
| 1109 | 7-C | P2 COVER | 102-201558 | 1 |
| 1110 | 7-C | SPACER | PNC6 | 2 |
| 1111 | 8-B | BLK (DC/CO) | 104-201900 | 1 |
| 1112 | 7-B | BLK (DC) | 104-201901 | 1 |

BS-45 AC FILTER (FISHER) PM-220564 92205-20640

| No. | INDEX | PARTS NAME | PARTS No. | Q'ty |
|------|-------|--------------|------------|------|
| 1201 | 6-D | CN PANEL (F) | 104-202594 | 1 |
| 1202 | 6-C | SHIELD BOX | 104-201996 | 1 |
| 1203 | 5-C | SHIELD COVER | 104-201997 | 1 |
| 1204 | 6-D | SUPPORT | PNC17 | 2 |
| 1205 | 6-D | SPACER | PNC12 | 2 |
| 1206 | 5-D | SPACER | PNC6 | 2 |
| 1207 | 6-C | ADAPTOR RING | M4-279140 | 1 |

BS-45 AC FILTER (KING) PM-220507 9

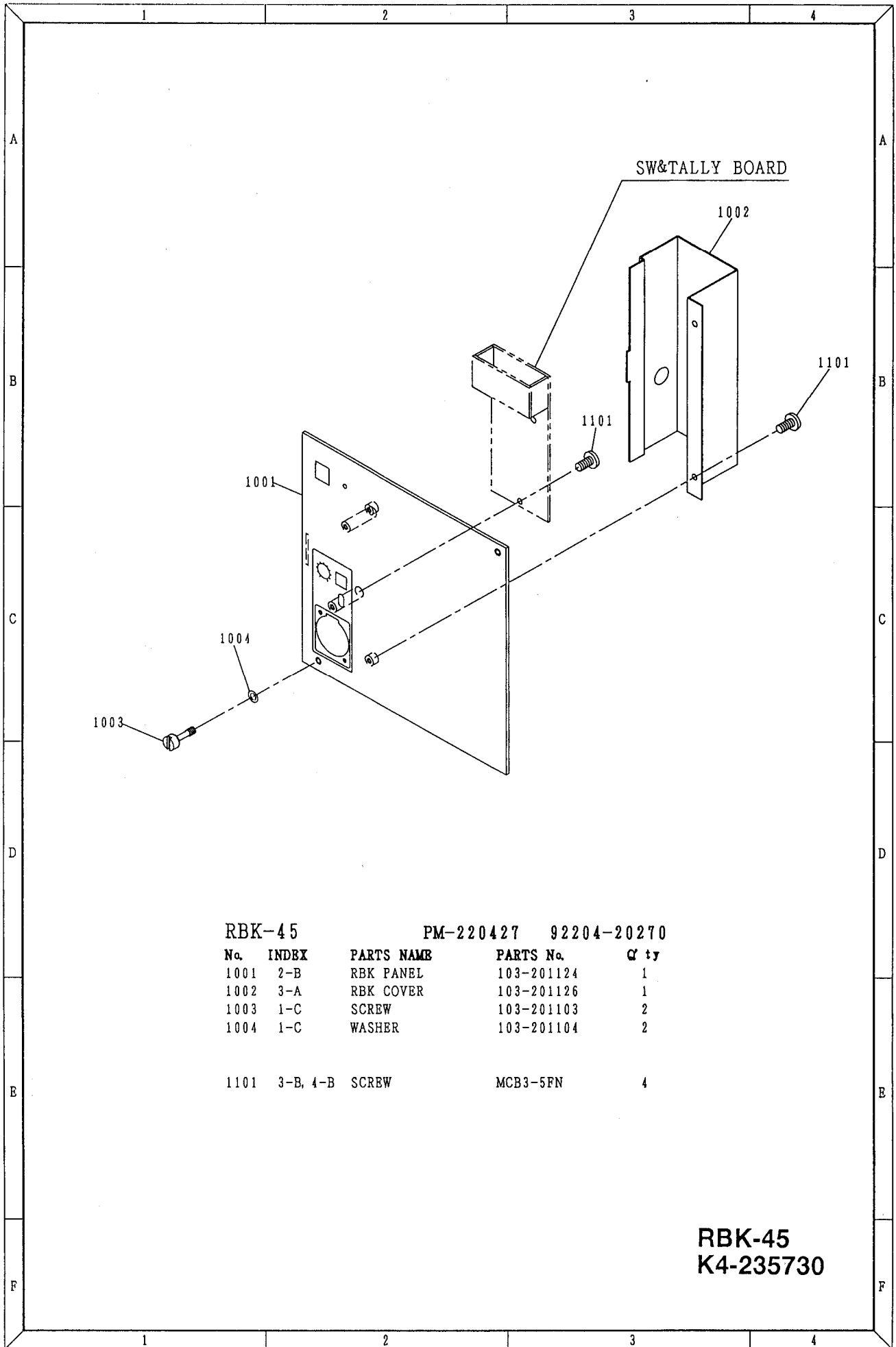
| No. | INDEX | PARTS NAME | PARTS No. | Q'ty |
|------|-------|---------------|------------|------|
| 1301 | 6-D | CN PANEL (LK) | 104-202264 | 1 |
| 1202 | 6-C | SHIELD BOX | 104-201996 | 1 |
| 1203 | 5-C | SHIELD COVER | 104-201997 | 1 |
| 1204 | 6-D | SUPPORT | PNC17 | 2 |
| 1205 | 6-D | SPACER | PNC12 | 2 |
| 1206 | 5-D | SPACER | PNC6 | 2 |

BS-45 AC FILTER (TAJIMI) PM-220418 9

| No. | INDEX | PARTS NAME | PARTS No. | Q'ty |
|------|-------|--------------|------------|------|
| 1401 | 6-D | CN PANEL (T) | 104-201567 | 1 |
| 1202 | 6-C | SHIELD BOX | 104-201996 | 1 |
| 1203 | 5-C | SHIELD COVER | 104-201997 | 1 |
| 1204 | 6-D | SUPPORT | PNC17 | 2 |
| 1405 | 6-D | SPACER | PNC12 | 2 |
| 1206 | 5-D | SPACER | PNC6 | 2 |

| No. | INDEX | PARTS NAME | PARTS No. | Q'ty |
|------|----------|------------|-------------|------|
| 1501 | 1-C, 5-C | SCREW | MCB2-4FN | 26 |
| 1502 | 3-D | SCREW | MCB2-6FN | 6 |
| 1503 | 4-D, 7-A | SCREW | MCB2.6-5FN | 6 |
| | 8-B | | | |
| 1504 | 4-D | SCREW | MCB2.6-12FN | 2 |
| 1505 | 1-A | SCREW | MCF2.6-5FN | 4 |
| 1506 | 1-C, 1-D | SCREW | MCB3-5FN | 43 |
| | 2-C, 2-D | | | |
| | 2-E, 3-A | | | |
| | 3-C, 3-E | | | |
| | 5-B, 5-D | | | |
| | 6-B, 6-C | | | |
| | 7-C, 8-C | | | |
| | 8-D | | | |
| 1507 | 2-F | SCREW | MCB3-6FN | 4 |
| 1508 | 5-B | SCREW | MCF3-5FN | 2 |
| 1509 | 1-A | SCREW | MCO4-12FN | 2 |
| 1510 | 4-D | SCREW | T2P2-5FN | 16 |

**BS-45
BASE STAT
(K3-235)**

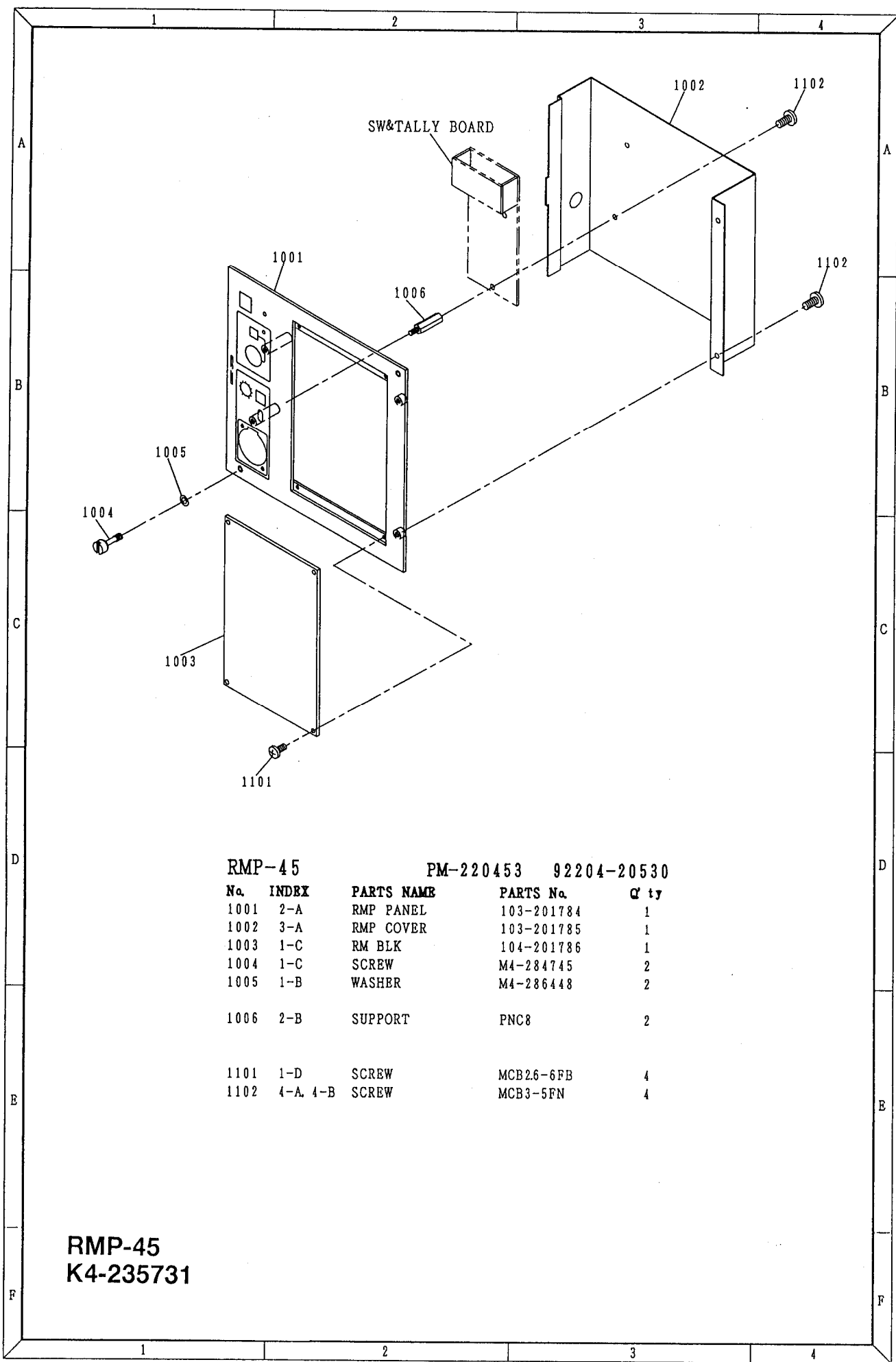


RBK-45

PM-220427 92204-20270

| No. | INDEX | PARTS NAME | PARTS No. | Qty |
|------|----------|------------|------------|-----|
| 1001 | 2-B | RBK PANEL | 103-201124 | 1 |
| 1002 | 3-A | RBK COVER | 103-201126 | 1 |
| 1003 | 1-C | SCREW | 103-201103 | 2 |
| 1004 | 1-C | WASHER | 103-201104 | 2 |
| 1101 | 3-B, 4-B | SCREW | MCB3-5FN | 4 |

RBK-45
K4-235730

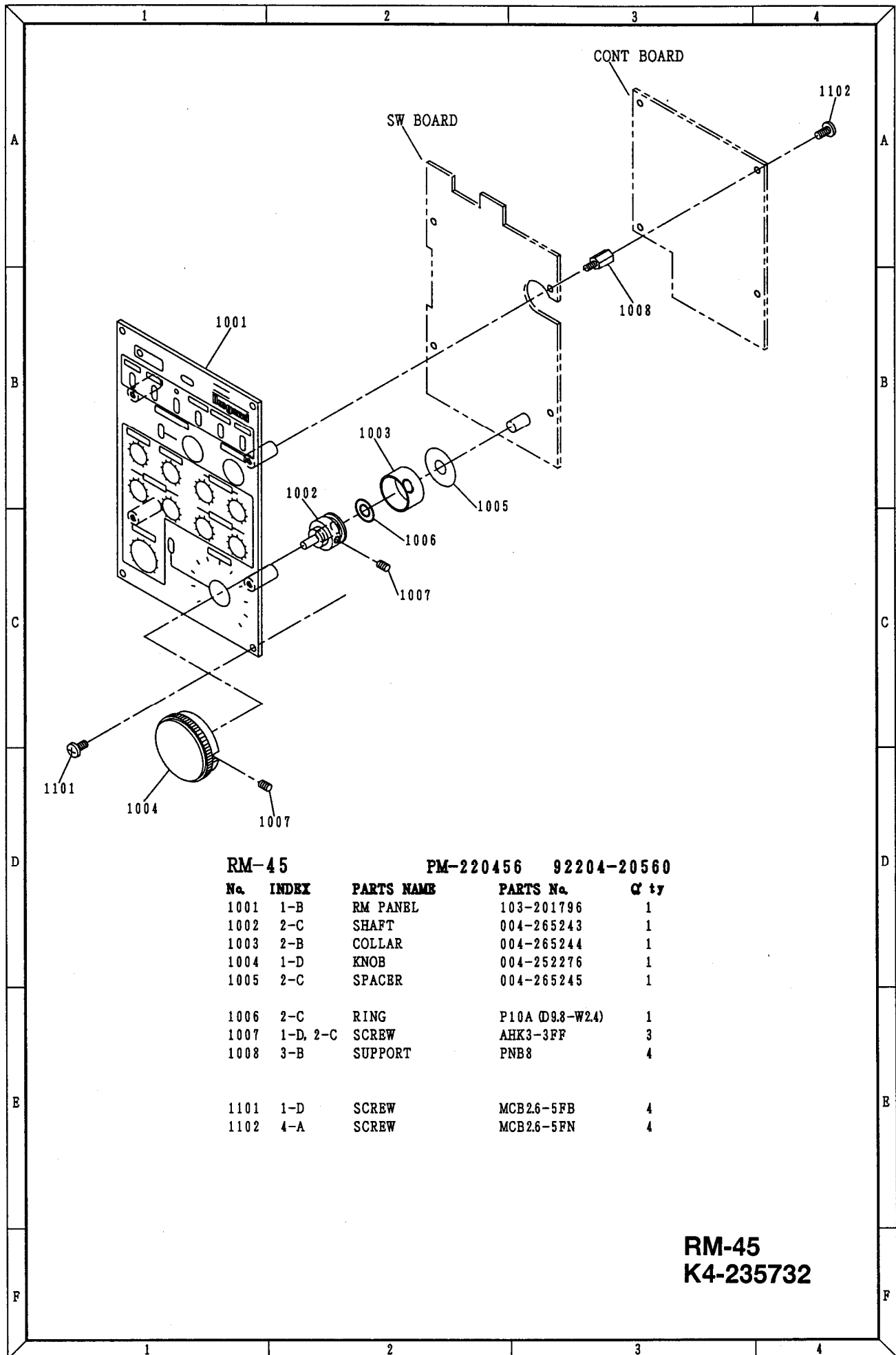


RMP-45

PM-220453 92204-20530

| No. | INDEX | PARTS NAME | PARTS No. | Q'ty |
|------|----------|------------|------------|------|
| 1001 | 2-A | RMP PANEL | 103-201784 | 1 |
| 1002 | 3-A | RMP COVER | 103-201785 | 1 |
| 1003 | 1-C | RM BLK | 104-201786 | 1 |
| 1004 | 1-C | SCREW | M4-284745 | 2 |
| 1005 | 1-B | WASHER | M4-286448 | 2 |
| 1006 | 2-B | SUPPORT | PNC8 | 2 |
| 1101 | 1-D | SCREW | MCB2.6-6FB | 4 |
| 1102 | 4-A, 4-B | SCREW | MCB3-5FN | 4 |

**RMP-45
K4-235731**



RM-45

PM-220456 92204-20560

| No. | INDEX | PARTS NAME | PARTS No. | Q'ty |
|------|----------|------------|------------------|------|
| 1001 | 1-B | RM PANEL | 103-201796 | 1 |
| 1002 | 2-C | SHAFT | 004-265243 | 1 |
| 1003 | 2-B | COLLAR | 004-265244 | 1 |
| 1004 | 1-D | KNOB | 004-252276 | 1 |
| 1005 | 2-C | SPACER | 004-265245 | 1 |
| 1006 | 2-C | RING | P10A (D9.8-W2.4) | 1 |
| 1007 | 1-D, 2-C | SCREW | AHK3-3FF | 3 |
| 1008 | 3-B | SUPPORT | PNB8 | 4 |
| 1101 | 1-D | SCREW | MCB26-5FB | 4 |
| 1102 | 4-A | SCREW | MCB26-5FN | 4 |

**RM-45
K4-235732**