

TECHNICAL BULLETIN

Ikegami

37 Brook Avenue, Maywood, New Jersey 07607 • (201) 368-9171

Date: 12/22/10
Engineer: Larry Cuccio
Page: 1 of 3

To: Distribution

Product: HDL-50/51

Symptom: The OCP will show the lens extender indicator on continuously when the lens extender is off, or even if there is no lens connected. This condition can occur when a Fujinon serial-type lens is connected or disconnected from the camera when the camera is powered. This would cause IC33 on the camera MPU Module to fail, which would put an unwanted +12V on the extender answering line, causing the panel to indicate that the lens extender is on.

Purpose of Modification: To prevent a false condition by protecting IC33 from failing.

[Factory Document No. TC10-10293]
HDL-50/51 MPU Board Modification

[Wiring Instructions]

1. Cut the printed wiring pattern near the pin#7 of IC33.
(See the Fig 1 and Fig.2 below)
2. Wire a resistor 2200 ohms between pin # 7 of the IC33 and the hole located at the end of the above printed pattern, one end of the resistor at the hole and the other end at the pin#7 of IC33. (See the Fig. 2 and Fig. 3 below)



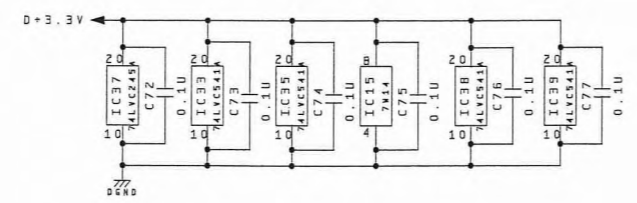
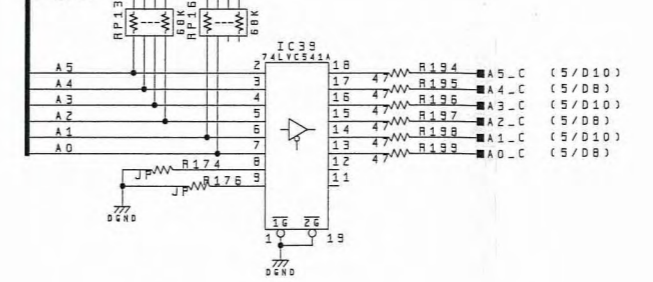
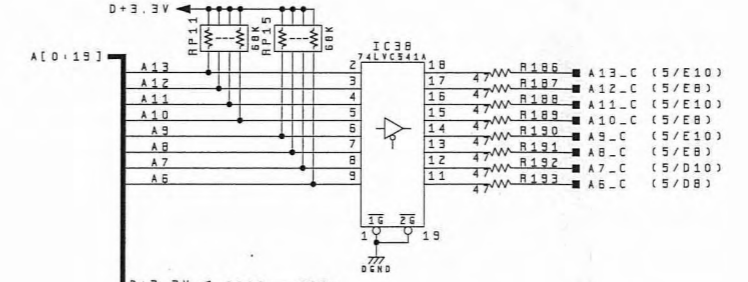
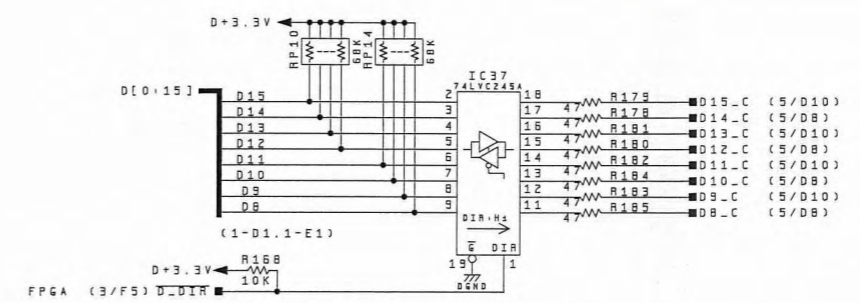
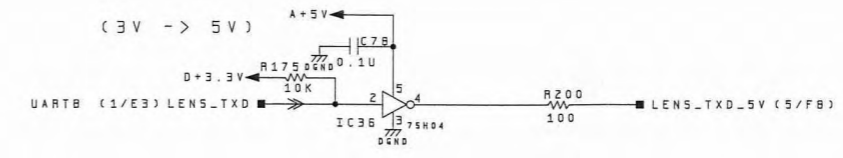
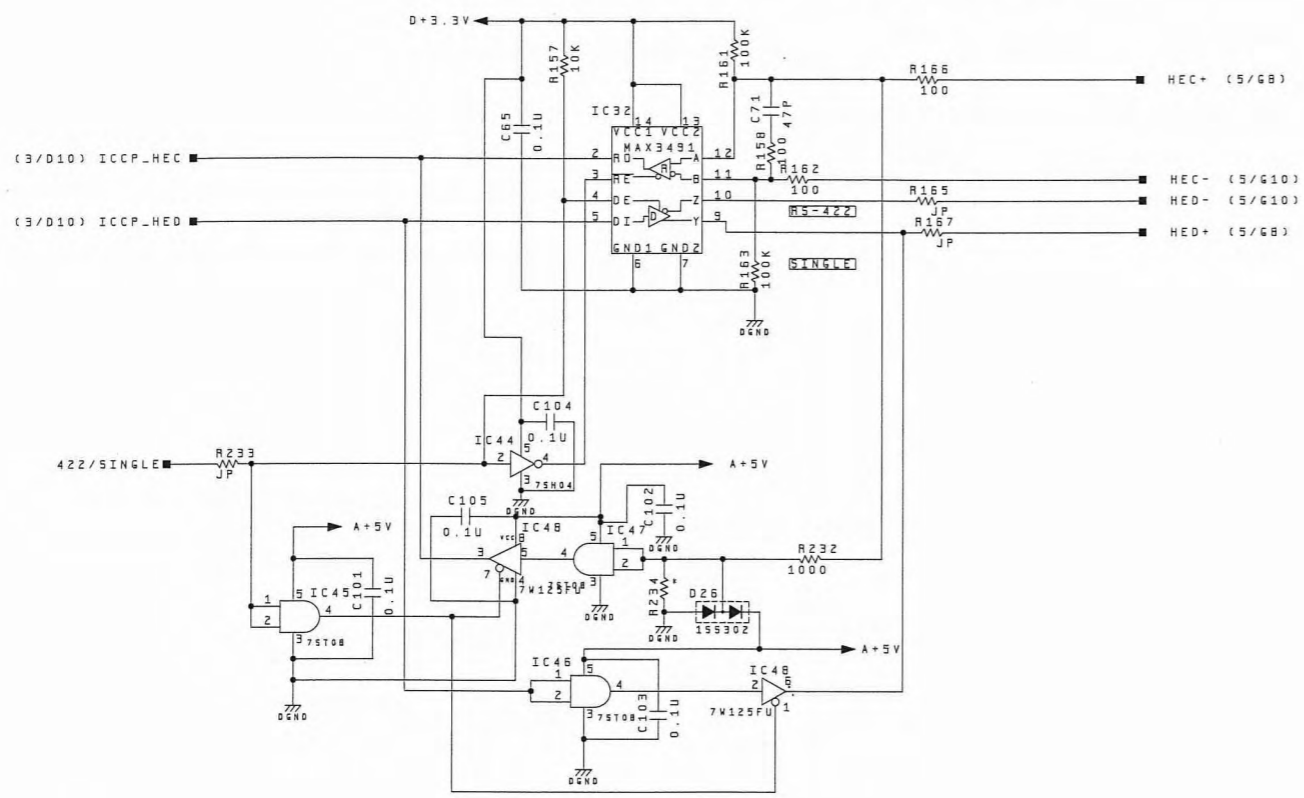
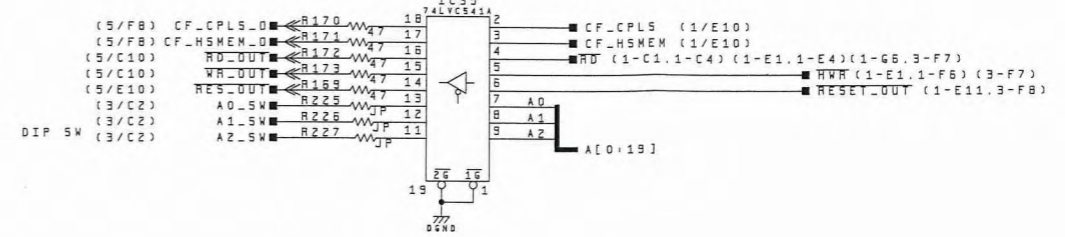
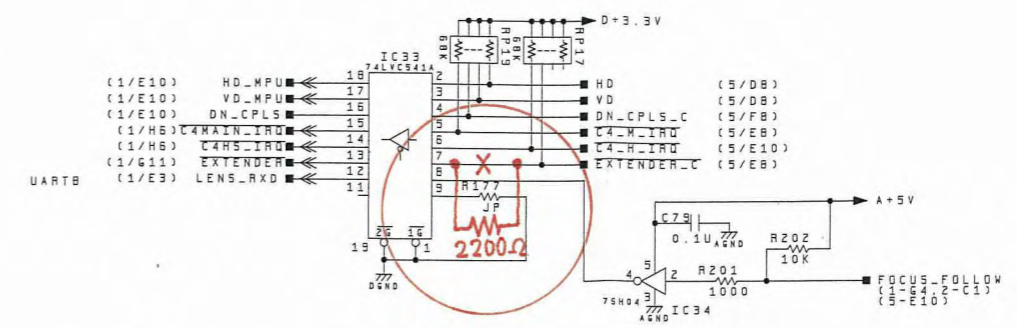
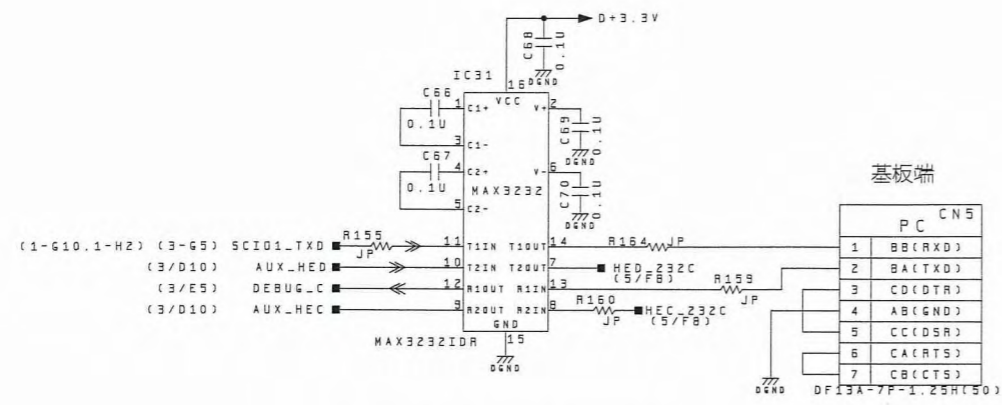
Fig. 1 IC33 area



Fig.2 The through-hole and the point to be cut on the printed wiring pattern coming from pin# 7 of IC33



Fig. 3 After the wiring, glue the parts (The factory uses the "Super-X" glue)



Ikegami F:\NAME\PP-40C-2 P-1151 PP-228002 PCB-No: P5911T		Approved by	Checked by	HDL-50 TITLE C MPU SCHEMATIC (4/5) WORK No.	
		Drawn by T.YAMAMURA 05.09.29	05.09.29		DVG No. C3-246423
NOTE P:10-12 M:10-3 N:10-9 K:10-3 U:10-9 MEG:10-6		Drawn by T.YAMAMURA 05.09.29	05.09.29	DVG No. C3-246423	REV. 2