

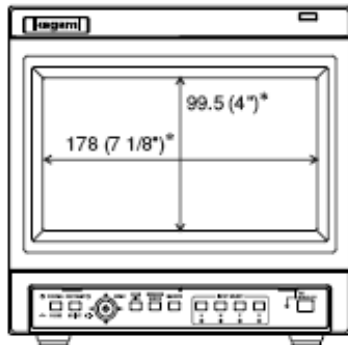
# HTM9-1D Monitor

## External Appearance and Dimensions

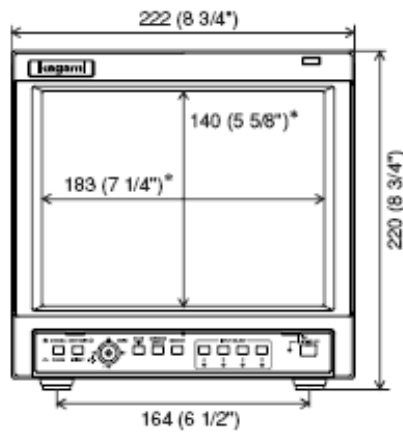
### ■ Dimensions

Unit : mm (inch)

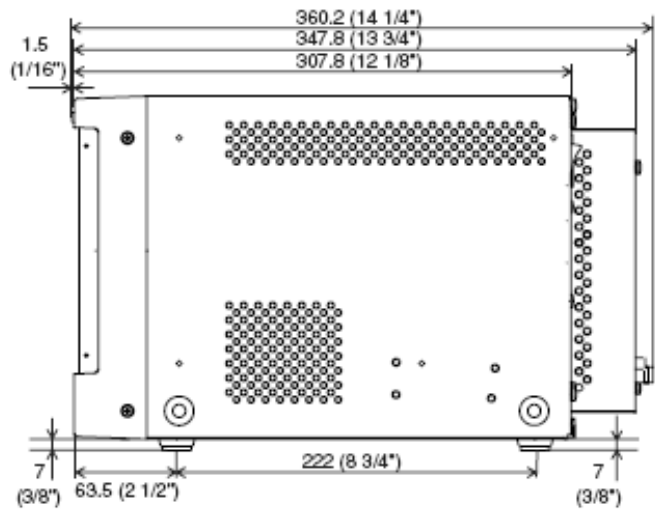
Front View  
(with the wide mask attached)



Front View

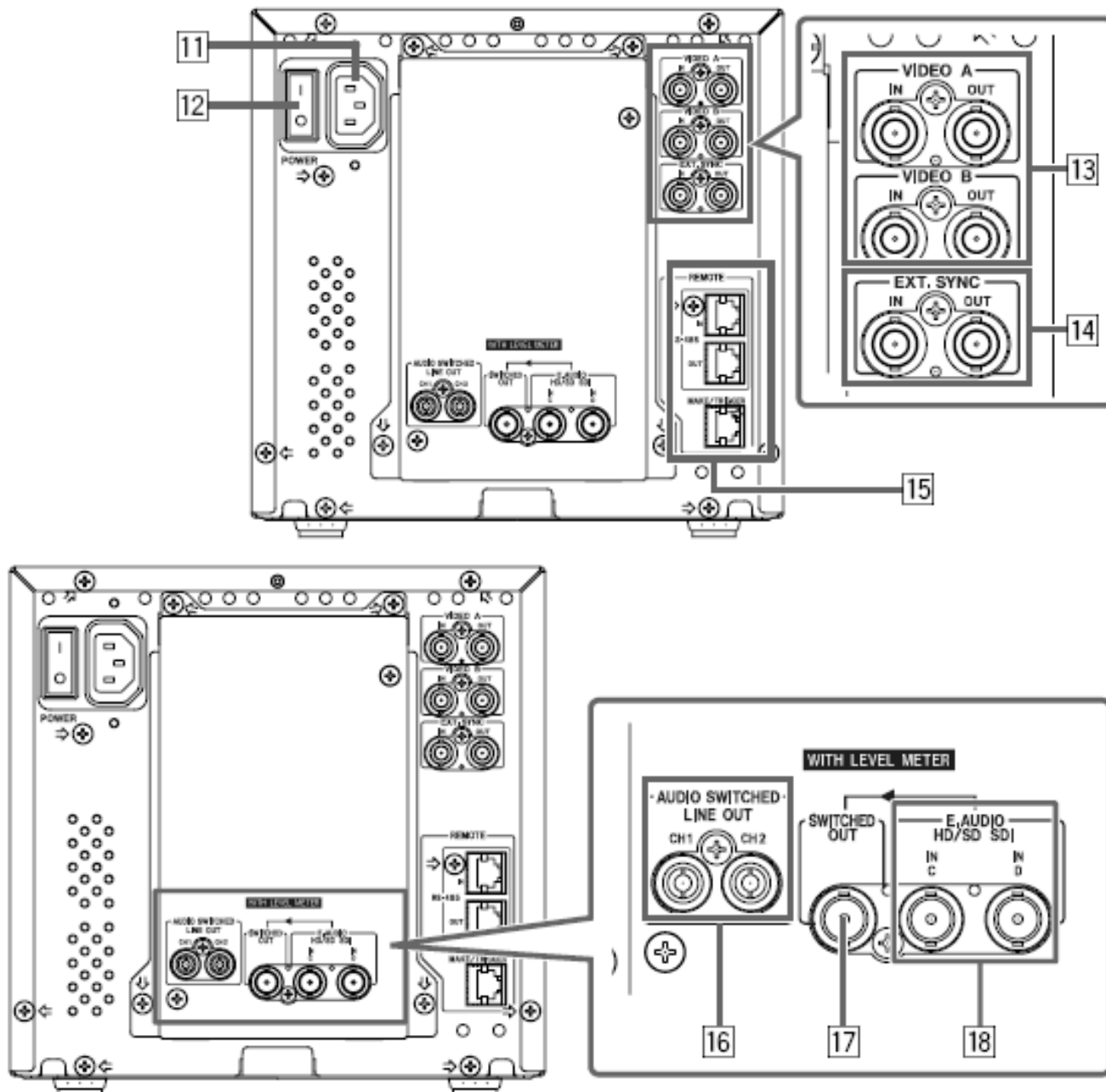


Side View



Asterisks(\*) are used to indicate front panel dimensions.

# Rear Panel



## HTM9-1D Monitor Rear Panel

[13] Composite signal input / output terminals (VIDEO A, VIDEO B)

[14] External synchronized signal input / output terminals (for both VIDEO A, VIDEO B)

[15] REMOTE (external control) terminals (RS-485 IN terminal, RS-485 OUT terminal, MAKE/TRIGGER terminal)

[16] Audio output terminals (2 lines)

[17] SWITCHED OUT terminal (1 line)

[18] HD-SDI / SD-SDI, embedded audio signal input terminals (IN C, IN D)