

Hyper-Dynamic, High Resolution  
Mini Color Cube Camera

**KIT-ISD-A12 TYPE31-ID**

**KIT-ISD-A12 TYPE92-ID**



**HYPER<sup>®</sup>  
HD  
DYNAMIC**

This is Ikegami's new Hyper Wide Light Dynamic Range Camera line to replace the well-known ISD-A10 Camera. It employs 1/3-inch DPS (Digital Pixel System) and a built-in vari-focal lens which is available in Type31 (2.9mm ~ 10mm) or Type92 (9mm ~ 22mm). It is designed for ATM, Banks and general purpose CCTV system applications.

## Features

- 1/3" Pixim DPS Sensor is employed.
- Horizontal Resolution 480TV Lines
- Over 95dB Hyper Wide Light Dynamic
- NTSC or PAL Selectable in menu
- S/N Ratio 50dB or better
- Built-in Vari-Focal Lens (Pre-adjusted focus):
  - Type31: 2.9mm~10mm
  - Type92: 9mm~22mm
- Intelligent AGC Auto Gain Control System
- Automatic White Balance (ATW)
- Indoor Use
- Smart DNR-Digital Noise Reduction
- OSD Menu Settings (using Optional Control Board)
- DC12V Power (Optional AC24V-DC12V Adaptor)
- Various Options
  - ACDC2412-300MA: AC24V - DC12V Adaptor
  - ISD-A12-OP-1: Remote Control Board
  - CMB-1W: Universal Metal Bracket

# KIT-ISD-A12 TYPE31-ID or KIT-ISD-A12 TYPE92-ID

## Specifications

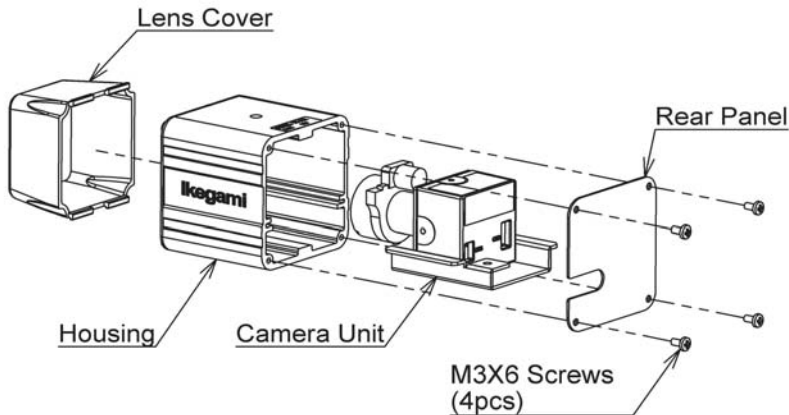
Device:	1/3" DPS CMOS Sensor
Effective Pixels:	720(H) x 540(V) Approx 390,000pixels
Scanning System:	NTSC: 525 lines/59.9Hz 2:1 Interlaced PAL: 625 lines/50Hz, 2:1 Interlaced
Sync Method:	Internal Sync (Crystal Lock)
Video Output:	VBS 1.0Vp-p/75ohms
Horizontal Resolution:	480TV lines
S/N Ratio:	50dB (p-p/rms) or more
Minimum Illumination	KIT-ISD-A12 TYPE31: 0.6 Lux KIT-ISD-A12 TYPE92: 0.9 Lux
WDR Function:	Provided (*)
AGC:	On/Off Selectable(*)
Electric Sensitivity Up:	On/Off Selectable(*)
White Balance:	ATW/ATWex./AWC/MANU(*)
Detail Correction:	Provided (*)
Noise Reduction	Provided (*)
Flicker Less Function	Provided (*)
Privacy Mask Function:	Provided (*)
Camera ID:	Provided (*)
Power:	DC12V +/-10%
Power Requirement:	DC12V, Approx. 2.1W/180mA
Temperature:	-13.5 F to +122 F
External Dimensions (WHD):	Approx. 2-13/32 x 2-31/64 x 3-15/32 inch
Weight:	Approx. 10 oz

(\*): Using Optional Remote Control Board ISD-A12-OP-1.

Specifications are subject to change without notice.

### ■KIT-ISD-A12 TYPE31-ID

Exploded View:



### ■PKIT-ISD-A12 TYPE31-ID

No Front Lens Cover



# Ikegami

## IKEGAMI ELECTRONICS (U.S.A.), INC.

URL <http://www.ikegami.com>

**HEADQUARTERS  
WESTCOAST OFFICE**

37 Brook Avenue, Maywood, NJ 07607 Phone (201)368-9171 Fax (201)569-1626  
2631 Manhattan Beach Blvd., Redondo Beach, CA 90278  
Phone (310)297-1900 Fax (310)536-9550

**SOUTHWEST OFFICE  
MIDWEST OFFICE  
SOUTHEAST OFFICE**

Phone (972)869-2363  
Phone (614)834-1350  
Phone (954)735-2203