



**Cost Effective High Performance,
10-Inch Color CRT Video Monitor**

VCM-903



Features

- Horizontal Resolution more than 300TVL
- Video A/B (BNC Connectors), Loop-Through
- Composite NTSC or PAL Auto Select
- Front Controls - Phase, Chroma, Brightness & Contrast
- Comb Filter
- Color Temperature 6500K
- On Screen Menu Adjustment
- Rackmountable (5U) using optional RK-101G
- Power AC 120V 60Hz or AC 230V 50Hz
- All Safety Standards (FCC, UL, RoHS)

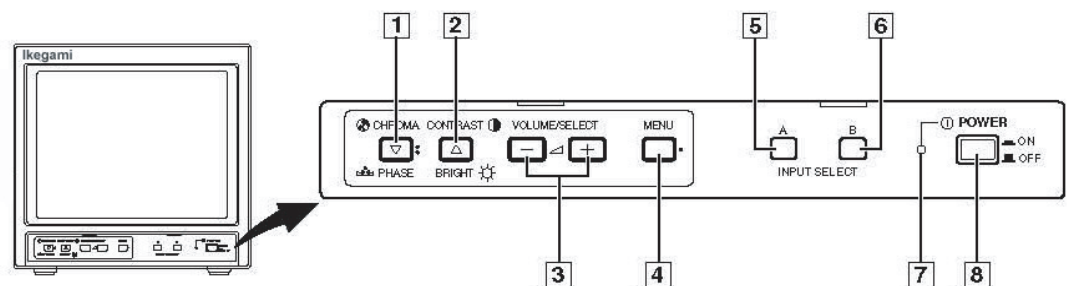
VCM-903 10-inch Size Color CRT Video Monitor

■ Specifications

CRT:	10" Size, In-line gun, Stripe pitch 0.5mm	CRT Screen Size:	9" diagonally measured
Horizontal Resolution:	300TV lines at center	Cabinet:	Dark Grey, Plastic
Color Temperature:	6500 K	Dimensions:	8-3/4"(W) x 8-3/4"(H) x 12-1/2"(D) 222(W) x 220(H) x 316.3(D)mm
Input Signal:	NTSC/PAL, Auto select, 1.0Vp-p, 75ohms	Weight:	15.0 lbs (6.8kg)
Input Connectors:	BNC (Video A & B)	Ambient Temperature:	0 ~ +40 Degree C (+32 ~ +104 Degree C)
Input Impedance:	75ohms or high (loop through)	Option:	RK-101G Rack Mount Kit (5U)
Power Requirements:	AC120V or AC230V, 60Hz/50Hz		
Power Consumption:	0.61A (AC120V), 0.43A(AC230V)		

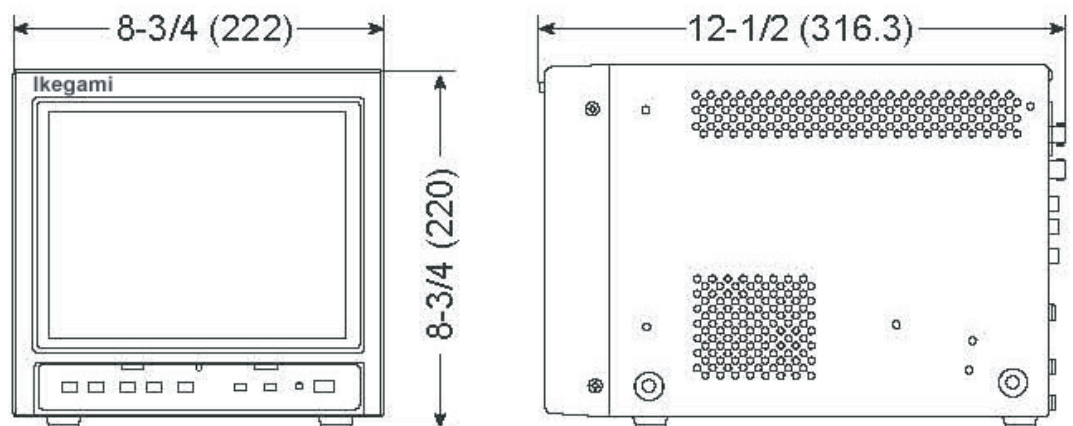
*Design and specifications subject to change without notice.

■ Front Controls



- ①CHROMA/PHASE Button ②CONTRAST/BRIGHTNESS Button ③SELECT Button ④MENU Button ⑤INPUT A Button
⑥INPUT B Button ⑦Power Indicator ⑧Power Switch

■ External Dimensions



Ikegami

IKEGAMI ELECTRONICS (U.S.A.), INC.

Catalog No. 12709

URL <http://www.ikegami.com>

**HEADQUARTERS
WESTCOAST OFFICE**

37 Brook Avenue, Maywood, NJ 07607 Phone (201)368-9171 Fax (201)569-1626
2631 Manhattan Beach Blvd., Redondo Beach, CA 90278
Phone (310)297-1900 Fax (310)536-9550

**SOUTHWEST OFFICE
MIDWEST OFFICE
SOUTHEAST OFFICE**

773 Bearden Road, Waxahachie, TX 75167 Phone (972)869-2363 Fax (972)556-1057
747 Church Road, Unit C1, Elmhurst, IL 60126 Phone (630)834-9774 Fax (630)834-8689
5200 N.W. 33rd Avenue, Suite 111, Fort Lauderdale, FL 33309
Phone (954)735-2203 Fax (954)735-2227