

IKEGAMI

The CTS Series

CTS-2 CTS-8 CLS-4
CTS-4 CTS-16 CLS-8
CLTS-4 CLTS-8

Instruction Manual



Thank you very much for purchasing one of our products. Please read this manual before using the this product. When using this product, always follow the instructions contained in this manual, and pay close attention to the safety information.

WARNING!

Do not expose this product to water, rain or moisture.

Doing this can result in electric shock or fire.

Never take this product apart or try to modify it.

Doing so is very dangerous and could result in electric shock.

Do not store this product near open flame.

Do not use this product near open flame or place lit or flammable items, such as candles, incense, ect., on it.

Do not place any containers filled with water or other liquids near this product.

Doing so could result in fire or electric shock if the liquid spills and enters the product or gets it wet. If a liquid spills near this product, unplug the product immediately.

Do not remove or insert the power supply with wet hands.

Doing so could result in electric shock.

Do not use the power supply in any of the following ways. Doing so could result in fire or electric shock.

Modifying or heating the power cable

Damaging the power cable

Bending or tugging on the power cable unnecessarily

Knotting or kinking the power cable

setting heavy objects on the power cable

When moving this product , first unplug the power supply from the outlet. Do not tug the cable or move this product with the power supply plugged into the outlet.

Doing so could damage the cable, possibly resulting in fire or electric shock.

To reduce the risk of electric shock, do not remove the cover.

No parts inside the product can be serviced by the user. If your product needs service contact

Ikegami Electronics at (201) 368-9171.

Usage Environment

Avoid using or storing this product in areas such as those listed below. Doing so could damage the product or cause it to malfunction.

Areas exposed it heat or flames

Humid areas and areas where water is used

Handling this product

Do not drop or apply a strong force to this product or any included or connected parts.

Do not spill liquids around or inside this product or drop flammable objects around or inside it.

Power Supply

Only use the supplied power supply which is designed specifically for this product.

Do not allow the plug to come into contact with metal or water.

This Product is not designed for contact medical use

Do not use this product for medical applications that could result in patient contact.

Each switcher kit should contain each of the following items:

Instruction sheet
Power Pack
Switcher

- 1) Connect the power supply to the switcher by pushing the power connector into the rear of the switcher until it can go no further.
- 2) Plug in the power pack to a 115VAC source. Turn on the switcher by rotating the "Scan Rate" Knob to the right. The speed at which the channels are selected is adjusted by this knob.
- 3) **SCAN**; Place all of the switches in the center position. The LED's (lights) will sequence at the rate set by the knob.
- 4) **BYPASS**; By placing the switch up, that position will be skipped when the scan comes to that position.
- 5) **HOME**; Will freeze the scan to the selected position. If more than one position is selected, the higher number will be activated.

CTS-2: 2x1 Terminating Video only sequential switcher

CTS-4: 4x1 Terminating Video only sequential switcher

CLS-4: 4x1 Looping Video only sequential switcher

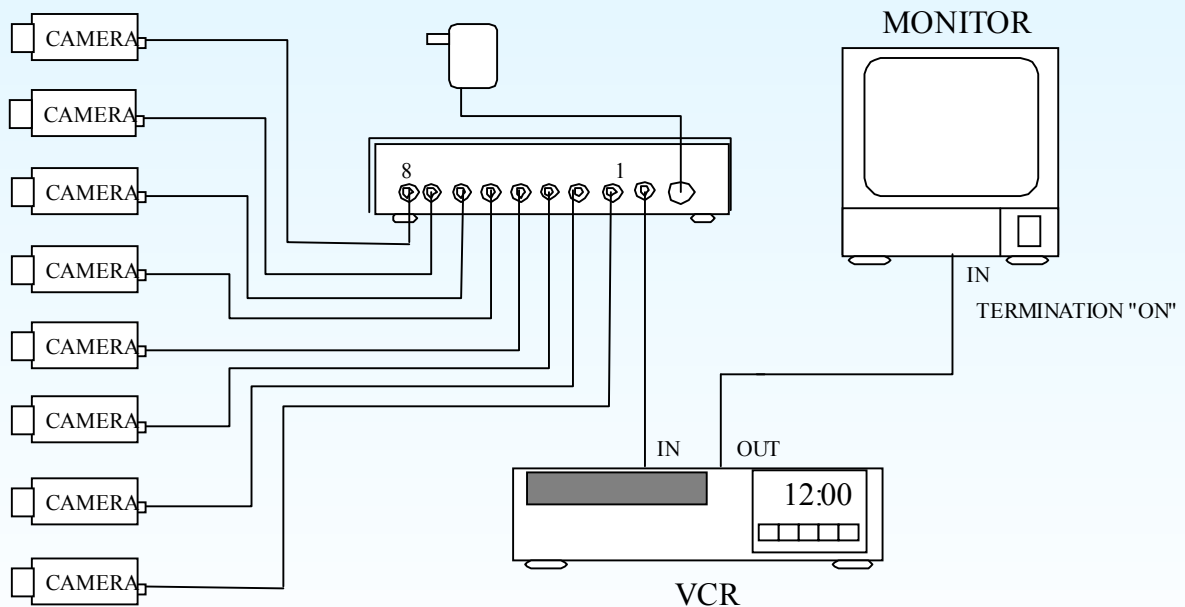
CLTS-4: 4x1 Looping with internal terminators Video only sequential switcher

CTS-8: 8x1 Terminating Video only sequential switcher

CLS-8: 8x1 Looping Video only sequential switcher

CLTS-8: 8x1 Looping with internal terminators Video only sequential switcher

SYSTEM CONNECTIONS:



CTS-8 SHOWN

Terminating/Looping Switchers:

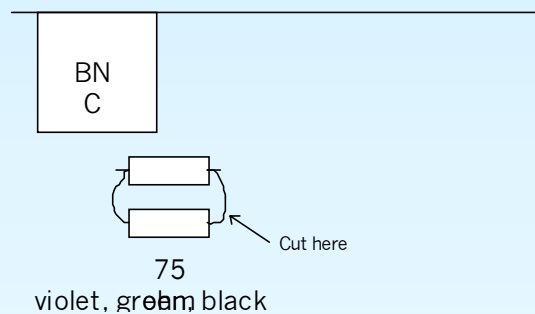
The CLTS-4 and CLTS-8 Looping/Terminating switchers are supplied with removable termination's. To activate the loop-thru feature you must:

First, disconnect the power and then remove the cover with the two side screws.

CLTS-4

At the rear of the upper row of BNC connectors you will see two resistors soldered together as shown in figure below.

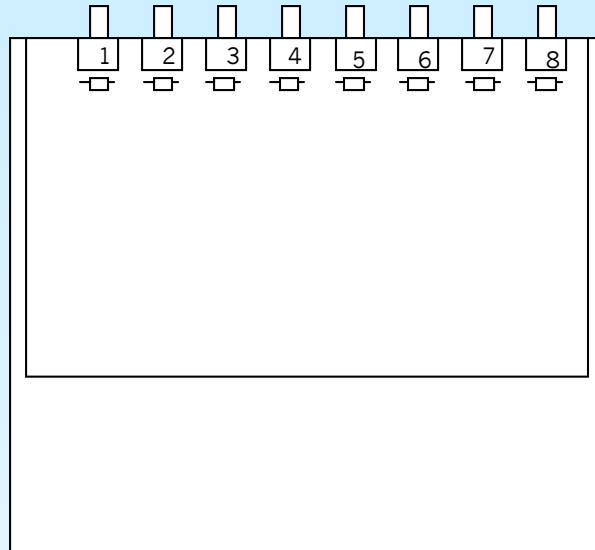
To remove the 75 ohm termination you must cut 1 lead of the resistor that is soldered to the other. This removes the termination on the one input. Each input has it's own resistor and must be cut if the looping feature is to be used on that input.



CLTS-8

To remove the termination from an input to the CLTS-8 sequential switcher please take the following steps:

1) Determine the input to be unterminated by using the diagram in figure 1.



FRONT

2) Cut the 75 ohm resistor on both sides and remove it. If more than one input is to be unterminated cut the additional resistors out.

3) Re-install the cover and replace the screws.

4) Reconnect the power supply.

Limited Warranty:

Ikegami warrants this product and all accessories provided with it to be free of defects in material and workmanship for a period of 5 years after the original date of purchase. This warranty does not cover damage to the product resulting from accident, misuse or modification.

How the warranty works

If this product, or any of the accessories supplied with it, become defective within the warranty period, Ikegami Electronics (USA). will at its discretion repair, or replace the product with an equivalent unit of equal or higher value without charge. Overland return transportation from Ikegami Electronics to the user is free of charge.

How to get service

Please contact Ikegami by phone for return authorization number and then return the defective unit, transportation prepaid and a dated proof of purchase to:

Ikegami Electronics (U.S.A)
37 Brook Avenue
Maywood, NJ 07607

Obtaining Technical Help/Service

Web Site: www.ikegami.com
Phone: (201) 368-9171
Fax: (201) 569-1626

In no event shall Ikegami Electronics Inc. be liable for Consequential Damages.

Some states do not allow exclusion or limitation of incidental or consequential damages, so the above limitation may not apply to you. This warranty gives you specific legal rights, and you may also have other rights which vary from state to state.