

IKEGAMI

Amplifiers

DA-14

DA-26

DA-112

DA-3400

DA-16

DA-43A

DA-1200

DA-6200

MDS-14

Instruction Manual



Thank you very much for purchasing one of our amplifiers. Please read this manual before using the amplifier. When using this product, always follow the instructions contained in this manual, and pay attention to the safety information.

WARNING!

Do not expose this product to water, rain or moisture.

Doing this can result in electric shock or fire.

Never take this product apart or try to modify it.

Doing so is very dangerous and could result in electric shock.

Do not store this product near open flame.

Do not use this product near open flame or place lit or flammable items, such as candles, incense, ect., on it.

Do not place any containers filled with water or other liquids near this product.

Doing so could result in fire or electric shock if the liquid spills and enters the product or gets it wet. If a liquid spills near this product, unplug the product immediately.

Do not remove or insert the power supply with wet hands.

Doing so could result in electric shock.

Do not use the power supply in any of the following ways. Doing so could result in fire or electric shock.

Modifying or heating the power cable

Damaging the power cable

Bending or tugging on the power cable unnecessarily

Knotting or kinking the power cable

setting heavy objects on the power cable

When moving this product , first unplug the power supply from the outlet. Do not tug the cable or move this product with the power supply plugged into the outlet.

Doing so could damage the cable, possibly resulting in fire or electric shock.

To reduce the risk of electric shock, do not remove the cover.

No parts inside the product can be serviced by the user. If your product needs service contact Ikegami Electronics (U.S.A.) Inc. at **(201)368-9171**

Usage Environment

Avoid using or storing this product in areas such as those listed below. Doing so could damage the product or cause it to malfunction.

Areas exposed it heat or flames

Humid areas and areas where water is used

Handling this product

Do not drop or apply a strong force to this product or any included or connected parts.

Do not spill liquids around or inside this product or drop flammable objects around or inside it.

Power Supply

Only use the supplied power supply which is designed specifically for this product.

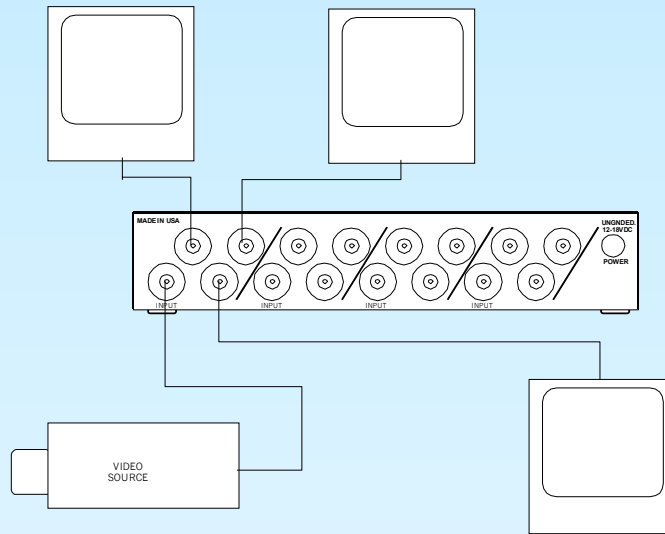
Do not allow the plug to come into contact with metal or water.

This Product is not designed for contact medical use

Do not use this product for medical applications that could result in patient contact.

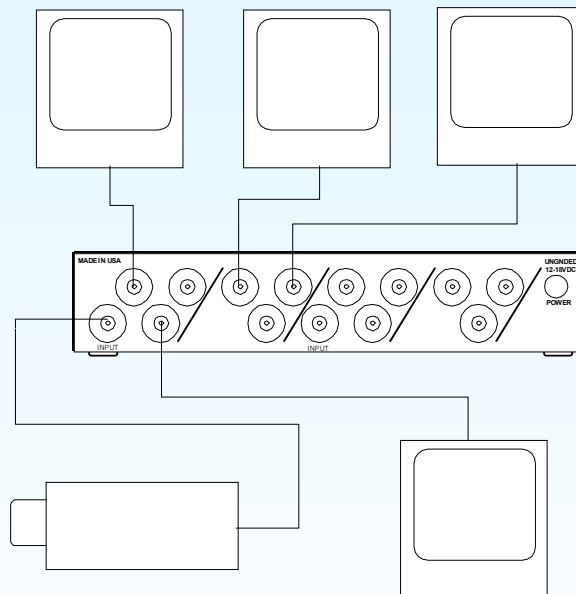
This manual covers the **DA-43** family, the **DA-43**, **DA-26** and the **DA-112**. It also covers the **DA-14/16** family and the **DA-3400** series distribution amplifiers.

Connections:



DA-43/DA-4300 (One channel shown used)

Any unused inputs and outputs can be left open and unterminated and will not affect the other signals being fed in and out of the unit.

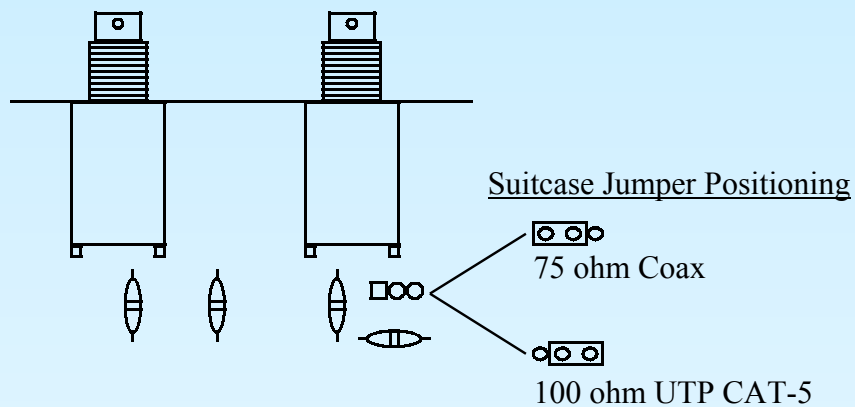


DA-26, DA-6200 (4 of 6 outputs used only)

DA-43A

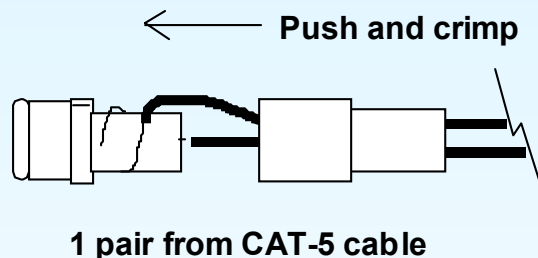
Setup options for suitcase jumper

There is one suitcase jumper located behind each input BNC



d) Reinstall the cover and connect the power.

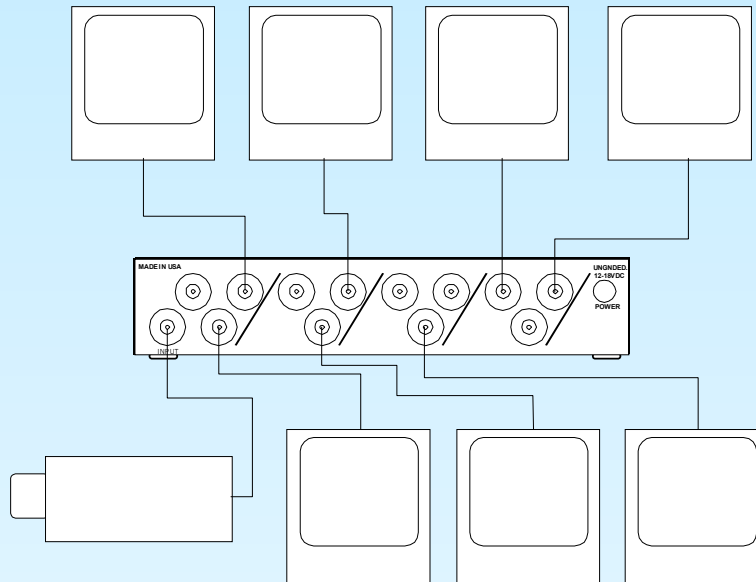
To Install a BNC connector on the CAT-5 cable:



Placement in system: The DA-43A should be placed as near the end of a system as possible.

- 1) Disconnect the feed from the camera at the end by the monitor, switcher or VCR. Connect the camera feed to DA-43A
- 2) input. Connect one output to your Monitor, switcher or VCR. and verify that the hum is reduced or eliminated.
- 3) Adjust the front panel video gain for the desired level

The **DA-26/DA-6200** has 2 one in and 6 out amplifiers. The unused input and outputs can be left open and unterminated with no affect on the signals on the other channels.



DA-112/DA-1200 (7 of 12 outputs shown used)

Trouble shooting: The input stage of the **DA-43** series distribution amplifiers is a differential type. This is used to minimize the potential for ground loops. This does not mean that there will not be ground loops in the system. The outputs to the monitors are all common and can create ground loop problems. The ground difference between the camera and the DA can be so great as to overcome the differential amplifiers capabilities.

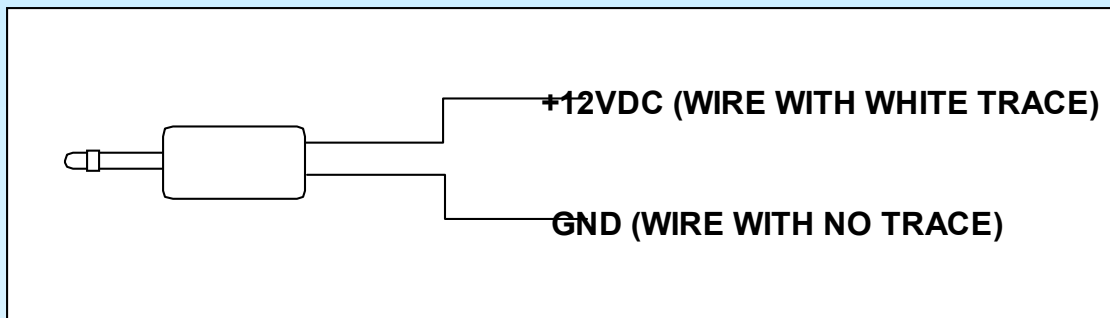
If a ground loop condition occurs: Disconnect all of the outputs of the DA except one. If the groundloop goes away and you get a clear picture, your problem is between the monitors and not the camera to DA feed. If the groundloop problem still exists with only one monitor, the Camera side groundloop problem is severe and a hum bucking transformer is recommended.

To solve the monitor side groundloop problem:

Most of the time the problem is on the cable that connects the furthest point. When testing for monitor side ground loops, leave this cable for last. Begin by connecting the closest monitor to a DA output. Then add a second monitor and check for ground loops. If there are none, disconnect the second cable, mark it as good and connect another monitor and again check for any problems. Continue checking each cable until all of the individual monitors have been checked. Now reconnect all of the monitors, one at a time and watch for the ground loop problem to appear. Usually you will find that the problem is caused by one feed only and by using a **DA-20** or a Hum bucking transformer at the monitor location, the problem will go away.

MDS-14/16 Series

WARNING! The DC power cannot be the from the same supply as the DC camera or video source. It must be from an isolated source. For units that can work with a common DC source use the MDS-12.



DA-14/16 Series:

The **DA-14** and the **DA-16** are 1 in and 4 out for the DA-14 and 1 in and 6 out for the DA-16. These DA's have a standard input terminated in 75 ohms. Any unused outputs can be left unterminated.

Limited Warranty:

Ikegami Electronics warrants this product and all accessories provided with it to be free of defects in material and workmanship for a period of 5 years after the original date of purchase. This warranty does not cover damage to the product resulting from accident, misuse or modification.

How the warranty works

If this product, or any of the accessories supplied with it, become defective within the warranty period, Ikegami Electronics (USA) Inc. will at its discretion repair, or replace the product with an equivalent unit of equal or higher value without charge. Overland return transportation from Ikegami Electronics (USA) Inc. to the user is free of charge.

How to get service

Please contact Ikegami by phone for return authorization number and then return the defective unit, transportation prepaid and a dated proof of purchase to:

Ikegami Electronics (USA) Inc.
37 Brook Avenue
Maywood, NJ 07607

Obtaining Technical Help/Service

Web Site: www.ikegami.com
Phone: (201) 368-9171
Fax: (201) 569-1626

In no event shall Ikegami Electronics. be liable for Consequential Damages.

Some states do not allow exclusion or limitation of incidental or consequential damages, so the above limitation may not apply to you. This warranty gives you specific legal rights, and you may also have other rights which vary from state to state.