

ICD-38

HIGH PERFORMANCE B/W CAMERA

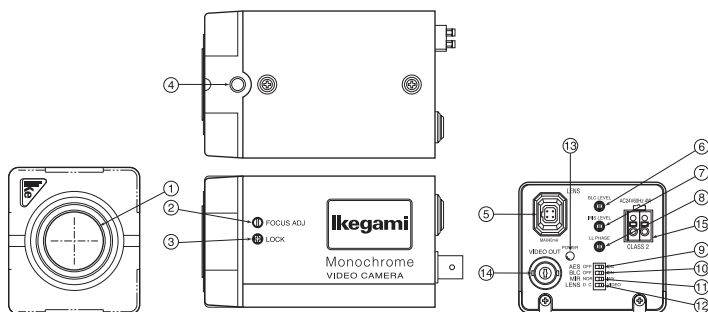


Features

- High sensitivity and high resolution**
 The 250,000 pixel, high-sensitivity on-chip micro lens CCD and high-performance AGC circuit are incorporated to provide for the resolution of 380 horizontal lines and the minimum subject illumination of 0.1 lux/F1.4.
- Automatic electronic shutter control (AES)**
 High-speed electronic shutter has automatic electronic shutter control for a wide range. Even with a fixed iris lens in use, the video output is stable and equivalent to that with an automatic iris lens of F1.4 thru F60.
- Backlight compensation**
 The backlight compensation circuit is built in to give sharp pictures even in a back-lit scene, using the AES or an automatic iris lens.
- 2-way automatic iris function**
 Selector switch for a video iris lens and a DC iris lens enables use of most types of CCTV automatic iris lenses.
- Mirror image**
 The mirror image selector to invert the right and left of an image. Indirect monitor shooting with a mirror or inverted images made with a prism lens can be brought back to normal.
- The flange focal distance adjustment mechanism facilitates focus tracking when using a zoom lens.

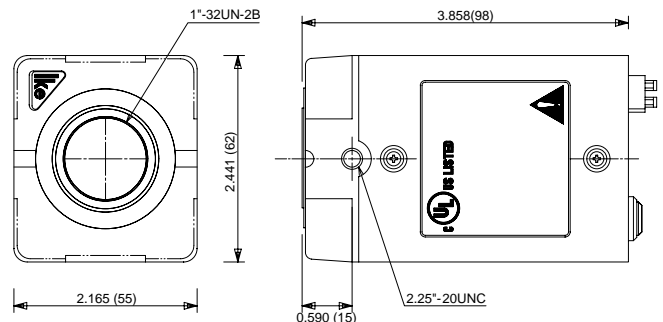
Parts and Functions

- Lens mount (CS mount)
- Flange focal distance adjuster
- Flange focal distance lock screw
- Holder mounting screw holes
- Auto iris connector
- Backlight compensation level control (BLC LEVEL)
- Iris level control (IRIS LEVEL)
- Line lock phase control (LIL PHASE)
- AES selector switch (AES)
- Backlight compensation selector switch (BLC)
- Mirror image selector switch (MIR)
- Lens selector switch
- Power indicator (POWER)
- Video output connector (VIDEO OUT)
- AC24V power input terminal



Specifications

Imaging Device:	1/3" Interline Transfer CCD
No. of Effective Picture Elements:	Approx. 250,000 pixels, 512 (H) and 492 (V) lines
Sensing Area:	4.8 (H) x 3.6 (V) mm
Horizontal Resolution:	380 lines
Minimum Illumination:	0.07 lux/F1.2 (30 IRE) 0.35 lux/F1.2 (50 IRE)
S/N Ratio:	48 dB/rms or better (at rated illumination)
TV System:	EIA, 2:1 interlace
Sync System:	Line lock (phase adjustable)
Video Output:	VS 1.0Vp-p/75 Ω
AES:	Provided (on/off), AES range 1:1600
Backlight Compensation:	On/Off, with level control
Mirror Image:	Provided (NOR/INV switchable)
Auto Iris Function:	Video iris/DC iris
Flange Focal Distance Adjustment Function:	Provided
Lens Mount:	CS mount
Camera Mount:	1/4"-20UNC (top and bottom mounting)
Ambient Operating Temperature:	-10 to +50°C
Power Supply:	AC24V ±10%, 60Hz
Power Consumption:	Approx. 4W
Input/Output Connectors:	<ul style="list-style-type: none"> Video output; BNC AC24V input; 2-pin terminal block Lens; 4-pin (applicable plug; E4-191J-100 or equivalent option)
Outer Dimensions (WxHxD):	2.44" x 2.17" x 3.86" (62 x 55 x 98 mm) (projections and accessories not included)



Weight:	Approx. 540g (19.0 oz)
Accessories:	Operation manual, 1 copy
Optional:	Lens connector plug E4-191J-1 00 or equivalent 1 pc