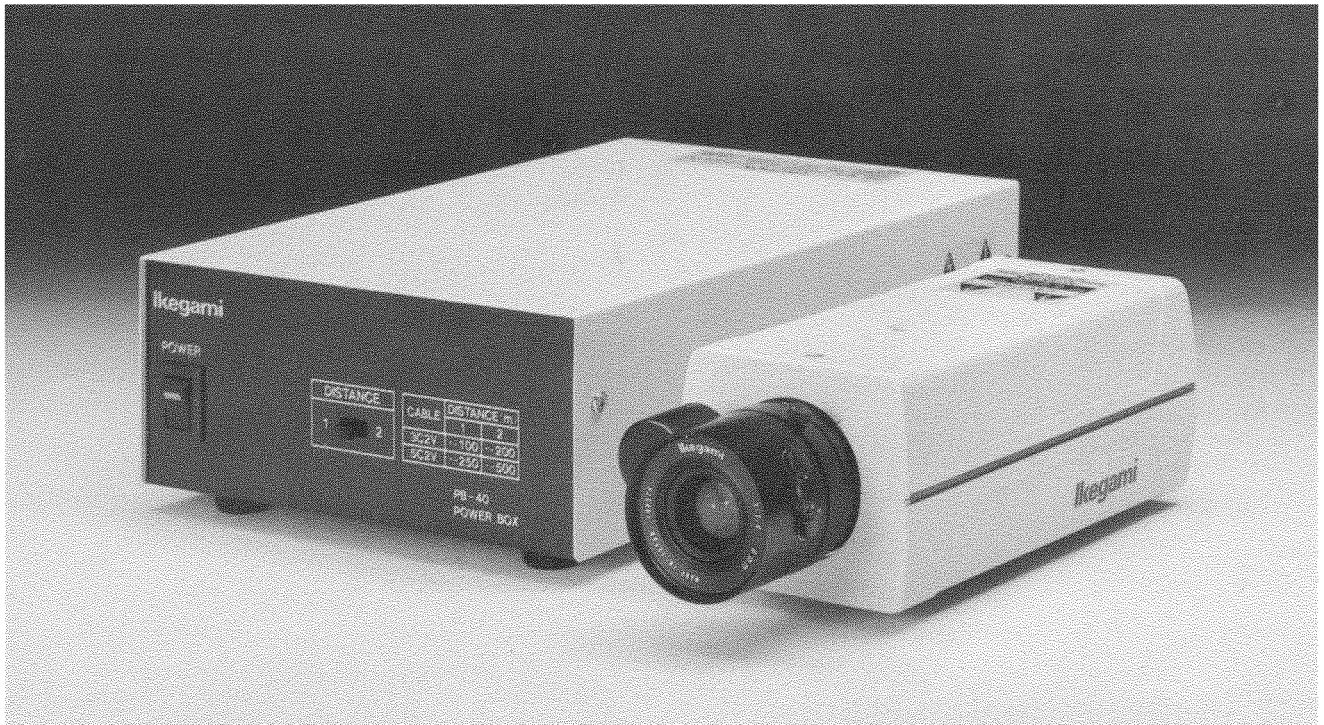


## Single Coaxial Cable Connection

# ICD-40VP

### 1/2" CCD Black & White Video Camera



- High 425 TV line resolution
- Industrial diecast aluminum housing
- Utilizes single coaxial cable connection for both video and power
- PB-40 Power Box is line-locked to produce roll-free video
- Camera accepts low-cost CS mount lenses. Optional CMA-40 adaptor available for C-mount lenses
- Cable compensation switch on PB-40 allows for cable distance adjustment.
- UL Listed

The ICD-40VP camera features a 1/2" solid state CCD chip. LSI chips and surface mount technology (SMT) are utilized in the manufacture of this camera. Horizontal resolution is 425 TV lines. The ICD-40VP camera operates directly via a single coaxial cable from the PB-40 power box. A CS type lens mount and auto-iris connector are standard.

This camera offers a reliable, inexpensive solution to your CCTV camera requirements with the added benefit of having both power and video on a single cable.

# ICD-40VP

Single Coaxial Cable Connection  
1/2" CCD Black & White Video Camera

## Specifications

<b>Pickup Device</b>	1/2" Interline transfer CCD	
<b>Picture Element</b>	570(H) × 485(V), 280,000 pixels	
<b>Sensing Area</b>	6.5 mm(H) × 4.85 mm(V)	
<b>Scanning System</b>	525 lines/60Hz, 2:1 interlace	
<b>Sync. System</b>	External sync. (V. Sync PLL) by multiplex system	
<b>Frequency</b>	Horizontal 15.75kHz Vertical 60Hz	
<b>Video Output</b>	Exclusive multiplex signal (Incl. video, power supply and sync. signal)	
<b>Video Output Load Impedance</b>	75Ω	
<b>Resolution</b>	Horizontal 425 TV lines Vertical 350 TV lines	
<b>Signal-to-Noise Ratio</b>	46dB(p-p/rms) or better	
<b>Illumination</b>	Device face	*Object
Full Video	4.5 lux (0.42 fc)	45 lux (4.2 fc)
Usable Video	0.15 lux (0.014 fc)	1.5 lux (0.14 fc)
*Measuring condition: Lens F1.4, Object reflectance 89%		
<b>AGC</b>	Built-in	
<b>Gamma</b>	Approx. 0.45	
<b>Peak White Clipper</b>	Built-in	
<b>Auto Iris Function</b>	Video signal and DC power supply connector provided as standard Multiplex system; requires dedicated power supply box PB-40 and single coaxial cable	
<b>Power Supply</b>	Approx. 300mA	
<b>Power Consumption</b>	-10°C~+50°C (13.6°F~122°F)	
<b>Ambient Temperature</b>	CS-mount, C-mount adaptor is Optional	
<b>Lens Mount</b>	1) MPX (Video, Power supply, Sync signal); BNC	
<b>Connector</b>	2) Auto-iris; R05-R3F	
<b>Dimensions (WHD)</b>	70 × 60 × 160 mm (2.76 × 2.36 × 6.3 inches)	
<b>Weight</b>	Approx. 650g (Approx. 1.4 lbs.)	

## Standard Configuration

- Model ICD-40VP B/W CCD Camera ..... 1 unit
- Accessories
  - 1) Connector plug for auto iris lens R05-PB3M ..... 1 pc.
  - 2) Instruction manual ..... 1 vol.

## PB-40

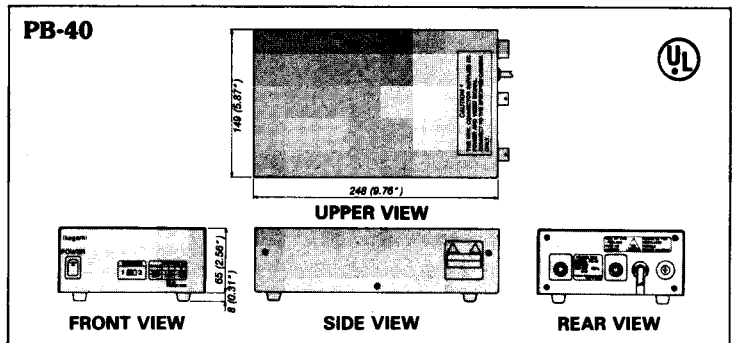
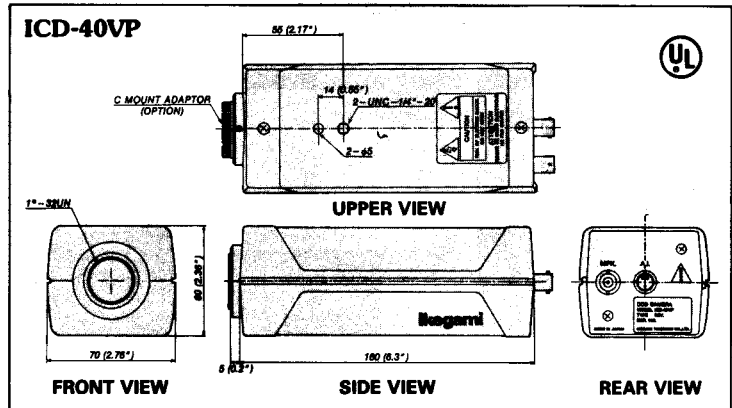
The PB-40 is specifically designed for use with the TV camera model ICD-40VP. (supplied separately)

## Specifications

<b>Video Input</b>	Exclusive multiplex signal from camera (Incl. video, power supply and sync signal)	
<b>Video Output</b>	VS 1.0 Vp-p	
<b>Video Output Impedance</b>	75Ω	
<b>Maximum Cable Length:</b>	"1"	"2"
"Distance" Switch Position		
Coax. Cable 3C-2V: (RE-59U)	100m (328.1ft)	200m (656.2ft)
Coax. Cable 5C-2V: (RE-6U)	250m (820.2ft)	500m (1640.4ft)
<b>Power Supply</b>	117V AC±10%, 60Hz	
<b>Power Consumption</b>	Approx. 17W	
<b>Ambient Temperature</b>	-5°C~+45°C (23°F~113°F)	
<b>Connector</b>	TV camera (MPX); BNC TV monitor (VIDEO OUT); BNC	
<b>Dimensions (WHD)</b>	149 × 65 × 248 mm (5.87 × 2.56 × 9.76 inches)	
<b>Weight</b>	Approx. 2kg (Approx. 4.4 lbs.)	
<b>Accessories</b>	Instruction manual 1 vol.	

## Dimensions

Unit: mm (inch)



Design and specifications are subject to change without notice.



## Ikegami IKEGAMI ELECTRONICS (U.S.A.), INC.

<b>HEADQUARTERS</b>	37 BROOK AVENUE, MAYWOOD, NJ. 07607	Phone: (201) 368-9171	Fax: (201) 569-1626	Tlx: 219034 ITCNJ UR
<b>NORTHEAST OFFICE</b>	29 BROOK AVENUE, MAYWOOD, NJ. 07607	Phone: (201) 368-9171	Fax: (201) 569-1626	
<b>WEST COAST OFFICE</b>	23105 KASHIWA COURT, TORRANCE, CA. 90505	Phone: (310) 534-0050	Fax: (310) 329-9582	
<b>SOUTHWEST OFFICE</b>	THREE DALLAS COMMUNICATIONS COMPLEX, 6309 NORTH O'CONNOR ROAD, SUITE 117, IRVING, TX 75039-3510	Phone: (214) 869-2363	Fax: (214) 556-1057	
<b>MIDWEST OFFICE</b>	747 CHURCH ROAD, UNITS C4 & C5 ELMHURST, IL. 60126	Phone: (708) 834-9774	Fax: (708) 834-8689	
<b>SOUTHEAST OFFICE</b>	5100 N.W. 33RD AVENUE, SUITE #152 FORT LAUDERDALE, FL 33309	Phone: (305) 735-2203	Fax: (305) 735-2227	