

Ikegami

INSTRUCTION MANUAL

MODEL: PM-127A

12-INCH B/W PICTURE MONITOR

OUTDOOR USE WARNING

**WARNING – TO PREVENT FIRE OR ELECTRIC SHOCK, DO NOT
EXPOSE THIS APPLIANCE TO RAIN OR MOISTURE.**



CONTENTS

• IMPORTANT SAFEGUARDS	2
• SAFETY PRECAUTIONS	4
• FEATURES	4
• NAMES OF PARTS AND THEIR FUNCTIONS	5
• CONNECTION EXAMPLES	6
• SPECIFICATIONS	7
• WHAT TO CHECK WITH ON-SCREEN TROUBLES	7
• AFTER-SALES SERVICE	7
• GENERAL APPEARANCE AND DIMENSIONS	8

This device complies with Part 15 of the FCC Rules. Operation is subject to the following two conditions:(1) this device may not cause harmful interference, and (2) this device must accept any interference received, including interference that may cause undesired operation.

CAUTION:

ANY CHANGES OR MODIFICATIONS NOT EXPRESSLY APPROVED BY THE PART RESPONSIBLE FOR COMPLIANCE COULD VOID THE USERS AUTHORITY TO OPERATE THE EQUIPMENT.

	CAUTION RISK OF ELECTRIC SHOCK DO NOT OPEN		CAUTION: TO REDUCE THE RISK OF ELECTRIC SHOCK, DO NOT REMOVE COVER (OR BACK) NO USER-SERVICEABLE PARTS INSIDE REFER SERVICING TO QUALIFIED SERVICE PERSONNEL.
---	---	---	---



The lightning flash with arrowhead symbol, within an equilateral triangle, is intended to alert the user to the presence of uninsulated "dangerous voltage" within the product's enclosure that may be of sufficient magnitude to constitute a risk of electric shock to persons.





The exclamation point within an equilateral triangle is intended to alert the user to the presence of important operating and maintenance (servicing) instructions in the literature accompanying the appliance.

CONTENTS

- IMPORTANT SAFEGUARDS 2
- SAFETY PRECAUTIONS 4
- FEATURES 4
- NAMES OF PARTS AND THEIR FUNCTIONS 5
- CONNECTION EXAMPLES 6
- SPECIFICATIONS 7
- WHAT TO CHECK WITH ON-SCREEN TROUBLES 7
- AFTER-SALES SERVICE 7
- GENERAL APPEARANCE AND DIMENSIONS 8

This device complies with Part 15 of the FCC Rules. Operation is subject to the following two conditions:(1) this device may not cause harmful interference, and (2) this device must accept any interference received, including interference that may cause undesired operation.

CAUTION:
ANY CHANGES OR MODIFICATIONS
NOT EXPRESSLY APPROVED BY THE
PART RESPONSIBLE FOR COMPLIANCE
COULD VOID THE USERS AUTHORITY
TO OPERATE THE EQUIPMENT.

	<div style="border: 1px solid black; padding: 5px;">CAUTION RISK OF ELECTRIC SHOCK DO NOT OPEN</div>	
CAUTION: TO REDUCE THE RISK OF ELECTRIC SHOCK, DO NOT REMOVE COVER (OR BACK) NO USER-SERVICEABLE PARTS INSIDE REFER SERVICING TO QUALIFIED SERVICE PERSONNEL.		



The lightning flash with arrowhead symbol, within an equilateral triangle, is intended to alert the user to the presence of uninsulated "dangerous voltage" within the product's enclosure that may be of sufficient magnitude to constitute a risk of electric shock to persons.



The exclamation point within an equilateral triangle is intended to alert the user to the presence of important operating and maintenance (servicing) instructions in the literature accompanying the appliance.

IMPORTANT SAFEGUARDS

- Read all of these instructions.
 - Save these instructions for later use.
 - Unplug this television monitor from the wall outlet before cleaning. Do not use liquid cleaners or aerosol cleaners. Use a damp cloth for cleaning.
 - Do not use attachment not recommended as they may cause hazards.
 - Do not use this television monitor near water—for example, near a bathtub, washbowl, kitchen sink, or laundry tub, in a wet basement, or near a swimming pool, etc.
 - Do not place this television monitor on an unstable cart, stand, or table. The television monitor may fall, causing serious injury to a child or adult, and serious damage to the appliance. Use only with a cart or stand recommended, or sold with the television monitor. Wall or shelf mounting should follow the manufacturer's instructions, and should use a mounting kit approved.
 - Slots and openings in the cabinet and the back or bottom are provided for ventilation, and to ensure reliable operation of the television monitor and to protect it from overheating, these openings must not be blocked or covered. The openings should never be blocked by placing the television monitor on a bed, sofa, rug, or other similar surface. This television monitor should never be placed near or over a radiator or heat register. This television monitor should not be placed in a built-in installation such as a bookcase unless proper ventilation is provided.
 - This television monitor should be operated only from the type of power source indicated on the marking label. If you are not sure of the type of power supplied to your home, consult your television dealer or local power company. For television monitor designed to operate from battery power, refer to this operating instructions.
 - This television is equipped with a grounding alternating-current line plug (a plug having one blade wider than the other) or with a 3-wire grounding type plug (a plug having a third grounding pin). This plug will fit into the power outlet only one way. This is a safety feature.
- If you are unable to insert the plug fully into the outlet, try reversing the plug. If the plug should still fail to fit, contact your electrician to replace your obsolete outlet. Do not defeat the safety purpose of the polarized plug.
- Do not allow anything to rest on the power cord. Do not locate this television monitor where the cord will be abused by persons walking on it.
 - Follow all warnings and instructions marked on the television monitor.
 - For added protection for this television monitor during a lightning storm, or when it is left unattended and unused for long periods of time, unplug it from the wall outlet. This will prevent damaged to the receiver due to lightning and powerline surges.
 - Do not overload wall outlets and extension cords as this can result in fire or electric shock.
 - Never push objects of any kind into this television monitor through cabinet slots as they may touch dangerous voltage points or short out parts that could result in a fire or electric shock. Never spill liquid of any kind on the television monitor.
 - Do not attempt to service this television monitor yourself as opening on removing covers may expose you to dangerous voltage or other hazards. Refer all servicing to qualified service personnel.
 - Unplug this television monitor from the wall outlet and refer servicing to qualified service personnel under the following conditions.
 - a. When the power cord or plug is damaged or frayed.
 - b. If liquid has been spilled into the television monitor.
 - c. If the television monitor has been exposed to rain on water.
 - d. If the television monitor does not operate normally by following the operating instructions. Adjust only those controls that are covered by the operating instructions as improper adjustment of other controls may result in damage and will often require extensive work by a qualified technician to restore the television monitor to normal operation.

- e. If the television monitor has been dropped or the cabinet has been damaged.
- f. When the television receivers exhibits a distinct change in performance-this indicates a need for service.
- When replacement parts are required, be sure the service technician has used replacement parts specified by the manufacturer that have the same characteristics as the original part. Unauthorized substitutions may result in fire, electric shock, or other hazards.
- Upon completion of any service or repairs to this television monitor, ask the service technician to perform routine safety checks to determine that the television is in safe operating condition.
- An appliance and cart with the below symbol, that is specified in UL standard UL-1410, should be moved with care. Quick stops, excessive force, and uneven surfaces may cause the appliance and cart combination to overturn.



Congratulations on having one of the top-of-the-line picture monitors.

Before use, read carefully this instruction manual to keep your unit in full swing. Save this manual in a safe place for future reference.

SAFETY PRECAUTIONS

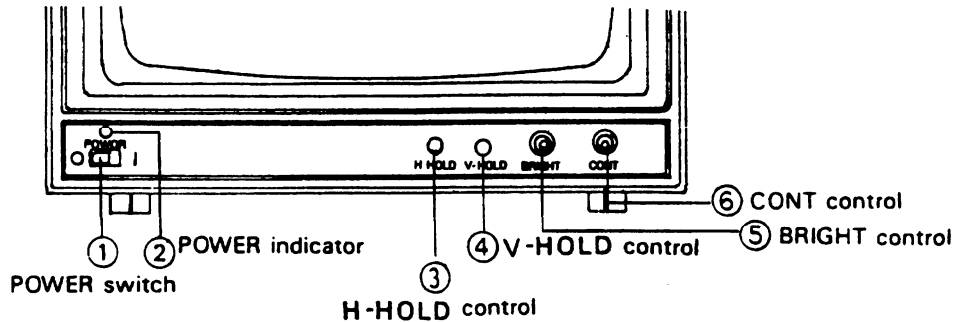
- **Supply power**
Use the monitor on the specified supply voltage $\pm 10\%$.
- **Power cord**
Do not bend the power cord forcibly, nor leave anything heavy on the cord. Damaged power cord may invite fire hazard or electric shock. Be sure to hold the plug to unplug the power cord.
- **Magnetic field**
Keep the monitor away from any magnetism-provoking object.
Magnetism might cause colour distortion or unstable on-screen image.
- **Moisture, dust and vibrations**
Do not use the monitor in a dusty, moist or vibration-prone place. Such a place may get the unit in trouble.
- **No contact with the monitor inside**
Never open the monitor. There remains a high voltage inside, resulting in electric shock. Contact a qualified service engineer if the unit needs servicing.
- **Ventilation**
The cover is provided with an air vent to prevent the inside from getting too hot. Place the monitor with the air vent being not blocked--at least 10 cm away from walls.
- **CRT cares**
Position the monitor so that the screen be not exposed to direct sunlight and other strong light. When moving the monitor to another place, be careful not to give it an impact, especially against the screen.

FEATURES

- The highly reliable design, with abundant use of IC and silicon transistors, promises to reduce failures to the minimum. The stable circuits always assure high-quality pictures without requiring adjustment for power supply voltage or temperature variation.
- The CRT is 12-inch thick-neck 90° deflection type for clearer pictures.
- The system provides for use of several monitors connected in parallel.
- The unit is also providing RASTER CUT-OFF (no raster appeared) when connected no signal.
- The equipment body has metal cabinet providing ample strength and safety.
- High picture quality is further enhanced by the wider frequency response of the video-AMP and superior linearity of the deflection system, and by other features.
- Safety standard, such as CRT X-RAY radiation, has fully been considered to meet the safety requirements of the equipment.
- The unit is providing superior picture quality with VIDEO CLAMP and ABL (AUTO BRIGHTNESS LIMITER) circuits.

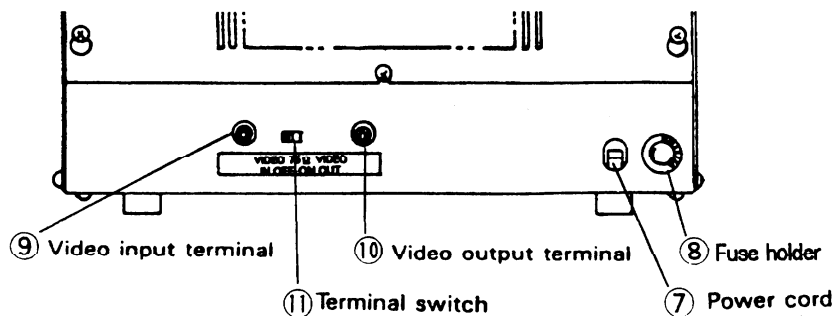
NAMES OF PARTS AND THEIR FUNCTIONS

• Front panel



- | | |
|--|--|
| <ul style="list-style-type: none"> ① POWER switch
Slide the key to turn on the power. ② POWER indicator
Lights up when the POWER switch is turned on. Indicates that the monitor is on. ③ H-HOLD control
Adjusts the horizontal frequency. | <ul style="list-style-type: none"> ④ V-HOLD control
Adjust the vertical frequency. ⑤ BRIGHT control
Adjusts the brightness on the screen. ⑥ CONT control
Adjusts the contrast on the screen. |
|--|--|

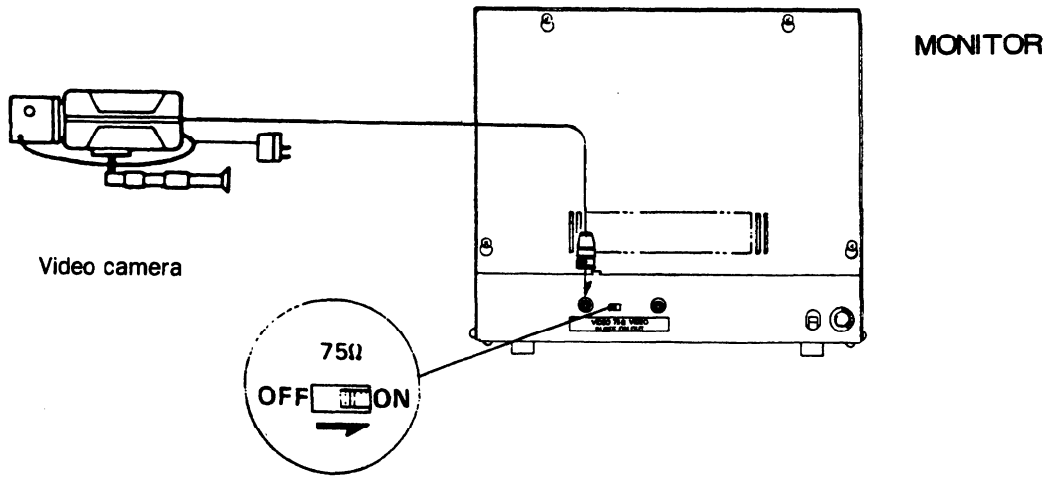
• Rear panel



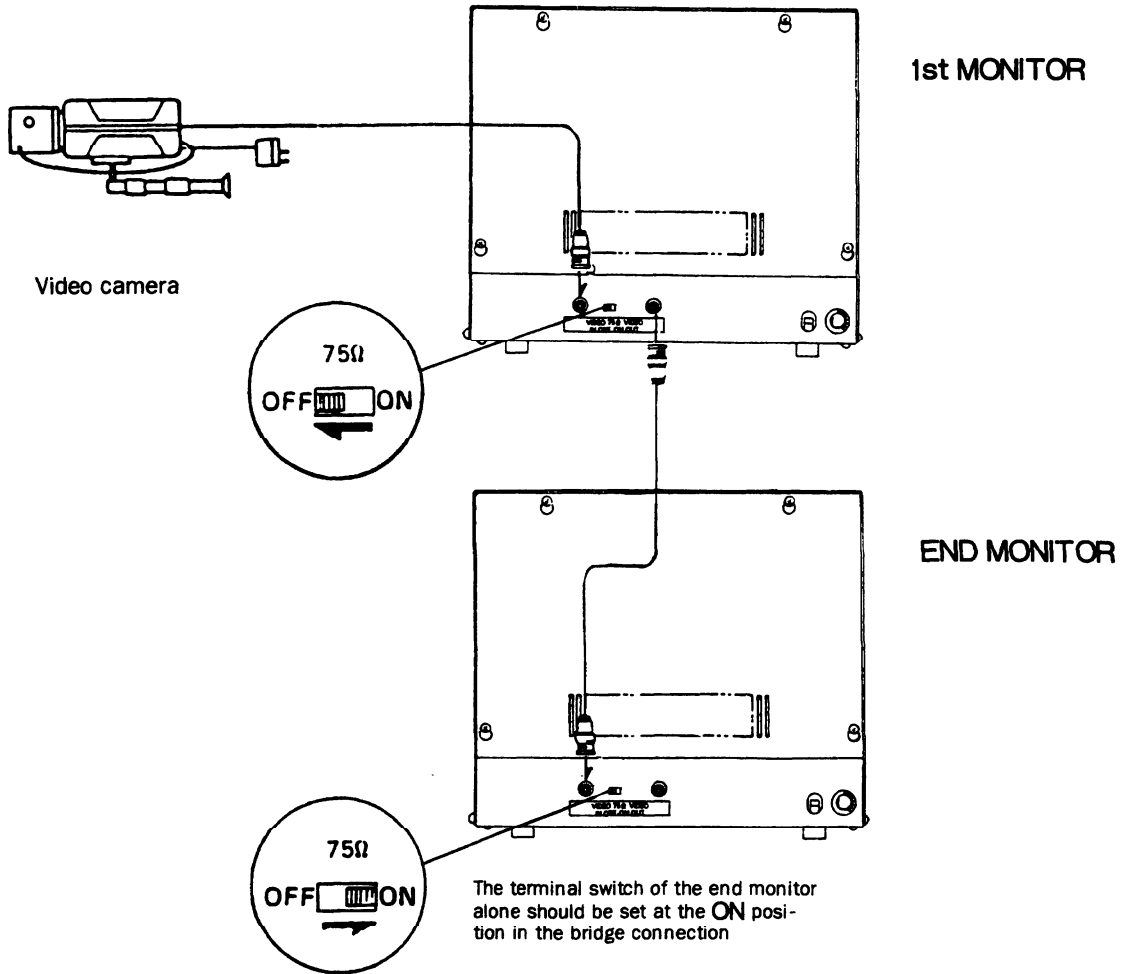
- | | |
|---|---|
| <ul style="list-style-type: none"> ⑦ Power cord
To be connected to an ac power supply. ⑧ Fuse holder
Always use the specified fuse for the replacement ⑨ Video input terminal
Used to take in the composite video signal being transmitted from a video camera and VTR. | <ul style="list-style-type: none"> ⑩ Video output terminal
Used to give out the composite video signal coming through the VIDEO IN terminal. For bridge connection, connect this terminal to the video input terminal of a VTR or other monitor. ⑪ Terminal switch (75Ω ON-OFF)
To be set at the ON position when only the VIDEO IN terminal is used and there is no connection with the VIDEO OUT terminal. To be at the OFF position in order to use both the VIDEO IN and VIDEO OUT terminals. |
|---|---|

CONNECTION EXAMPLES

- Standard connection



- Bridge connection



SPECIFICATIONS

• PICTURE TUBE	12" diagonal Inplasion protected Type 310HEB4(L) or equivalent
• POWER REQUIREMENT	120V/60Hz ± 10% 230V/50Hz ± 13%
• POWER CONSUMPTION	Less than 35W
• VIDEO INPUT LEVEL VS	VS 1.0Vp-p
• VIDEO INPUT IMPEDANCE	75 Ω or high (switchable)
• VIDEO OUTPUT LEVEL	30V p-p
• VIDEO AMP GAIN	More than 38 dB
• VIDEO FREQUENCY RESPONSE	60Hz-7MHz +1, -3dB
• SIGNAL-TO-NOISE RATIO	60dB or better (except sync noise)
• HORIZONTAL RESOLUTION	650 lines or better at center
• SCANNING RATES	
HORIZONTAL	15.75KHz or 15.625KHz
VERTICAL	60Hz or 50Hz
• LINEARITY	2% or less (refer to ballchart)
• ENVIRONMENTAL TEMPERATURE	-10 ~ +45°C
• WEIGHT	7.7Kg approximately (16.98lbs)

HOW TO CHECK WITH ON-SCREEN TROUBLES

If there is something wrong on the screen, take the following steps yourself before asking for servicing.

1. Too dim picture or poor contrast

- Adjust the CONT and BRIGHT controls on the front panel.
- When two or more monitors are in bridge connection, make sure the terminal switch on the rear panel of the end monitor alone is at the 75Ω position.
- See if it is too bright at and around the monitor.

2. Ghosts in the picture

- Make sure the terminal switch on the rear panel is at the 75Ω position.

3. Distorted picture

- Check to see if the BRIGHT control on the front panel is too far clockwise.
- Make sure the terminal switch on the rear panel is at the 75Ω position.

4. No picture or abnormal picture

- Check to see if the CONT and BRIGHT controls on the front panel are too far counter-clockwise.
- Be sure that the connection cord to the monitor is connected.
- See if the POWER indicator on the front panel is on.

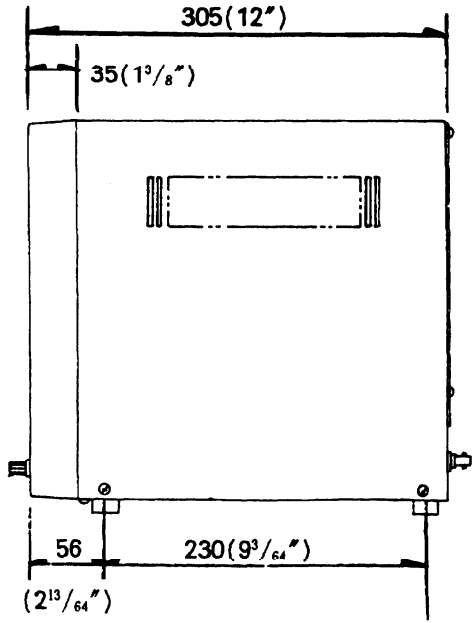
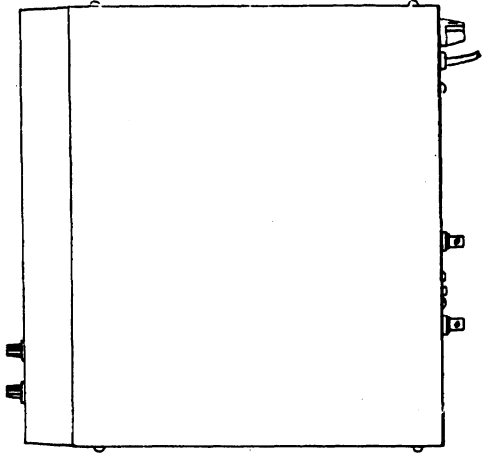
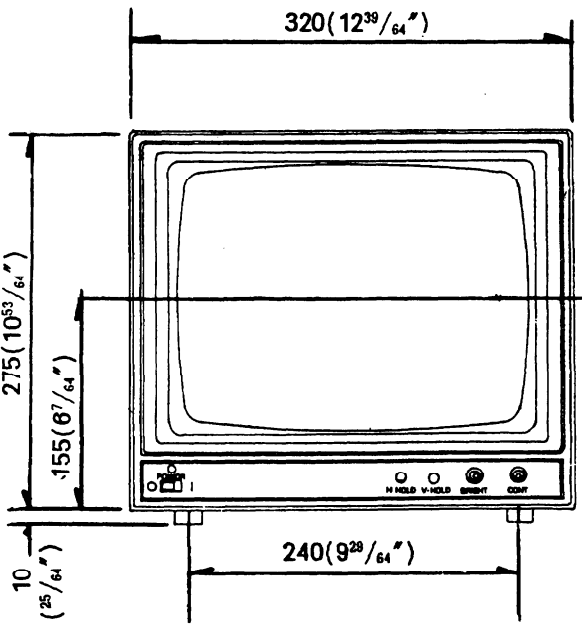
5. Unstable picture

- Look into the next, upstairs and downstairs rooms to see if there is a powerful transformer, electro-magnet, large-capacity cable and so on.
- Recheck that the specified power is supplied to the monitor.
- Look around the monitor to see if there is a device that generates magnetic field.

AFTER-SALES SERVICE

If you suspect that the monitor gets in trouble, turn off the POWER switch and unplug the power cord. Contact your dealer for advice or servicing. Never use the monitor in trouble, nor attempt to repair it yourself.

GENERAL APPEARANCE AND DIMENSIONS



UNIT: mm (Inch)

Ikegami Tsushinki Co., Ltd.

5-6-16 Ikegami, Ohta-ku, Tokyo, Japan
TEL. 03-5700-1111 / FAX. 03-5700-1160

■ **Ikegami Electronics (U.S.A.), Inc.**

37 Brook Avenue, Maywood, New Jersey 07607, U.S.A.
Phone.(201) 368-9171 / FAX. 201-569-1626

■ **Ikegami Electronics (Europe) GmbH**

Ikegami strasse 1, 41460 Neuss 1, Germany
TEL.02131-123-0 / FAX. 02131-123-197

■ **Ikegami Electronics (Europe) GmbH U.K. Branch**

Kestrel Court, Pound Road, Chertsey, Surrey KT16 8ER, England
TEL.01-546-7772 & 0932-568966 / FAX. 0932-569637