



Natural color reproduction and Full High Definition images for medical applications

The Ikegami Medical LCD monitors realize true color and Full High Definition delivering industry leading medical image reproduction.



24^{inch} MLW-2422C

26^{inch} MLW-2623C

Multi Display 24^{inch} MLW-2425C

Multi Display 26^{inch} MLW-2626C

Multi Display 32^{inch} MLW-3226C

HIGH QUALITY LCD DISPLAY AND SUPERIOR Ikegami IMAGE PROCESSING

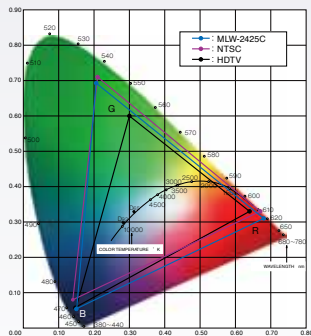
10-bit signal input & 10-bit signal process engine & 10-bit LCD panels

10-bit signal input is available(* DVI-D is excluded).
 10-bit signal processing based on Ikegami image processing technology allows the smooth gradation of color.
 Further smooth color gradation can be achieved by processing 10 bit signal from signal input to display.

Wide color gamut

(MLW-2422C / 2425C)

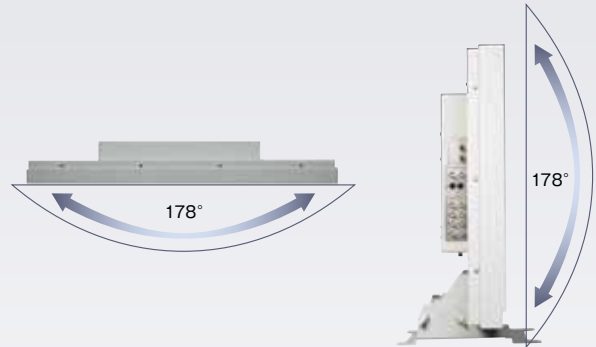
Wide color gamut (102% of NTSC) can be represented with wider gamut than EBU/AMPTTE standard.
 Color gamut setting is selectable for user's favorite.



MLW-2422C / 2425C
 FULL / SMPTE-C / EBU / sRGB / WIDE1 / WIDE2

178 degrees high contrast viewing angle

LCD panel based on IPS technology is employed for 178 degrees high contrast viewing on UP/DOWN/LEFT/RIGHT. This characteristic prevents from intensity and Color shift by the viewing angle.



LED backlight panel

(MLW-2623C / 2626C)

LED backlight panel helps saving power. It also supports Higher brightness & Higher contrast than conventional LCD monitors.

HD-SDI 3G signal input

(MLW-2623C/2626C/3226C)

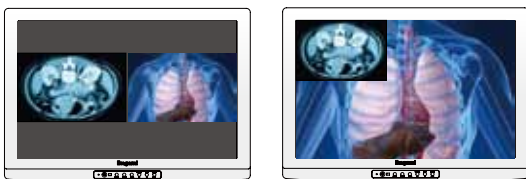
The HD-SDI 3G signal can be input for the true progressive imaging and more suitable to natural images.

VARIETY OF USEFUL FUNCTIONS AND USER-FRIENDLY OPERATION

Multi-Display function with Side-by-Side and Picture-in-Picture

(MLW-2425C / 2626C / 3226C)

Two types of input images can be displayed simultaneously with Side-by-Side and Picture-in-Picture display mode.



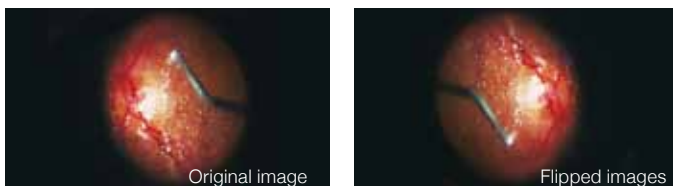
Side by Side

Picture in Picture

*The images are synthesized.

Flip function

Images can be flipped horizontally and vertically, allowing the correction of image inversion caused by the optics.



Original image

Flipped images

User memory

Maximum eight (8) settings can be set as preset. The parameter such as color temperature, hue, chroma, gamma, R/G/B gain and display mode can be saved for each user or application.

[Signal availability list of Side-by-Side and Picture-in-Picture]

CH2 \ CH1	SDI	SD-RGB-S	HD-Y, Pb, Pr	Y/C	VBS	PC	DVI
SDI	△1	○	○	○	○	○	○
SD-RGB-S	○	△2	△2	○	○	△2	○
HD-Y, Pb, Pr	○	△2	△2	○	○	△2	○
Y/C	○	○	○	×	×	○	○
VBS	○	○	○	×	×	○	○
PC	○	△2	△2	○	○	△2	○
DVI	○	○	○	○	○	○	△2

* The maximum resolution of the sub screen is SXGA.
 * △1 is available when an optional Multi SDI module is installed.
 * △2 is available when an optional RGB module is installed.

Maximum 30 meters length of DVI-D cable available

Signal compensation function is installed and the signal degradation is prevented. Then, maximum 30 meters length of DVI-D cable can be used with the monitor.

VESA mount available

A variety of installation brackets for arms and walls can be chosen with the combination of VESA mount.

Applicable Various Input Signal (MLW-2422C/2425C/2623C/2626C/3226C)

Applicable to NTSC/PAL signal (Composite, Y/C), and PC signal input (Analog RGB, Digital DVI-D). SD/HD-SDI signal input is available too.

[Applicable Video Input]

Input Signal Format	Video/S-Video		Component		PC		DVI-D		SDI	
	BNC x 1, S-Video x 1		BNC x 4		15pin D-Sub x 1		DVI-D x 1	BNC x 1	BNC x 2	
	Loop Through Output		Y/Pb/Pr or RGB switchable Loop Through Output		Y/Pb/Pr or RGB switchable HsVs, G-Sync or C-Sync (SD-HD is only G-Sync)			Loop Through Output	Loop Through Output	
	MLW-2422C /2425C	MLW-2623C/2626C/3226C	MLW-2422C /2425C	MLW-2623C/2626C/3226C	MLW-2422C /2425C	MLW-2623C/2626C/3226C	MLW-2422C /2425C	MLW-2623C/2626C/3226C	MLW-2422C /2425C	MLW-2623C/2626C/3226C
480/59.94i	○	○	○	—	○*1	○*1	○	○	○*2	○*2
575/50i	○	○	○	—	○*1	○*1	○	○	○*2	○*2
480/60p	—	—	○	—	—	—	—	—	—	—
575/50p	—	—	○	—	—	—	—	—	—	—
720/50p	—	—	○	—	○	○	○	○	○*2	○*2
720/60p	—	—	○	—	○	○	○	○	○*2	○*2
1080/50i	—	—	○	—	○*1	○*1	○	○	○*2	○*2
1080/60i	—	—	○	—	○*1	○*1	○	○	○*2	○*2
1080/50p	—	—	—	—	○	○	○	○	—	○*2
1080/60p	—	—	—	—	○	○	○	○	—	○*2
VGA(Vrf=60Hz, H/V-Sync only)	—	—	—	—	○	○	○	○	—	—
SVGA(Vrf=60Hz, H/V-Sync only)	—	—	—	—	○	○	○	○	—	—
SXGA(Vrf=60Hz, H/V-Sync only)	—	—	—	—	○	○	○	○	—	—
UXGA(Vrf=60Hz, H/V-Sync only)	—	—	—	—	○	○	○	○	—	—
WUXGA(Vrf=60Hz, H/V-Sync only)	—	—	—	—	○	○	○	○	—	—

*1: G-Sync only.

*2: MLW-2422C/MLW-2623C available as an option for 1 channel.

MLW-2425C is available as standard for 1 channel and as an option for 2 channels.

Option

■ Desktop Stand



for MLW-2422C/2425C



for MLW-2623C/2626C



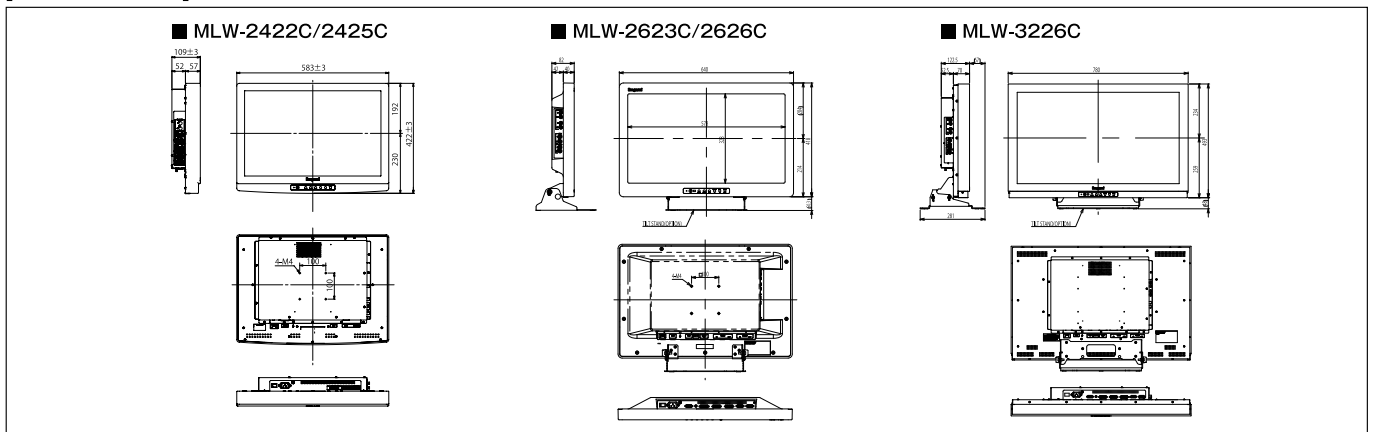
for MLW-3226C

[Specifications]

		MLW-2422C	MLW-2425C	MLW-2623C	MLW-2626C	MLW-3226C	
LCD Panel	Panel Size	24-inch	24-inch	26-inch	26-inch	32-inch	
	Pixels	1920×1200		1920×1080			
	Display Size	518×324mm		576×324 mm		698.4×392.85 mm	
	Aspect Ratio	16:10		16:9			
	Color Gradient	10-bit x 3 (1.06B)			-		
	Color Gamut	Wide color gamut			-		
	View Angle	178°/178° (Typical)					
Input Signal	SDTV	Analog	VBS x 1ch			-	
			Y/C x 1ch			-	
			RGB or Y/Pb/Pr x 1ch	RGB or Y/Pb/Pr x 1ch (2ch is available by adding option module)*3	-		
		Digital	Multi-SDI x1ch (Option)	Multi-SDI x 1ch (2ch is available by adding option module)*3	Multi-SDI x 1ch (Option)	Multi-SDI x 2ch	
	HDTV	Analog	RGB or Y/Pb/Pr x 1ch	RGB or Y/Pb/Pr x 1ch (2ch is available by adding option module)*3	-		
		Digital	Multi-SDI x 1ch (Option)	Multi-SDI x 1ch (2ch is available by adding option module)*3	Multi-SDI x 1ch (Option)	Multi-SDI x 2ch	
	PC	DVI	DVI-D x 1ch	DVI-D x 1ch (2ch is available by adding option module)*3	DVI-D x 1ch	DVI-D x 2ch	
		RGB Analog	HD-15P D-Sub x 1ch	HD-15P D-Sub x 1ch (2ch is available by adding option module)*3	HD-15P D-Sub x 1ch		
		Supported Resolution	VGA to WUXGA				
	Multi Display		-	Picture in Picture or Side by Side Swap display is available	-	Picture in Picture or Side by Side Swap display is available	
Invert Top and Bottom or Right and Left Function		Standard					
Remote Terminal		Parallel/Serial		Serial			
Resolution		1000 TV Line or more (at component input)					
Maximum Brightness		400cd/m ²		450cd/m ²		500cd/m ²	
Contrast Ratio		1000:1 (Typical)		1400:1 (Typical)		1300:1 (Typical)	
Safety Approval		UL60601-1/CSA22.2No.601-1/EN60601-1					
EMI Approval		FCC Class A/EN60601-1-2/VCCI Class A					
Power Requirement		AC100V to AC120V, AC200V to AC240V		DC24V/3.3A		AC100V to AC120V, AC200V to AC240V	
Power Consumption		120W Max.	130W Max.	80W Max.		160W Max.	
Operation	Temperature	5 to 35°C					
	Humidity	30 to 80% (non condensing)					
Storage	Temperature	-20 to 60°C					
	Humidity	30 to 90% (non condensing)					
Dimensions (excluding stand and protrusions)		W583×H422×D109 mm	W583×H422×D109 mm	W640×H418×D82 mm	W640×H418×D82 mm	W780×H493×D122.5 mm	
Weight (excluding stand)		7.2kg or less	7.4kg or less	8kg or less	8kg or less	13kg or less	
Accessories		AC Power Cable, Manual					

*3: Only one option module is available to built in.

[Dimensions: mm]



This product is made of ECO friendly components based upon the Company policy and Corporate Social Responsibility to help Global Environmental solution for energy conservation and environmental sustainability, and all the components used in this product are Non-hazardous, Toxic Free, Non-Lead materials and parts conforming with Japan's Green Product Regulation, EU's RoHS Direction, and other environmental and hazardous chemical substances related regulations and laws.

Design and specifications are subject to change without notice.



U325A157-ED1 Printed in Japan

Ikegami Tsushinki Co.,Ltd.

■ URL : <http://www.ikegami.co.jp/en/>

- Head Office : 5-6-16 Ikegami, Ohta-ku, Tokyo 146-8567, Japan TEL.03-5700-1111 / FAX.03-5700-1137
- Overseas Sales Division : 5-6-16 Ikegami, Ohta-ku, Tokyo 146-8567, Japan TEL.03-5700-4117 / FAX.03-5748-2200
- Beijing Office : Room No.307 Tower B, Jia Tai International Mansion No.41 East Fourth Ring Road, Chaoyang District, Beijing China ... TEL.010-85710350 / FAX.010-85711804

Ikegami Electronics (U.S.A.), INC.

■ URL : <http://www.ikegami.com>

- Headquarters : 37 BROOK AVENUE, MAYWOOD, NJ 07607 TEL.(201) 368-9171 / FAX.(201) 569-1626

Ikegami Electronics (Europe) GmbH

■ URL : <http://de.ikegami.co.jp>

- Headquarters : Ikegami Strasse 1, D-41460 Neuss, Germany TEL.02131-1230 / FAX.02131-102820
- U.K. Branch : 1 Windmill Business Village, Brooklands Close, Sunbury on Thames, TW16 7DY, England TEL.01932-769700 / FAX.01932-769710

Ikegami Electronics Asia Pacific Pte.Ltd.

■ URL : <http://sg.ikegami.co.jp>

- Headquarters : 1 Tampines Central 5, #3-3 CPF Tampines Building, Singapore 529508 TEL.6260 8820 / FAX.6260 8896

