



Superior Performance and Image Quality from the World Leader and Innovator in LCD Technology

The Ikegami®HLM-4600w series Professional LCD Monitors redefine the professional large-format monitor market. With full 1920x1080 HD resolution and 46" screen size, they are the monitor of choice for the most sophisticated digital signage and display applications. Developed for commercial use, they offer proprietary and application specific features, unparalleled performance, outstanding image quality and reliability. The HLM-4600W offers the addition of an integrated protective acrylic overlay.

Features:

46" Normally Black TFT LCD. Proprietary technology contributes to crisp text, virtually no image burn-in, longevity and reliability; reduces the potential for bright pixel illumination.

High Definition (Native 1920 x 1080 Resolution). The "future proof" HLM-4600W series has full 2-megapixel, 1920 x 1080 resolution (true 16:9 aspect ratio), with 1700:1 contrast ratio and 6ms response time for exceptionally accurate and precise image reproduction. They are among the only professional LCD monitors capable of displaying full native 1920 x 1080 resolution from analog RGB, digital RGB and HD video sources.

Rugged Design incorporating commercial components, black metal rear enclosure, heavy duty carrying handles, and a clean professional appearance with no raised front-panel controls or connectors. The HLM-4600W(P) further incorporates an integrated protective acrylic overlay.

Compatible for Extended Use in Both Landscape and Portrait Mode Applications. Optimized internal cooling, air flow and backlight design ensure highest performance and reliability – in both landscape and portrait modes.

Full Complement of Inputs and Outputs for easy connectivity. Inputs include DVI-D, RGB Analog, Component Video, Composite Video, Stereo Audio (for PC), Stereo Audio (for A/V) and Serial RS-232C (In/Out). Outputs include DVI-D loop-through, stereo audio line-out and stereo audio (7W/channel) speaker out.

Ultra-High Aperture ("UHA") LCD achieves high brightness of 450 nit (cd/m²) [HLM-4600W] and wide viewing angle (176° x 176°) while maintaining exceptionally low power consumption.

Unique Integrated Protective Overlay HLM-4600W(P) shields with anti-reflection / anti-glare film making it ideal for digital signage and information display applications in high traffic areas.

Dual Fine Engine ("DFE") provides superior display of both digital and analog sources in full-spec high definition.

"2x2", "3x3", "4x4" and "5x5" Enlargement by PC Signal for multi-screen displays as well as Picture-in-Picture and Picture-by-Picture capabilities.

Unparalleled Performance for Most Any Professional Application including digital signage markets (retail, banking, hospitality, airports), medical/scientific and training simulation, CAD/CAM, government, university and corporate facilities.

Limited Warranty includes 3-year on-site parts, labor and backlight. (This warranty is applicable when used in both landscape and portrait mode applications.)

HLM-4600W

46" Professional LCD Monitors

Specifications

Model	HLM-4600W	HLM-4600W(P)
Screen Size ^{*1}	46" (1018.1mm x 572.7mm)	
Resolution	1920 x 1080 dots (2 megapixel)	
LCD / Brightness	ASV AGLR	
Pixel Pitch	0.53025 x 0.53025 mm	
Display Colors	16.77 million (8 bit)	
Brightness	450 cd/m ²	400 cd/m ²
Contrast Ratio / Response Time	1700:1 / 6ms	
Viewing Angle	176° (Left/Right) / 176° (Up/Down)	
Support Resolutions - PC Analog and Digital	VGA, SVGA, XGA, SXGA, WVGA (848 x 480), WXGA (1280 x 768, 1360 x 768, 1280 x 960), 1920 x 1080	
User Controls	OSD (On Screen Display); Remote control; RS-232C (includes support of power-off command)	
Input - Video	DVI-D (24 pin) HDCP compatible [DVI 1.0]; RGB Analog (mini D-sub 15 pin); RGB analog (5BNC shared with component video) ^{*2 *3} ; 3, 4 Component (Y, Pb/Cb, Pr/Cr;BNC) ^{*4} (480i/P, 720P, 1080i); Composite (BNC)	
Input - Serial	RS-232C (9 Pin D-sub)	
Input - Audio	Stereo Audio Line-in for AV (RCA L/R); Stereo Audio Line-in for PC (3.5mm stereo mini jack)	
Outputs	DVI-D ^{*5} , RS-232C (9 Pin D-sub), Audio RCA L/R (Variable or fixed)	
Speaker Out	L/R push-release speaker terminals (7W + 7W Audio Output, minimum 6Ω)	
Remote Control	Yes (IR)	
Plug & Play	DDC2B	
Power Management	VESA DPMS, DVI DMPM	
Daisy Chain Connection	Yes by DVI-D, up to five monitors	
Status Monitoring	Yes by RS-232C	
PIP / PbyP	Yes (sub-screen's size is variable)	
Enlargement for Video Wall Capability	PC signal only 2 x 2, 3 x 3, 4 x 4, 5x5 (separate video signal splitter is required for 3 x 3 and 4 x 4, 5 x 5 or RGB analog)	
Cabinet	Black cabinet finish. Front: Resin; Back: Metal rear enclosure	
Fan	No (fan-less architecture)	
Carrying Handle	Yes	
Mounting Position / Mounting Method	VESA 200mm pitch x 6 (M6 screw)	
Power Consumption	266W, 6.5W in waiting mode, 3.5W in standby mode	
Operating Temperature	0°C to 40°C	
Operating Humidity	20% to 80% (non-condensing)	
Power Voltage	120 VAC, 60 Hz	
Included Accessories	Power cable, Remote control, Utility disk (CD-ROM), Operation manual, Temporary stand	
Optional Accessories	AN-46SP1 High quality audio loudspeaker; AN-LS1 (ethernet to RS-232C network converter); AN-37AG1 (flat wall-mount bracket)	
Limited Warranty ^{*5}	3-year on-site parts, labor and backlight from date of purchase	
Dimensions (w x h x d) (in inches/mm)	43.8 x 5.5 x 25.9 / 1113mm x 140 mm x 657mm	
Weight (in pounds/Kg)	78.3 / (35.5 kg) without temporary stand (approximate)	83.4 / (38 kg) without temporary stand (approximate)
UPC	074000046641	074000046696

^{*1} Actual screen size 45-63/64" measured diagonally.

^{*2} Cannot be used simultaneously.

^{*3} Does not support plug and play. May not support 1920 x 1080 resolution depending on graphic card.

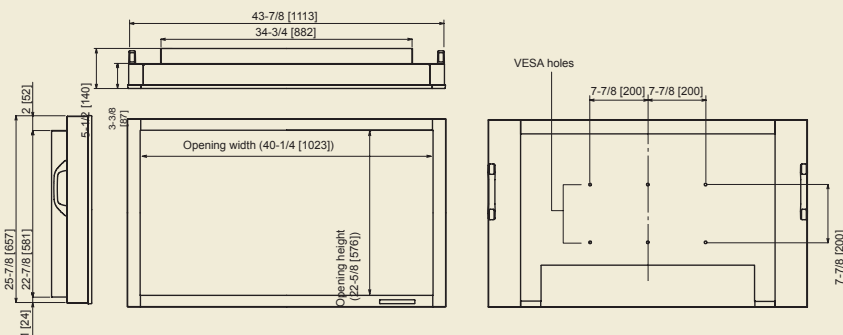
^{*4} Connection is allowed with an HDCP-compatible device only. Does not support Repeater control function.

^{*5} See warranty statement included with the product.

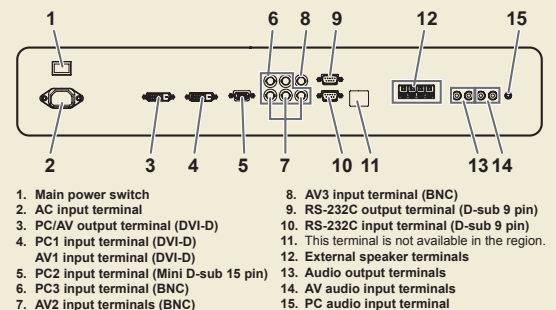
Product specifications and design are subject to change without notice.

Dimensional Drawing

Note that the values shown are approximate values. Units: inch [mm]



Jack Pack



IKEGAMI ELECTRONICS (U.S.A.) INC. *URL <http://www.ikegami.com>
 HEADQUARTER 37 BROOK AVENUE, MAYWOOD, NJ 07607 PHONE: (201) 368-9171 FAX: (201) 569-1626
 WESTCOAST OFFICE 2631 MANHATTAN BLVD., REDONDO BEACH, CA 90278 PHONE: (310) 297-1900 FAX: (310) 536-955
 SOUTHWEST OFFICE 773 BEARDEN WAXAHACHIE, TX 75167 PHONE: (972) 869-2363 FAX: (972) 556-1057
 MIDWEST OFFICE 747 CHURCHROAD, UNIT C1, ELMHURST, IL 60126 PHONE: (630) 834-9774 FAX: (630) 834-8689
 SOUTHEAST OFFICE 5200 N.W. 33RD AVENUE, SUITE 111, FORT LAUDERDALE, FL 33309 PHONE: (954) 735-2203 FAX: (954) 735-2227