

Portable Viewfinder VFE-P07D



0.7-inch OLED viewfinder with high-performance 3.5-inch flip-type LCD panel, exclusively for UNICAM XE Series cameras. Ideal for low-angle shooting and other positions away from the eyepiece.

Key Features

0.7-inch OLED panel at the eyepiece

0.7-inch high-performance OLED panel with Full HD resolution and fast response at the eyepiece for smooth shooting.

High-performance 3.5-inch LCD panel for the flip display

Full HD high-brightness LCD panel delivers excellent visibility.

Waveform monitor / Vectorscope / Audio-level display

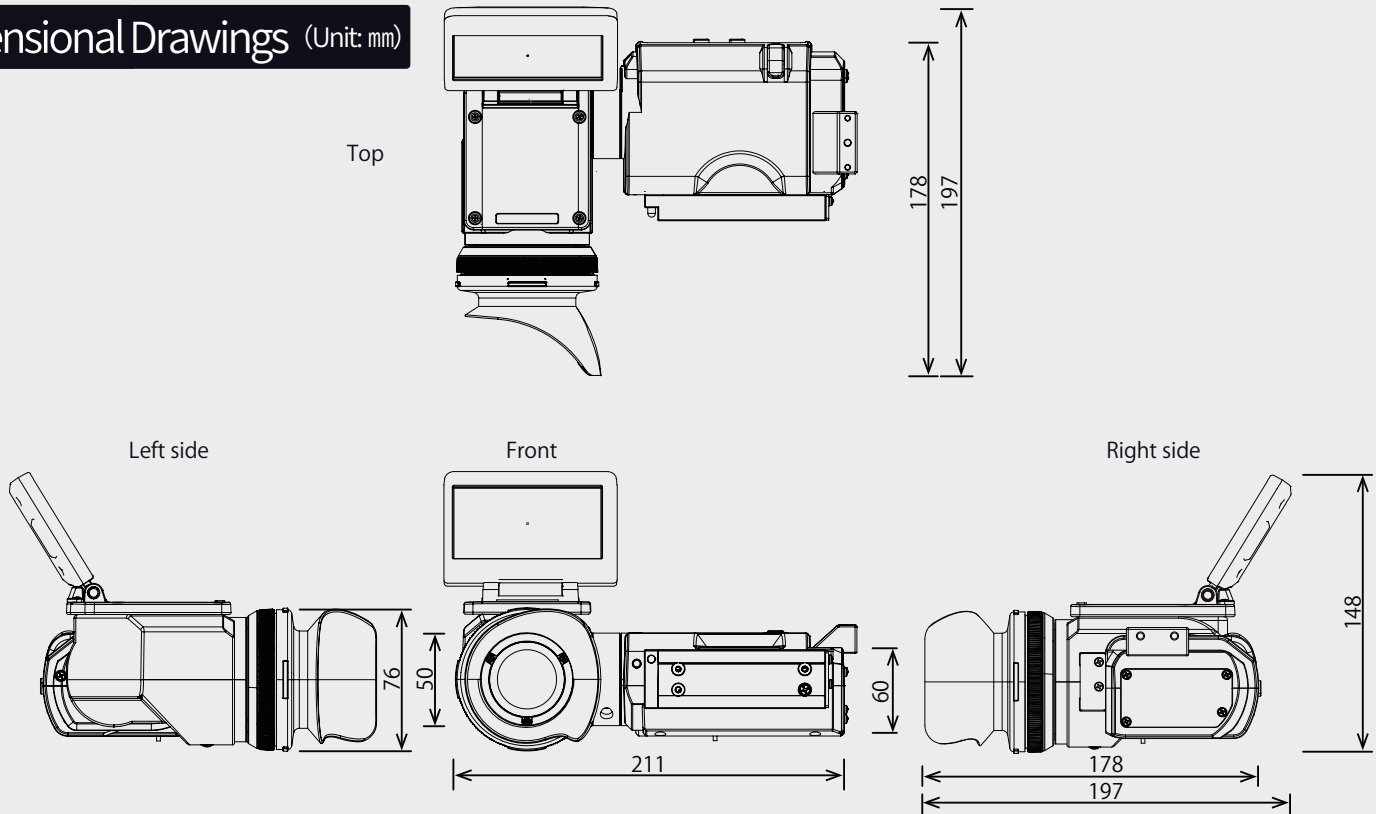
Supports display of waveform monitor, vectorscope, and audio-level meter.

For use as a monitor

In addition to viewfinder use via dedicated VF cable, an HD/3G-SDI input terminal is provided which allows the 3.5-inch flip-type LCD panel to function as an external monitor if necessary when working on location.

Portable Viewfinder VFE-P07D

Dimensional Drawings (Unit: mm)



Main specifications

Eyepiece	Panel inch	0.7-inch OLED
	Screen size	16(H) x 9(V) mm
	Aspect ratio	16:9
	Resolution	1920(H) x 1080(V)
	Brightness	200 cd/m ²
	Color reproduction	16.7M colors
Flip display	Panel inch	3.5-inch TFT LCD
	Screen size	80(H) x 45(V) mm
	Aspect ratio	16:9
	Resolution	1920(H) x 1080(V)
	Brightness	450 cd/m ²
	Angle of view	170°(H), 170°(V)
Input	Camera input	1x Digital I/F (UNICAM XE exclusive)
	3G/HD-SDI input	BNC x1
Specifications	Dimensions (excluding protrusions)	W211 x H148 x D197 mm
	Operating temperature / humidity	Operating: -20°C to +45°C, 30% to 85% RH (non-condensing)
	Storage temperature / humidity	Storage: -20°C to +60°C, 0% to 90% RH (non-condensing)

*Appearance and specifications are subject to change without notice.

Contact

Ikegami IKEGAMI ELECTRONICS (U.S.A.), INC.

■ URL www.ikegami.com

HEADQUARTERS 300E State Route 17S, Mahwah, NJ 07430 USA
Phone:(201) 368-9171 Fax:(201) 569-1626