

18.5 Inch SD / HD / 3G-SDI In/Out

FULL HD 1080p



1080P

Full HD

LED

LED Backlight

16.7

Million Color

Display Color



METAL CHASSIS

SD · HD · 3G-SDI

## ULE-185U

BUILT TO RUN 24 X 7 X 365 CONTINUOUSLY

## Overview

The IKEGAMI ULE-185U incorporates the SD / HD / 3G-SDI formats with latest panel and image processing technology to provide higher contrast and accurate scaler at a price that fits your budget.

## Features

- Full HD display that delivers real time broadcast grade images
- LED backlight to extend the lifetime and save power
- SD / HD / 3G-SDI (level A) is supported in addition to composite, PC (VGA), HDMI inputs
- Haze 25%, 3H surface coating Wireless remote control

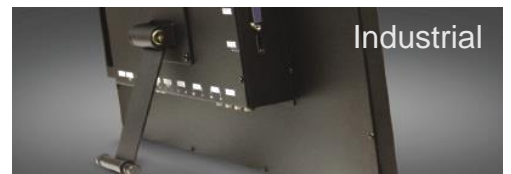
Easy Access



Interface



Industrial



**24/7/365**  
Built to run 24 x 7 x 365  
Continuously

# ULE-185U

SD / HD / 3G-SDI INPUT MONITOR

## Specification

Display	
Screen Size	18.5 Inch
Max. Resolution	1366x768@60Hz
Pixel Pitch	0.300 x 0.300mm
Brightness	250cd/m2
Contrast Ratio	1000 : 1
Aspect Ratio	16 : 9
Viewing Angle (H/V)	170° / 170°
Display Color	16.7 Million
Response Time	< 14ms
Video System	NTSC / PAL

Interface		
SDI	In / Out	1 In / 1 Out
	SD-SDI	525i(59.94) NTSC, 625i (50) PAL 720P (50 / 59.94 / 60)
	HD-SDI	1080i (50 / 59.94 / 60)
		1080P (50 / 59.94 / 60)
3G-SDI	1080PsF (25 / 29.97 / 30)	

Video In / Out (CVBS)	2 In / 2 Out (BNC Type)
HDMI In	1 In
VGA In (15Pin D-Sub)	1 In
Audio In (Left/Right)	2 In (RCA Type)
PC Stereo In	1 In

Transmitter	
Remote Control	Yes

Audio	
Built-in Speakers	1W x 2 (Stereo)

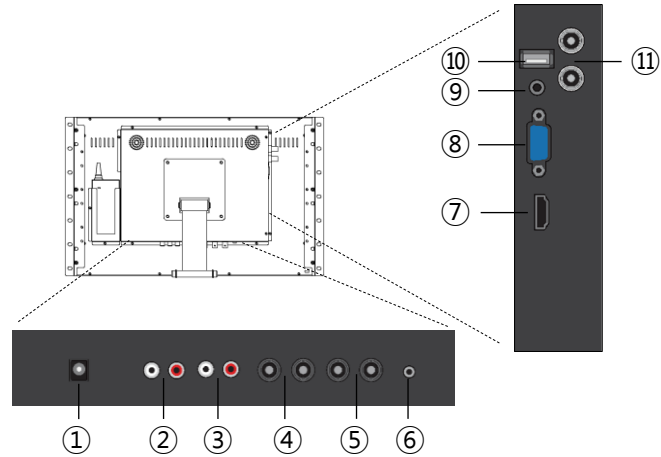
Features	
Filter Type	3D Comb Filter
Deinterlacing	Yes
Noise Reduction	Yes
Trigger Source Switching	Yes
Auto Pixel Shift	Yes
Auto Source Sequencing	Yes
Multi Language	English, Spanish, French, German, Italian

General	
Outline Dimension (w/ stand)	448x297.8x91mm(19"x11.72"x3.58")
Net Weight	4.8Kg (10.58lbs)
Material	Metal/Black, Electro-Galvanized Steel
Desk Top Stand	Kick Type
Power	DC 12V
Operating Temperature	0° ~ 50°C / 32° ~ 122°F
Storage Temperature	-20° ~ 60°C / -4° ~ 140°F

Mounts	
VESA mount	100 x 100mm
Rack mount	IK-RMK-08V
Wall	WB-5, WB-10, WB-30, WB-31
Ceiling	CMK-01

※ Design and specifications are subject to change without notice

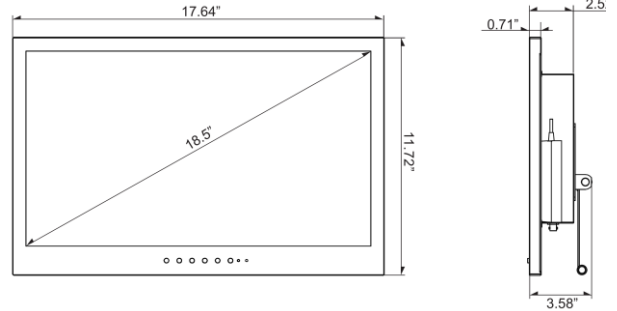
## Interface



- |                 |                     |
|-----------------|---------------------|
| ① DC 12V        | ⑦ HDMI In           |
| ② AUDIO(CVBS-1) | ⑧ VGA (15pin D-Sub) |
| ③ AUDIO(CVBS-2) | ⑨ AUDIO(PC)         |
| ④ CVBS-1 IN/OUT | ⑩ USB (F/W Update)  |
| ⑤ CVBS-2 IN/OUT | ⑪ SDI IN/OUT        |
| ⑥ TRIGGER       |                     |

## Dimension

Unit : inch



## Rear View



Secure mounting bracket is included for the AC power Supply to be rear mounted Directly to the back of the Display.

## Optional Rack Mount EAR



Optional rack mountable Rack Ear is available