



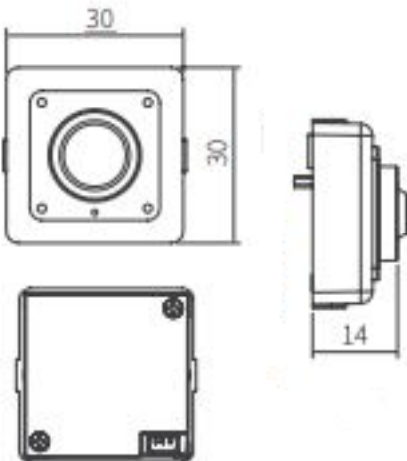
ETC-37CPH

High Quality Analog Mini Pinhole Camera

Features:

- ❖ 1/3" 960H Interline CCD
- ❖ 850TVL Horizontal Resolution
- ❖ Min. Illumination of 0.1 Lux
- ❖ 3.7mm Lens
- ❖ Digital Noise Reduction
- ❖ Adaptive Tone-Curve Reproduction (D-WDR)
- ❖ Digital Day & Night
- ❖ OSD with Built-in Joystick Controller
- ❖ Privacy masking (8 Zones)
- ❖ Super compact size of 1.18"(W) x 1.18" (H)
- ❖ 3 Pin BNC Cable, Mounting Bracket

Dimensions:



Design subject to change without notice.

Specifications:

Image Sensor		1/3.2" Exmor RS Progressive Scan STARVIS CMOS
Effective Pixels		1.27MP 1297(H) x 977(V)
Max. Video Resolution		Horizontal 850TV Lines
Lens		3.7mm Conical Pinhole
Min.Illumination		0.2 Lux (30IRE, F2.0, AGC MAX)
Gamma		$\gamma=0.45$
White Balance		ATW / PUSH / USER1 / USER2 / MANUAL / PUSH LOCK
Dynamic Range	WDR/BLC	WDR / ATR / OFF
	D-WDR	OFF / HLC / BLC
	Level	138.1dB
Electronic Shutter Speed		AUTO or 1/60(50)~1/100,000
Auto Gain Control(AGC)		MIN, 6, 12, 18, 24, 30, 36, 42, 48, MAX
Day&Night		Electronic D&N
Noise Deduction		2D-DNR (Y/C, Y, C, OFF)
Image Rotation		OFF, H-FLIP, V-FLIP, HV-FLIP
Defog		OFF, AUTO
Sharpness		0-255
OSD control		JOYSTICK
Video Output mode		CVBS(1.0Vp-p Composite 75 Ω) NTSC/PAL
Operating Temperature		-10°C~+50°C(Humidity less than 80%)
Storage Temperature		-20°C~+60°C(Humidity less than 80%)
Power Source		12VDC($\pm 10\%$)
Power Consumption		12VDC($\pm 10\%$), 60mA max.
Dimension(mm)		30X30mm (approx 1.18"x1.18")
Weight		Approx.27.7g (approx 0.061 lbs)