



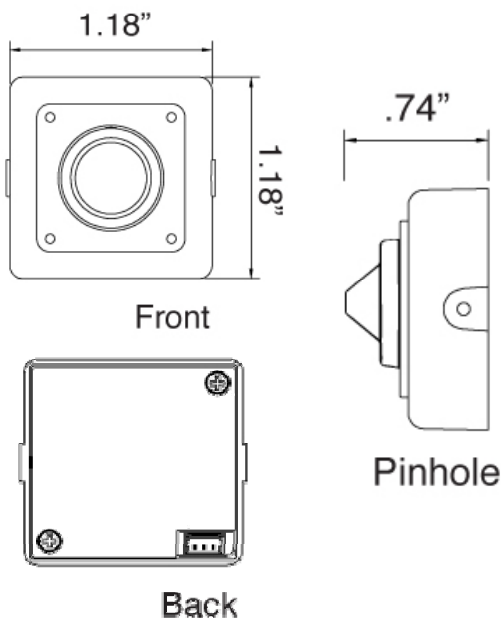
ETC-43CPH

Mini HD-TVI Pinhole Metal Case Camera

Features:

- ❖ Ultra Compact Size with 4.3mm Pinhole Lens
- ❖ 1/2.7" Progressive Scan CMOS
- ❖ EZHD-TVI: 1080p 30 FPS
- ❖ Up the Cable menu control
- ❖ Digital Day/Night
- ❖ For indoor applications
- ❖ DC 12V power

Dimensions:



Design subject to change without notice.

Specifications:

Image Device	1/2.7" PROGRESSIVE SCAN CMOS
Effective Pixels	1930 (H) x 1088 (V)
Unit cell size	3.0um (H) x 3.0um (V)
Video output mode	HD-TVI : 1080P 30fps(25fps)
Transmission Distance	HD-TVI : Color 300m@RG59 , BW 500m@RG59
Menu Access	Up the Cable control
Shutter speed	Auto, 1/25, 1/30, 1/50, 1/60, 1/100, 1/120, 1/250, 1/500, 1/1000, 1/3000, 1/10000
BLC	BLC (1~16 selectable)
HLC	Adjustable area, 0~255 for mask and threshold values
AGC	1~5 (Max. 30dB)
Flickerless	Off, 50Hz, 60Hz
2DNR	AUTO
White Balance	AUTO indoor / AUTO Outdoor / USER / PUSH / Manual
Lens	4.3mm
Day&Night	Auto, color, B/W
Privacy Zones	Two, with adjustable size and position
Image Control	Flip, Mirror, Gain, Hue, Sharpness, Contrast
Temperature/Humidity (non condensing)	Operation : 5°F~122°F(-15°C~50°C) Storage : -4°F~140°F(-20°C~60°C) Humidity less than 80%
Power Consumption	DC12V ±10% Max.100mA
External Control	UTC (Up The Cable OSD Menu Control)
Dimension	Body 1.18" x 1.18" (30mm x 30mm) Depth: w/board lens 1.15" (29.3mm) w/pinhole .74" (18.8mm)
Mounting Bracket	2-axis bracket included; adds .05"~.4" to height, .05"~.9" to depth
Video and Power Cable	Detachable; >23" long (58.5cm)
Weight	Approx. 30g / 1 oz. plus cable