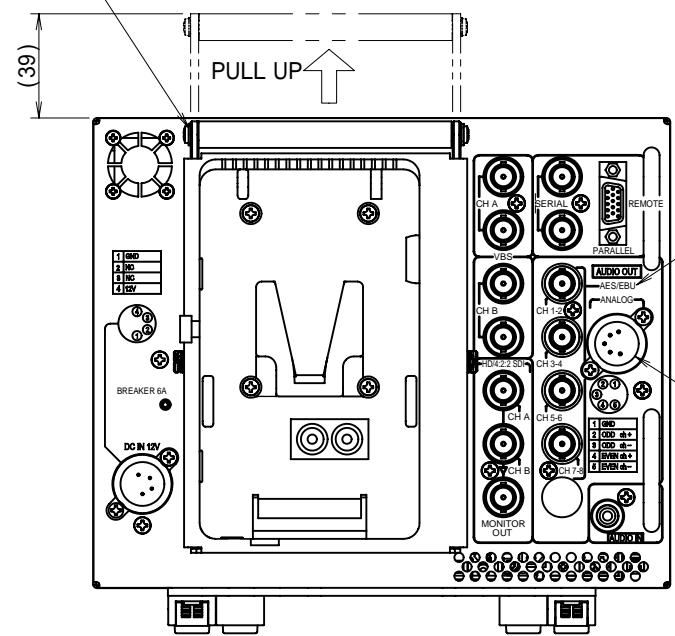
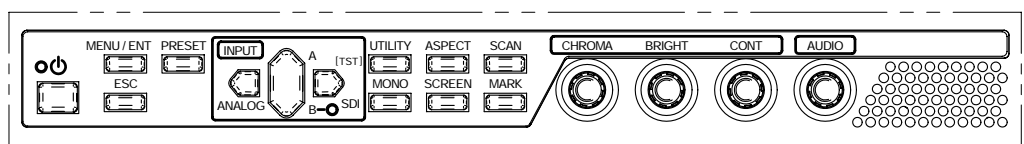
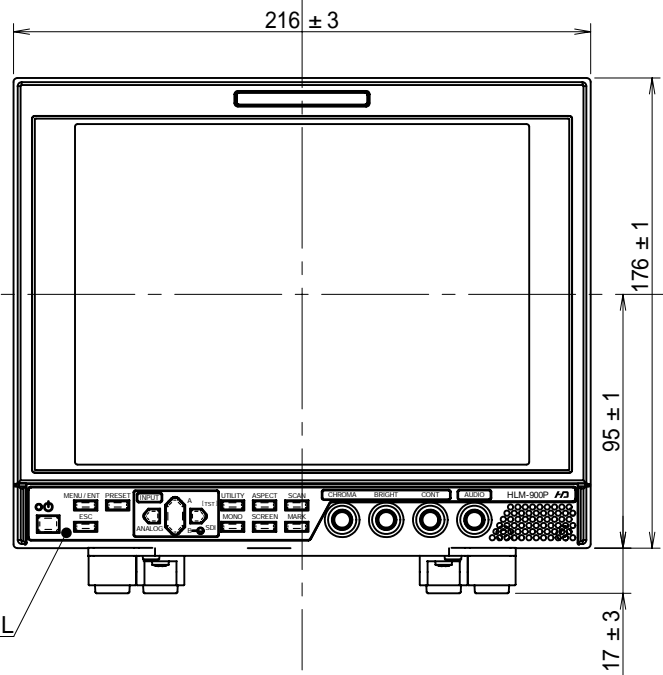
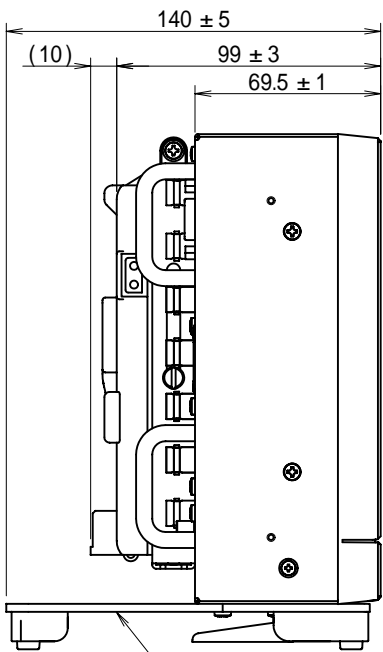


HANDLE



OPTION (EA-900D)

OPTION (EA-900A)



FRONT PANEL

		改版	変更日	変更内容	担当
UNITS		APPROVED		HLM-900P	
SCALE		CHECKED			
CAD		DRAWN	佐藤 05.04.27	OUTSIDE DRAWING ( / )	REV
		DESIGNED	佐藤 05.04.27		
				DWG. No.	REV
				K3-908515	1