

BRIGHTNESS manual switch/variable control

- This control is used to switch between Manual/ Preset of the brightness and to adjust the manual data.
- When the knob is pressed, it protrudes forward and the manual adjustment mode is established.

CONT manual switch/variable control

- This control is used to switch between Manual/ Preset of the contrast and to adjust the manual data.
- When the knob is pressed, it protrudes forward and the manual adjustment mode is established.

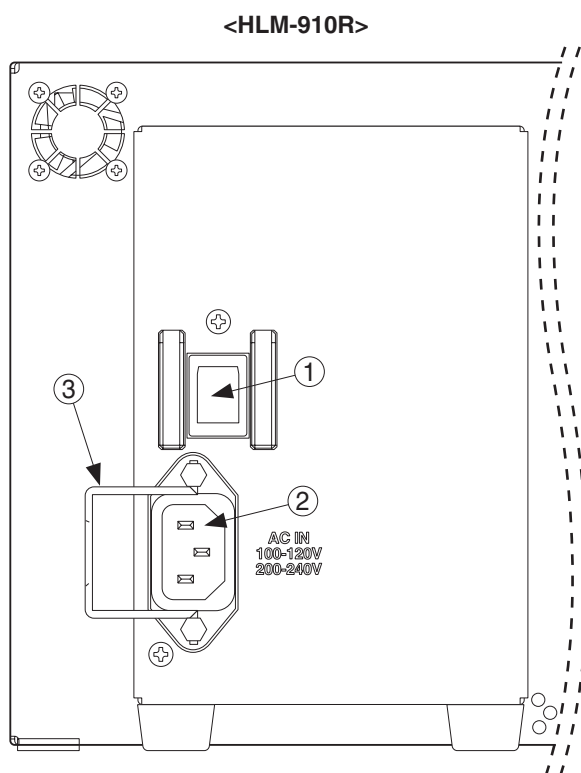
AUDIO volume

- This control is used to adjust the sound volume of the front speaker.
- * The audio (analog/embedded audio) to be output to the speaker is set on MENU4.
- * Embedded audio output is possible only when the monitor is equipped with EA-900DM (option).

Front speaker

- The audio (analog/embedded audio) set on MENU4 is output to this speaker.
- * Embedded audio output is possible only when the monitor is equipped with EA-900DM (option).

2-2. Rear panel (power supply section)



MAIN POWER switch (HLM-910R)

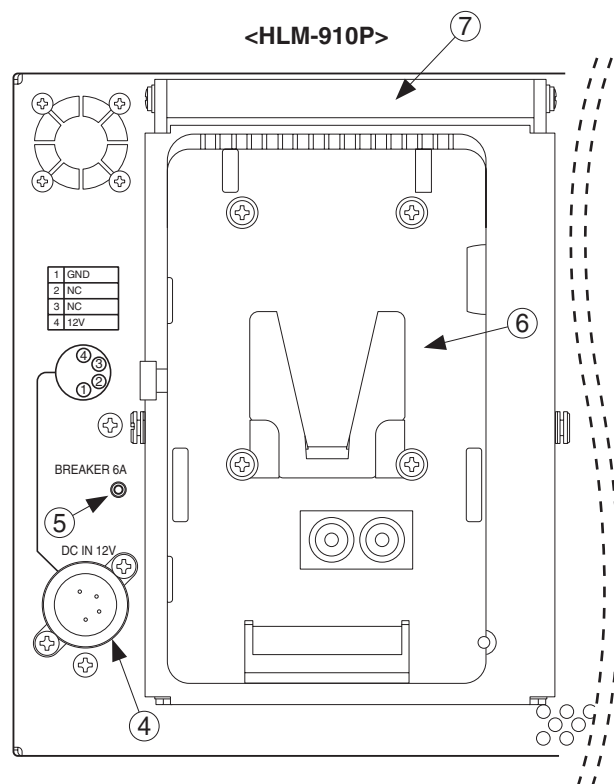
- This switch is used to turn ON/OFF the AC power supply for the monitor.
- To start the monitor, this switch is turned ON and also the [POWER] switch on the front panel is turned ON.

AC power supply input connector (HLM-910R)

- The accompanying AC cable is connected to this connector to supply AC power.

Locking hardware (HLM-910R)

- This hardware is used to lock the AC plug to prevent it from coming off.



DC input connector (HLM-910P)

- This connector is used to supply DC power (+10.5V to +18V).
Pin 1 is of negative polarity and Pin 4 is of positive polarity.

Always ensure that the polarity is correct.

- * When the battery is installed on the V-mount, the V-mount side supersedes.

Parallel connection with the DC input connector is not allowed.

Breaker (HLM-910P)

- This breaker is intended for preventing overcurrent from the DC power supply.

If this breaker is activated, repair the faulty part and then push in this button.

*1 When the breaker is activated, the button is only projected by several millimeters. Unless carefully observed, activation of the breaker may be unnoticeable in some cases.

*2 When the breaker is activated and its cause is evident, push in the button using a tip of a pencil or the like. When fully pushed in, a low click sound is heard.

*3 This breaker also works when the voltage with a wrong polarity is fed inadvertently to XLR 4-pin connector. It is not possible, however, that the breaker detects a wrong polarity in all environments.

In making a connection, always make sure that the polarity is correct.

V-mount-type battery adapter (HLM-910P)

- A V-mount type battery or AC-900 (optional V-mount type AC adapter), if used, is set here.

* When the shutdown alarm flickers during the battery-powered operation, turn the front panel power switch OFF and then ON again, or replace the battery with a fully charged one. (Parallel connection with the DC input connector is not allowed.)

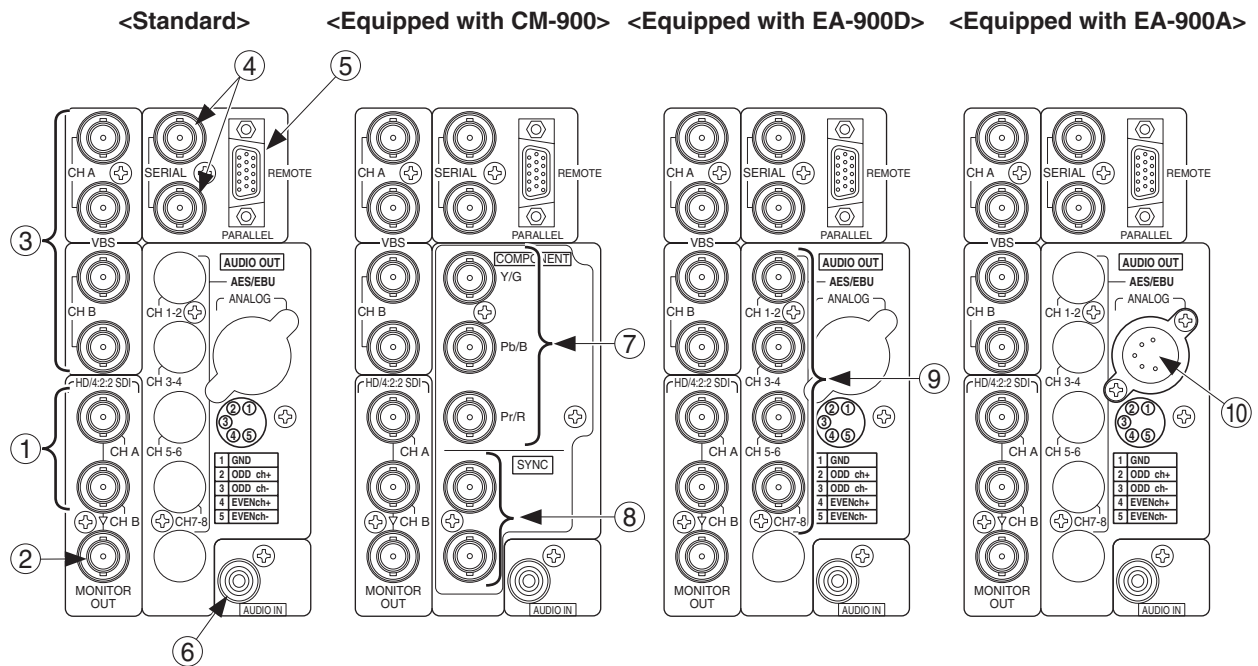
Prolonged use of over-discharged battery can cause a significant reduction in the battery service life.

Handle (HLM-910P)

- This handle is pulled out upward to carry the monitor.

* Lift the handle while holding it at both ends. Then the handle can be pulled out easily.

2-3. Rear panel (VIDEO input/output section / EMBEDDED AUDIO output section)



SDI A/B signal input

- HD-SDI or SD-SDI (4:2:2) signals are input through this connector.
- The format of an input signal is automatically detected to control the monitor.

SDI output signal

- The signal of the channel selected on the monitor is output from the A/B channel of the input SDI signal.
- * When channels are set to “ON” in “SDI CH LOCK” on MENU2, signal is output from only the channel set to “ON”.

VBS (analog composite) input (NTSC/PAL-B)

- NTSC/PAL-B VBS (analog composite) signals are input through this connector.
- When loop-through-connections are not made, a 75Ω termination should be connected.

SERIAL REMOTE input

- The BNC cable from the serial remote controller SRC-301A/Z is connected to this input.
- When loop-through-connections are made, up to 99 monitors can be controlled individually or in a block.
- When loop-through-connections are not made, a 75Ω termination should be connected.
- Set the monitor ID number on MENU2.

PARALLEL REMOTE input

- The included remote connector can be connected.
- For the pin connection, refer to “Document 1. Parallel remote pin assignment” or “4-8. Description of function of MENU6”.

Analog audio signal

- Analog audio signals are input through this connector.

YPbPr/RGB (analog component) signal input

- * Only when equipped with CM-900 (option)
- YPbPr signals or RGB signals are input through this connector.
- Setting between YPbPr/RGB is made on MENU1.
- When the signal format is 1080i/60 or 1035i/60, it is necessary to make setting of “1035/1080i” on MENU1.

External synchronization signal input

- * Only when equipped with CM-900 (option)
- To externally synchronize YPbPr/RGB signals or VBS signals, External synchronization signals are input through this connector.
- When loop-through-connections are not made, a 75Ω termination should be connected.

AES/EBU output

* Only when equipped with EA-900DM + EA-900D (option)

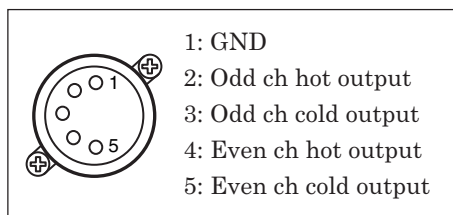
- Digital audio signals in the AES/EBU format are output through this connector.
- It is not ready for the consumer format (SPDIF).
- When connecting it with a device having an impedance of 110Ω, use a converter.

EMBEDDED ANALOG AUDIO line output

* Only when equipped with EA-900DM + EA-900D (option)

- One pair channel is selected from the four pair channels on MENU4 and 2-channel analog audio signals are output through this connector.
- Use NC5FX (made by NEUTRIK) or its equivalent (XLR-5-11C) as the output connector.
- For the pin connection, refer to “Embedded analog audio output (EA-900A)” shown below.
- When using it with unbalanced connections, output the signals from the hot side. In this case, the signal level is reduced by half. In the case of use with unbalanced connections, the level may be too high depending on the device to be connected. In such a case, reduce the level by inserting an attenuator etc. between the devices.

<Embedded analog audio output (EA-900A)>



In the case of the embedded analog audio 2-channel output, it is possible to select one pair channel of ch1/2, 3/4, 5/6/ and 7/8 (among 8 channels) on MENU4. By default, ch1/2 is selected. It is also possible to make selection with the [UTILITY] switch on the front.