



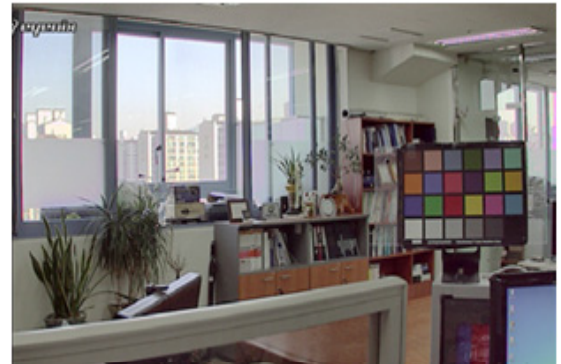
IHD-D525S

HD Hybrid Dome Camera

Features:

- 1/2.9" 2 Mega Pixels "Exmor" CMOS Image Sensor
- 1080P Full HD Hybrid Output support
CVBS (Default, not support WDR), 1080P Full HD Hybrid Output CVI,AHD
- Natural Color Reproduction and clear & vivid image
- Enhance Local Real-time Surveillance Image Quality
- Double shutter Wide Dynamic Range Compensation(WDR@15fps)

WDR function extends dynamic range of image by composing each differently exposed image. It repeatedly applies long exposure and short exposure for every frame. It applies adaptive tone mapping algorithm to establish linearity among these two images.



- Adaptive Digital Noise Reducer (2D/3D)

This feature removes noise in images(spatial, temporal domain).

Temporal noise is reduced by 3D filter using frame memory and spatial noise is reduced by 2D filter.

Especially, the ghost effect is reduced by motion adaptive filter.

- Adaptive Contrast Enhancer (ACE)

This function is a local adaptive contrast enhancement.

It uses a histogram analysis and tone mapping method in pixel domain.

- OSD (On Screen Display)

This camera supports the OSD function.

And so, the camera can be controlled via selecting text displayed on the monitor screen.



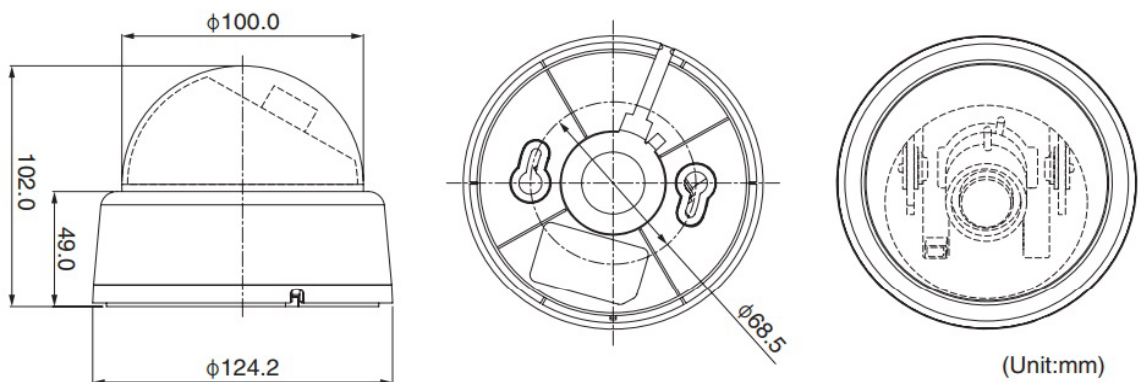
IHD-D525S

HD Hybrid Dome Camera

Specifications:

Image Sensor	1/2.9" 2 Mega Pixels "Exmor" Sensor (IMX322)
HD Resolution	Full HD 1920(H) x 1080(V)
Frame Rate	1080P-Full HD (30FPS/25FPS)
Scanning system	16:9 Progressive Scan
Min.Illumination(F1.2)	More than Color 0.2Lux, B/W 0.08Lux (sens up « off »)
S/N Ratio	More than 52dB (AGC off)
Video Output	Analog Output - CVBS (default) HD Output - CVI,AHD 1080p@30_25fps
Day & Night	Digital Day/night (Auto/Day/B&W/EXT)
Color Temperature	1800 ~ 10500K
Wide Dynamic Range	Support (1080p@15fps)
AGC	Level Setting(0~10)
Electronic shutter	Auto,Manual,Flicker,1/30.000 sec maxiam
White Balance Control	AUTO / AUTO ext / PUSH / MANUAL
Digital Noise Reduction	2D+3D, OFF/LOW/MIDDLE/HIGH
ACE	Off/LOW/MIDDLE/HIGH
DEFOG	Off/ON
Privacy Mask	16 Areas (On/Off, Color, Position)
Camera ID	Off/On (1 Line, Up to 8 characters, alphanumeric)
Motion Detection	Off/ON
Sens-Up	Auto(x2 ~ x32)
Operating Temperature & Relative Humidity	-10°C ~ +50°C RH 30% to 90% (no condensation)
Lens	Built-in. Vari-focal Lens: f2.8mm ~ 11.0mm
Power Consumption	AC 24V ±10%, DC 12V(+10.5V~+15V), 2.0W
Outer dimensions	ø124.2mm x 102.0mm (excluding protrusions)
Weight	Approx. 340g

Dimensions:



Design subject to change without notice

300E Route 17S, Mahwah, NJ 07430 , Phone (201)368-9171 Fax (201)569-1626 , email: cctv@ikegami.com