

# Ikegami

18.5 INCH SD / HD / 3G-SDI IN / OUT

LED

FULL HD 1080p



SD · HD · 3G-SDI

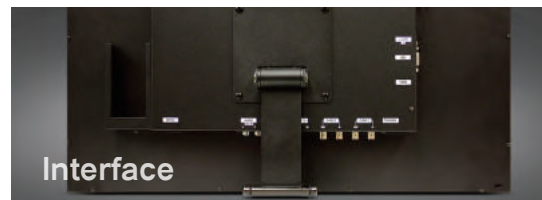
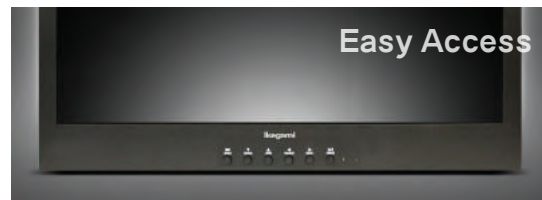
## ULE-185U

### OVERVIEW

The IKEGAMI ULE-185U incorporates the SD / HD / 3G-SDI formats with latest panel and image processing technology to provide higher contrast and accurate scaler at a price that fits your budget.

### FEATURES

- » Full HD display that delivers real time broadcast grade images
- » LED backlight to extend the lifetime and save power
- » SD / HD / 3G-SDI (level A) is supported in addition to composite, PC (VGA), HDMI inputs
- » Haze 25%, 3H surface coating
- » Wireless remote control



# ULE-185U

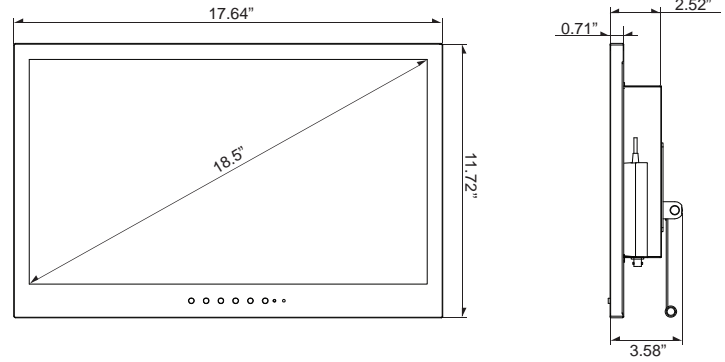
SD / HD / 3G-SDI INPUT MONITOR

## SPECIFICATIONS

ULE-185U	
<b>Display</b>	
Screen Size	18.5 Inch
Max. Resolution	1366 x 768 @ 60Hz
Pixel Pitch	0.300 x 0.300mm
Surface	Haze 25%, 3H coating
Brightness	250cd/m <sup>2</sup>
Contrast Ratio	1000 : 1
Aspect Ratio	16 : 9
Viewing Angle (H/V)	170° / 170°
Display Color	16.7 Million
Response Time	< 5ms (Gray to Gray)
Video System	NTSC / PAL
<b>Interface</b>	
SDI In / Out	1 In / 1 Out
SD-SDI	525i (59.94) NTSC, 625i (50) PAL
HD-SDI	720P (50 / 59.94 / 60) 1080i (50 / 59.94 / 60) 1080P (23.98 / 24 / 25 / 29.97 / 30) 1080PsF (25 / 29.97 / 30)
3G-SDI	1080P (50 / 59.94 / 60)
Video In / Out (BNC Type)	2 In / 2 Out
HDMI In	1 In
VGA In (15Pin D-Sub)	1 In
Audio In (RCA Type)	2 Left & Right
USB	1 In (Only F/W update)
Trigger In	1 In
PC Stereo In	1 In
<b>Transmitter</b>	
Remote Control	Yes
<b>Audio</b>	
Built-in Speakers	Yes (2W x 2)
<b>Features</b>	
Filter Type	3D Comb Filter is built-in
Deinterlacing	Yes
Noise Reduction	Yes
Advanced Auto Power Recovery	Yes
Trigger Sensor	Yes
Auto Pixel Shift	Yes
Auto Source Sequencing	Yes
Multi Language	English, Spanish, French, German, Italian
<b>General (W x H x D)</b>	
Outline Dimension	17.64" x 11.72" x 3.58"
Net Weight	4.8Kg (10.58 lbs)
Material / Color	Metal / Black
Desk Top Stand	Kick Type
Power	< 27W DC12V / 3.33A AC100 ~ 240V (50/60Hz)
Operating Temperature	0 ~ 40° C / 32 ~ 104° F
<b>Optional Mounts</b>	
VESA™ Mount Size	100 x 100mm
Wall	WB-5, WB-10, WB-30, WB-31
Ceiling	CMK-01

\*Design and specifications are subject to change without notice

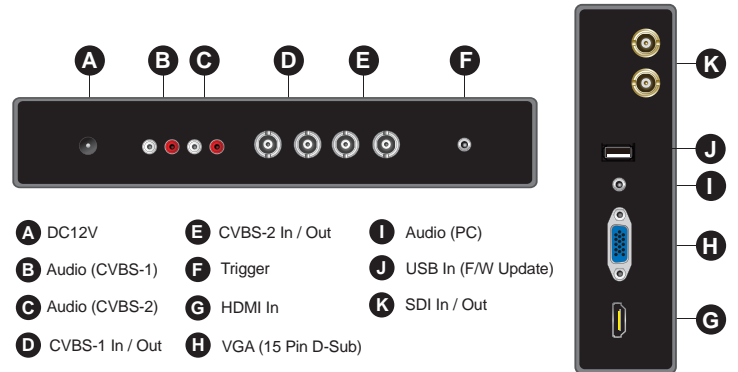
## DIMENSIONS



## REAR VIEW AC ADAPTER



## INPUT INTERFACE



## OPTIONAL RACK MOUNT EAR

