

Ikegami

18.5 INCH SD / HD / 3G-SDI IN / OUT

LED

FULL HD 1080p



SD · HD · 3G-SDI

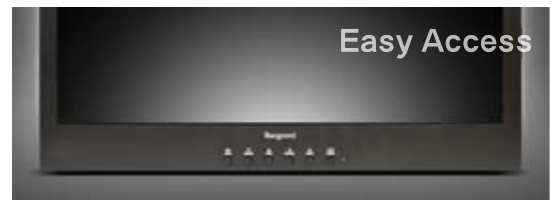
ULE-185

OVERVIEW

The IKEGAMI ULE-185 incorporates the SD / HD / 3G-SDI formats with latest panel and image processing technology to provide higher contrast and accurate scaler at a price that fits your budget.

FEATURES

- ▶ Full HDTV display that delivers real time broadcast grade images
- ▶ LED backlight to extend the lifetime and save power
- ▶ SD / HD / 3G-SDI (level A) is supported in addition to composite, PC (VGA), Component, DVI-D and HDMI inputs
- ▶ Non-glare surface coating
- ▶ Wireless remote control
- ▶ PIP / PBP multi display function



Easy Access



Interface



Industrial



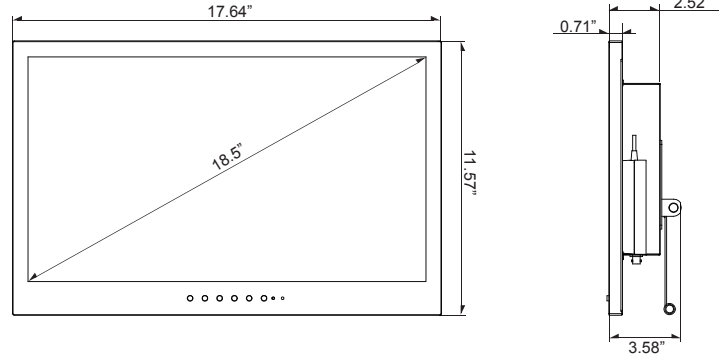
Built to run 24 x 7 x 365
Continuously

SPECIFICATIONS

ULE-185	
Display	
Screen Size	18.5 Inch
Max. Resolution	1366 x 768 @ 60Hz
Pixel Pitch	0.300 x 0.300mm
Surface	Non-glare coating
Brightness	250cd/m ²
Contrast Ratio	1000 : 1
Aspect Ratio	16 : 9
Viewing Angle (H/V)	170° / 170°
Display Color	16.7 Million
Response Time	< 5ms (Gray to Gray)
Video System	NTSC / PAL
Interface	
SDI In / Out	1 In / 1 Out
SD-SDI	480i (59.94) / 575i (50)
HD-SDI	720P (50 / 59.94 / 60) 1080i (50 / 59.94 / 60) 1080P (24 / 25 / 29.97 / 30)
3G-SDI	1080P (50 / 59.94 / 60)
Video In / Out (BNC Type)	2 In / 2 Out
S-Video In / Out	1 In
DVI-D In / HDMI In	1 In / 2 In
VGA In (15Pin D-Sub)	1 In
Component	1 In
Audio In (RCA Type)	3 Left & Right
PC Stereo In	1 In
Transmitter	
Remote Control	Yes
Audio	
Built-in Speakers	Yes (4W x 2)
Features	
Multi Display Function	PIP / PBP
Filter Type	3D Comb Filter is built-in
Deinterlacing	Yes
Noise Reduction	Yes
Advanced Auto Power Recovery	Yes
Trigger Sensor	Yes
Auto Pixel Shift	Yes
Auto Source Sequencing	Yes
Multi Language	English, Spanish, French, German, Italian
General (W x H x D)	
Outline Dimension	17.64" x 11.72" x 3.58"
Net Weight	4.8Kg (10.58 lbs)
Material / Color	Metal / Black
Desk Top Stand	Kick Type
Power	< 27W
	DC12V / 3.33A
Operating Temperature	AC100 ~ 240V (50/60Hz) 0 ~ 40° C / 32 ~ 104° F
Optional Mounts	
VESA™ Mount Size	100 x 100mm
Wall	WB-5, WB-10, WB-30, WB-31
Ceiling	CMK-01

*Design and specifications are subject to change without notice

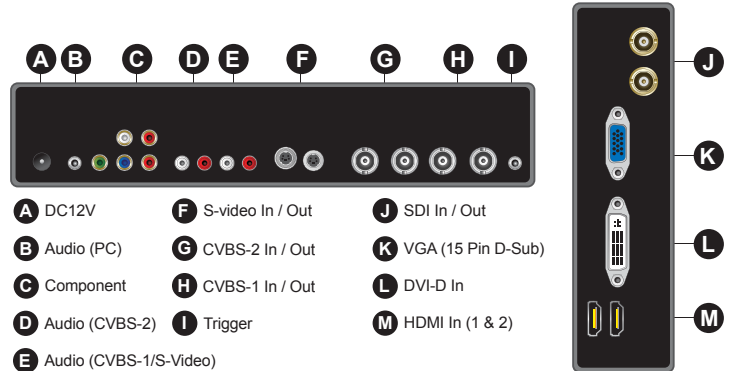
DIMENSIONS



REAR VIEW AC ADAPTER



INPUT INTERFACE



OPTIONAL RACK MOUNT EAR



Optional rack mountable Rack Ear is available