

# TECHNICAL BULLETIN

Ikegami

37 Brook Avenue, Maywood, New Jersey 07607 • (201) 368-9171

Date: 3/31/08  
Engineer: Larry Cuccio  
Page: 1 of 5

To: Distribution  
Product: SE-79HD System Expander  
Symptom: Loss of vertical sync in video in the LCD Viewfinder

To upgrade the SE-79D System Expander to accept all formats, a new multi-format Video Board is installed. Occasionally, a problem can occur where vertical sync is lost in the VF video, resulting in an unstable, rolling image. This problem occurs only in the multi-format video board with PCB # PE6411E. To correct this problem, two resistors, R527 (33K ohm) and R554 (33K ohm) will need to be changed to 15K ohm values.

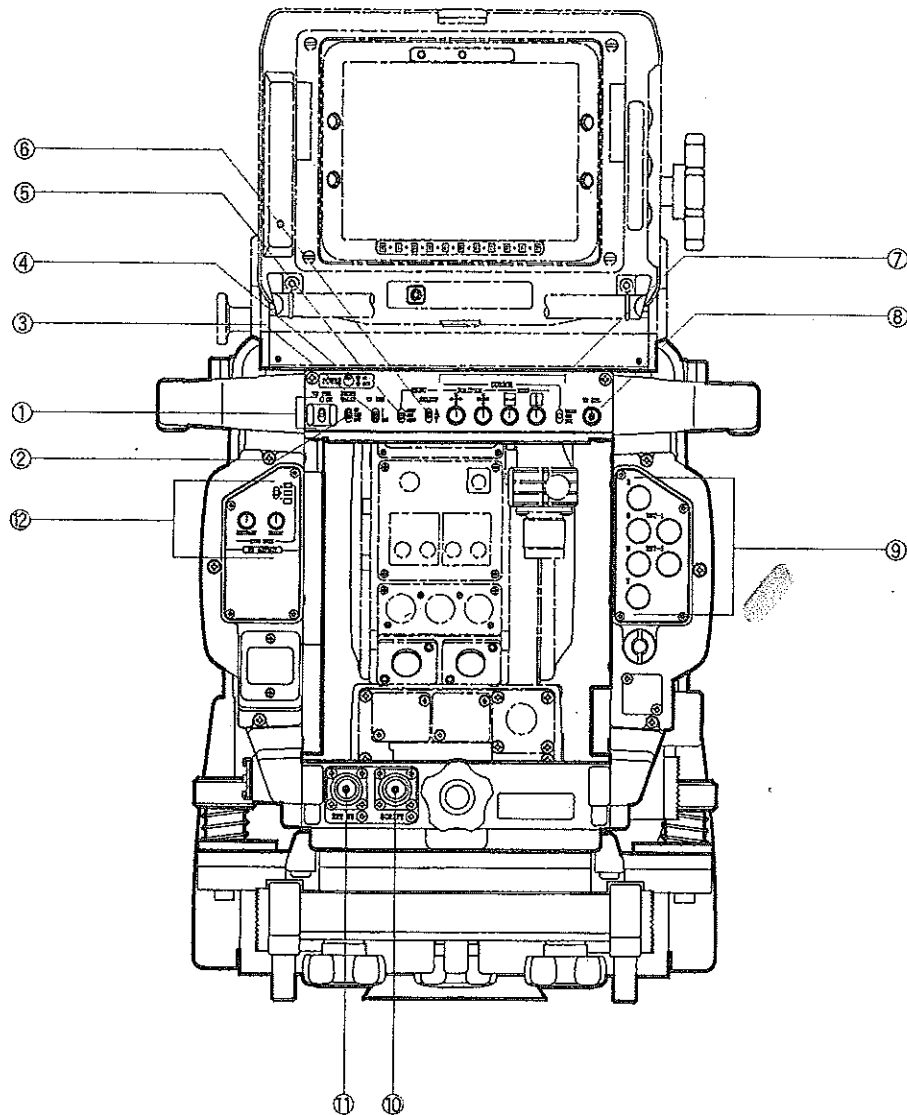
## Modification Procedure

1. Remove the video board. It is located in the rear of the system expander, on the left side behind the panel with the VF aspect control and tally light. Loosen three screws to remove this panel. ( Refer to Fig. 1, control location 12, for panel location ).
2. Remove resistors R527 and R554. Refer to Fig. 2 for their location.
3. Replace with 15K ohm resistors.

## Replacement Components

Resistor, 15K ohm, P/N RGC1/16C 153D

## 3.2 Rear View of System Expander



- ① VF POWER switch and Indicator
- ② FRONT TALLY switch
- ③ VF IND switch
- ④ HEAD POWER indicator
- ⑤ MENU switch
- ⑥ MENU SELECT switch

- ⑦ CURSOR controls
- ⑧ VF DTL LEVEL control
- ⑨ VF SELECT switches
- ⑩ SCRIPT connector
- ⑪ RET SW connector
- ⑫ VF ASPECT switch

FIG. 7

SE VIDEO-2 PCB # PE6411E

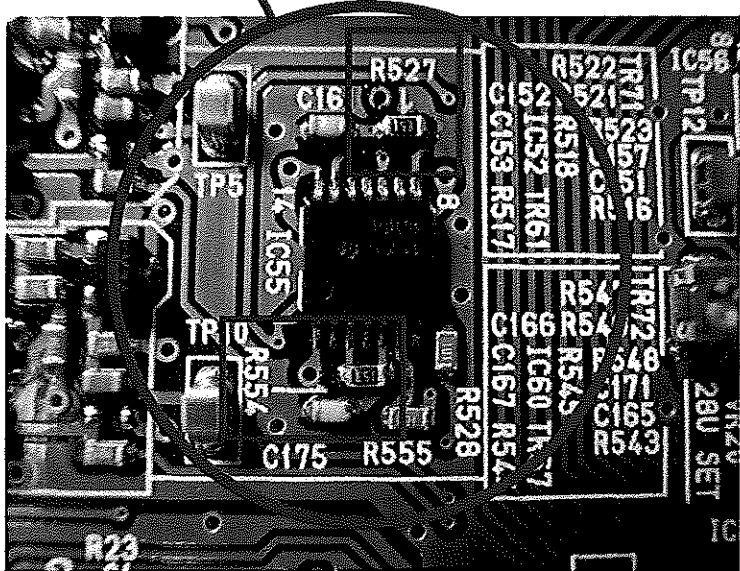
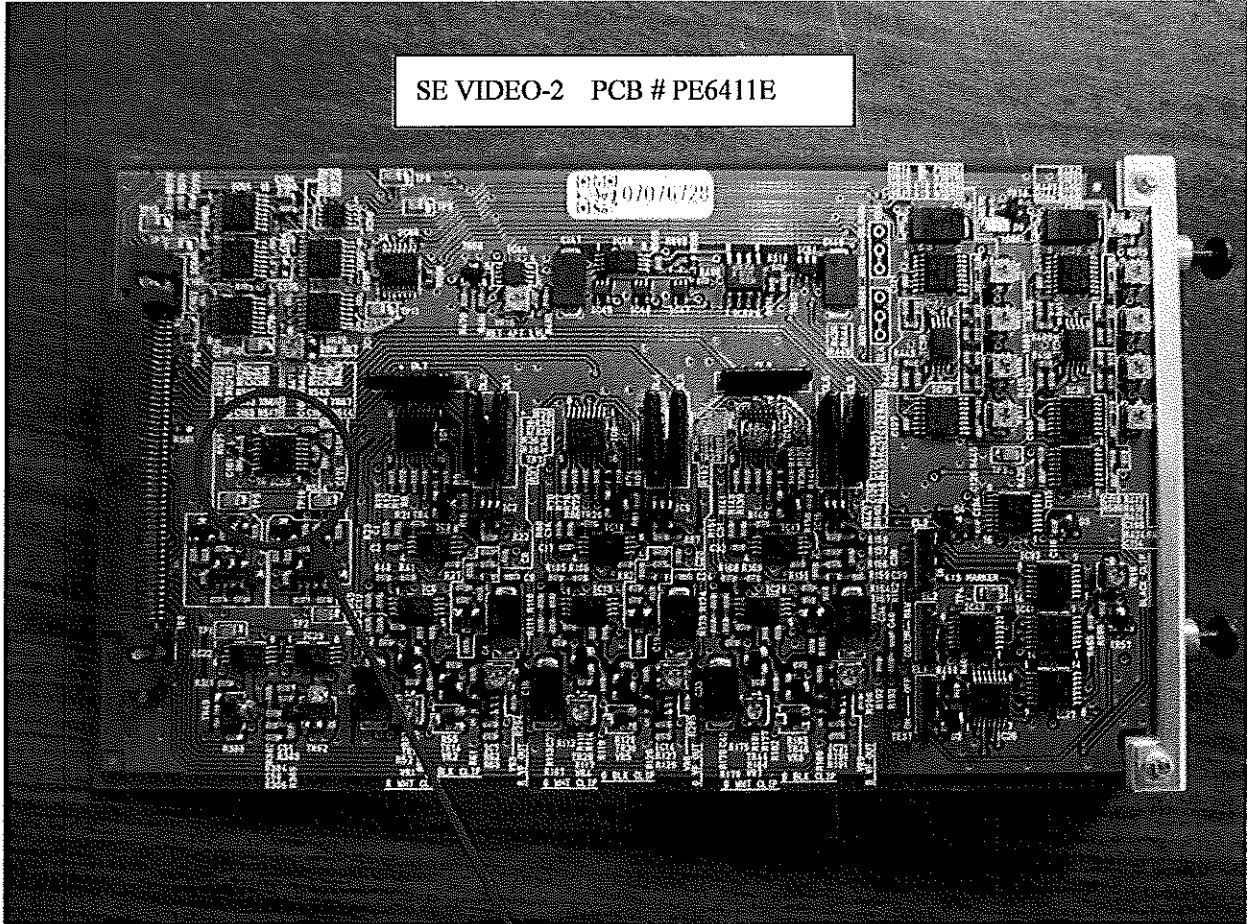
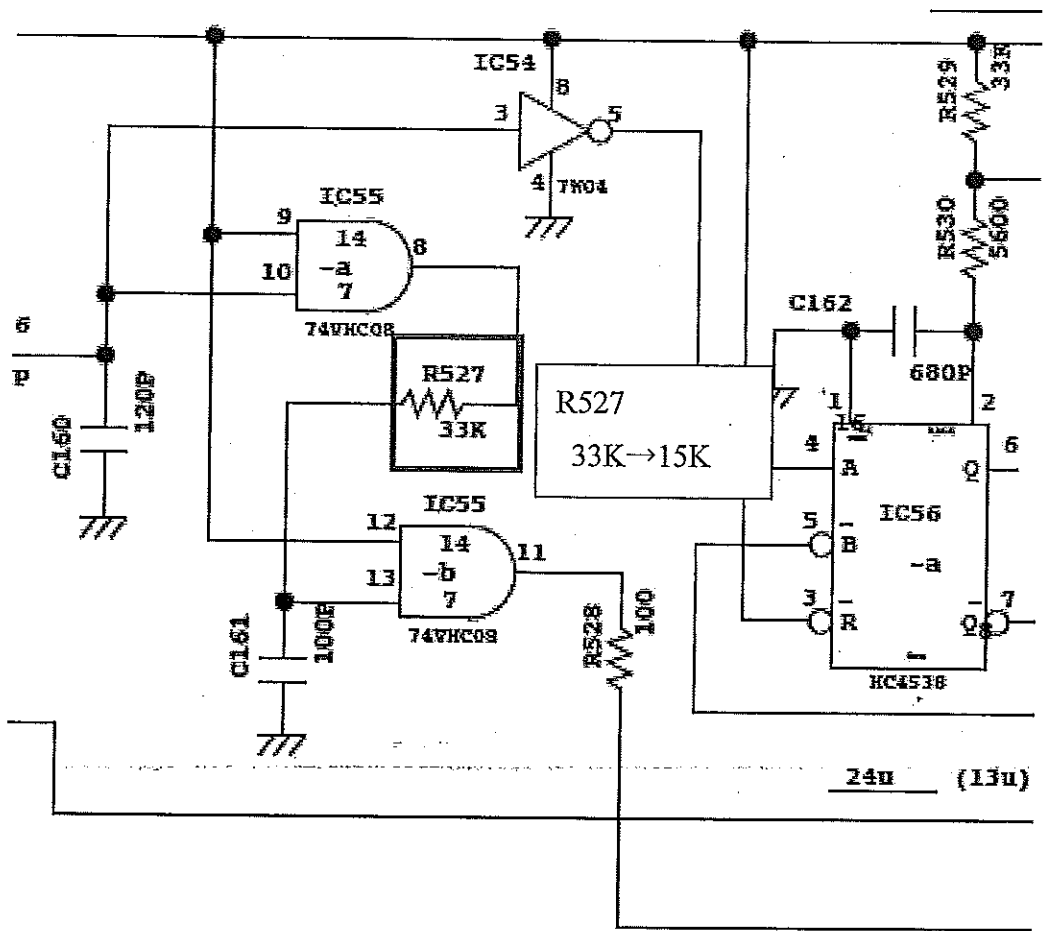
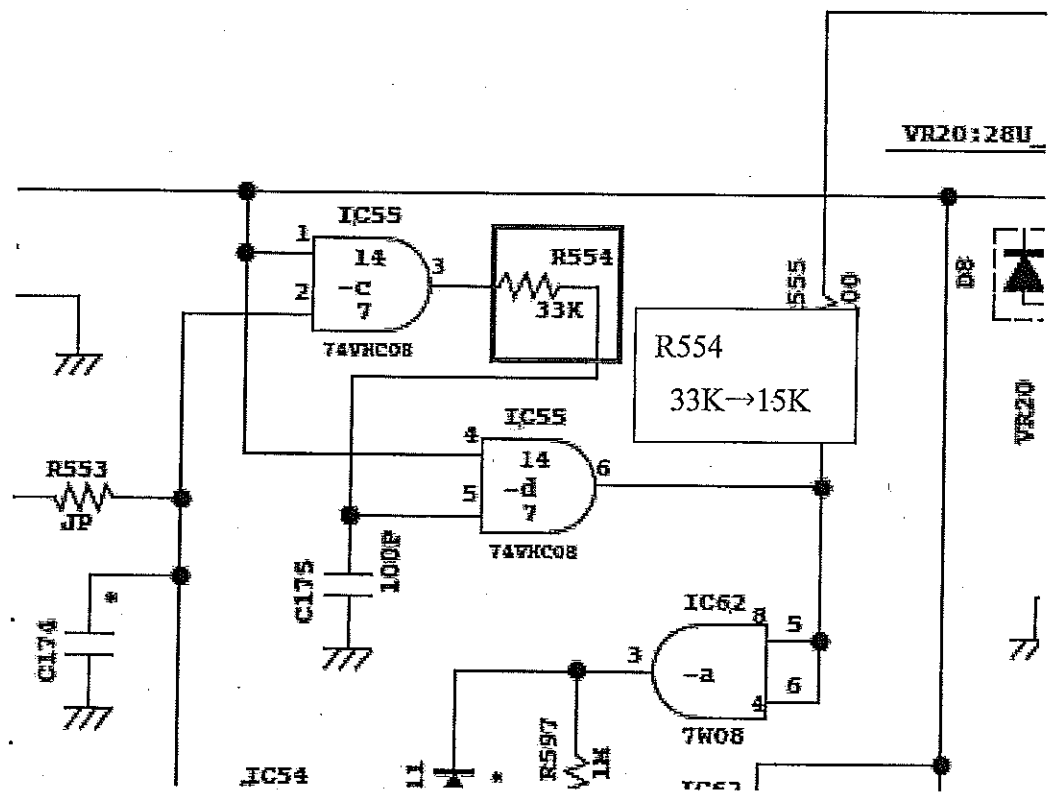


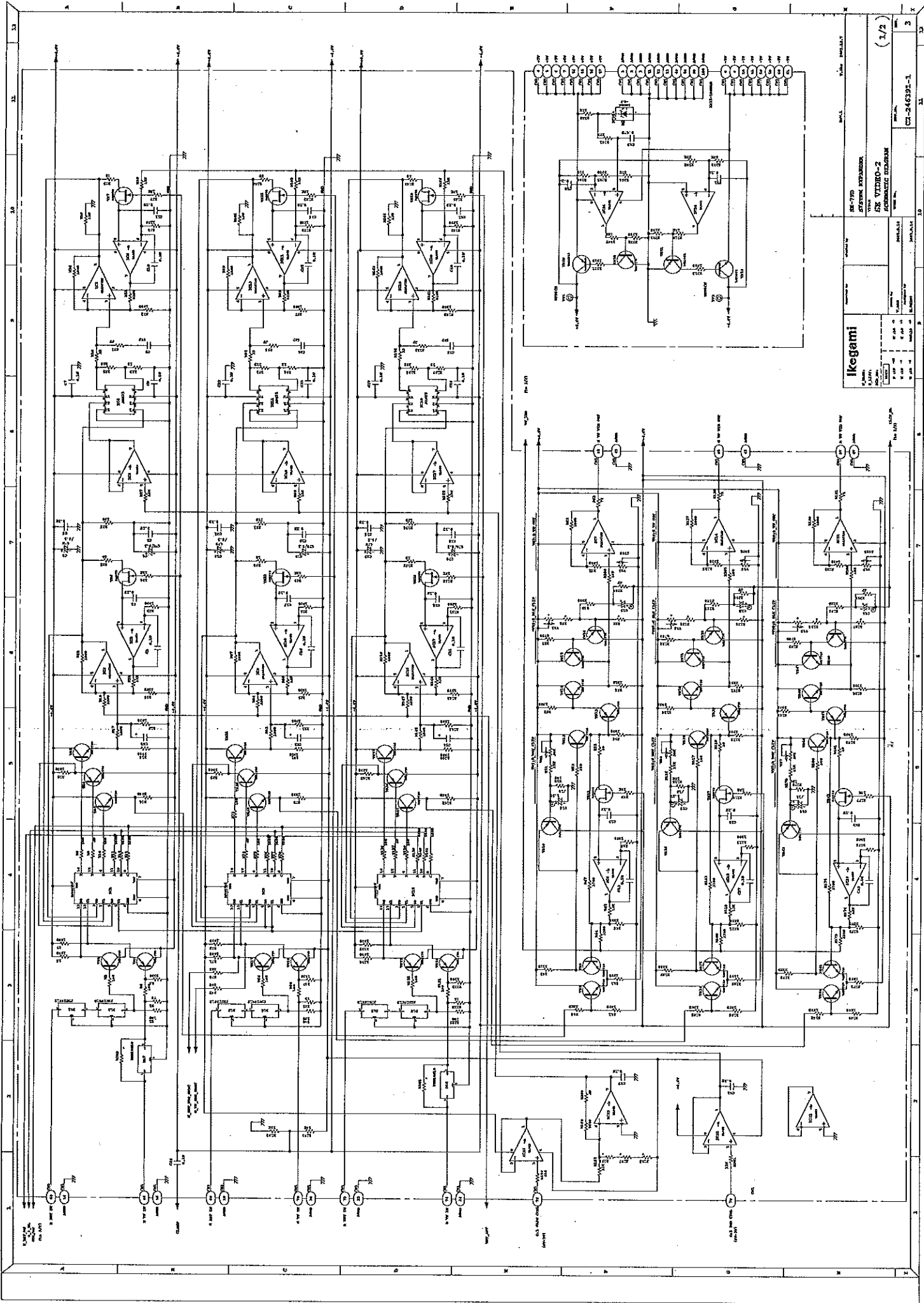
Fig 2



24u (13u)

VR20: 28U



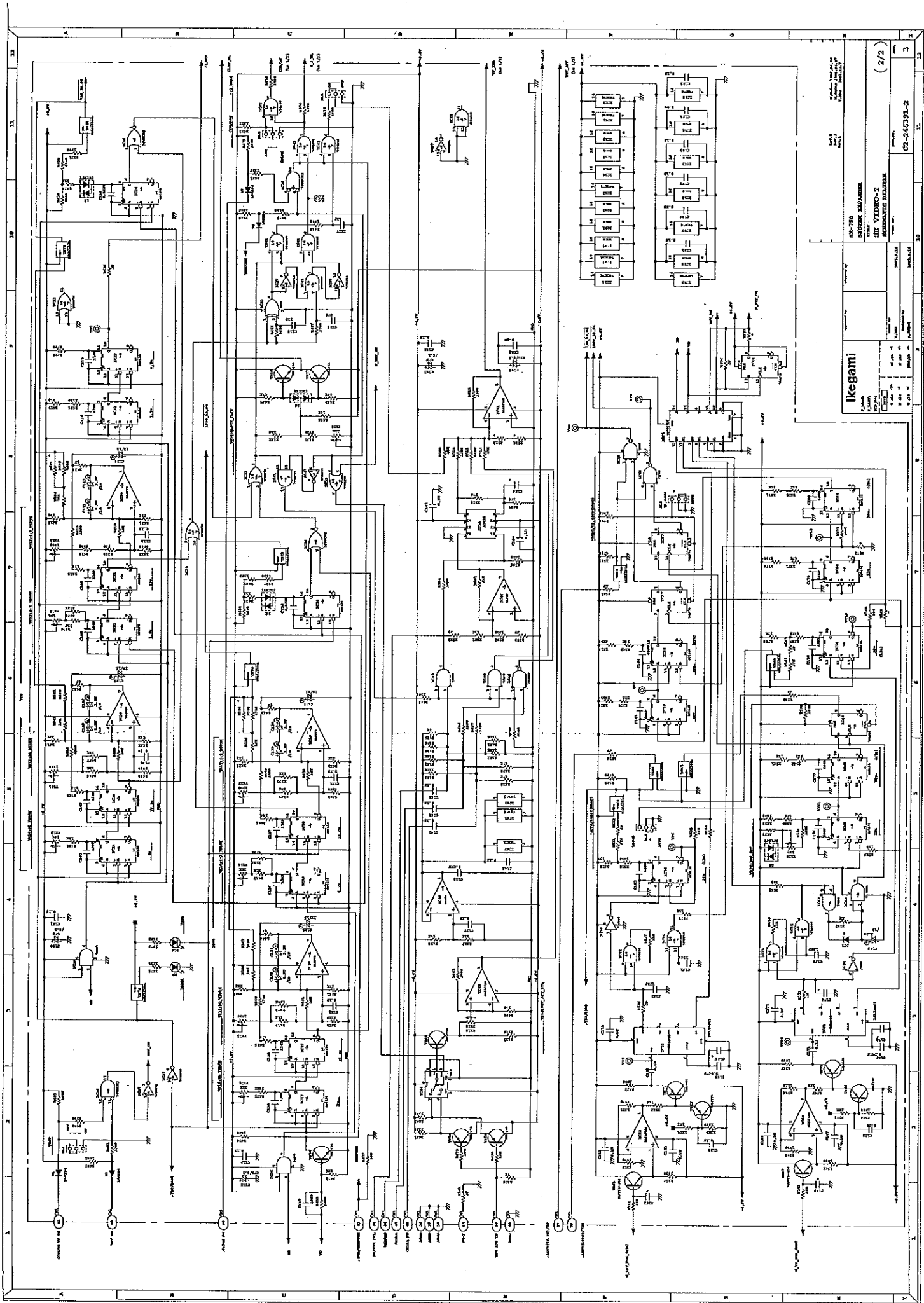


Ikegami

MODEL: VTR-770  
 SYSTEM: VTR-770  
 SN: VTR-770-2  
 ACB: VTR-770-2

(1/2)

CT-346391-1



Ikegami

68-770  
 68-771  
 68-772  
 68-773  
 68-774  
 68-775  
 68-776  
 68-777  
 68-778  
 68-779  
 68-780  
 68-781  
 68-782  
 68-783  
 68-784  
 68-785  
 68-786  
 68-787  
 68-788  
 68-789  
 68-790  
 68-791  
 68-792  
 68-793  
 68-794  
 68-795  
 68-796  
 68-797  
 68-798  
 68-799  
 68-800

(2/2)

CS-246391-2