

# TECHNICAL BULLETIN

Ikegami

37 Brook Avenue, Maywood, New Jersey 07607 • (201) 368-9171

Date: 1/12/09  
Engineer: Larry Cuccio  
Page: 1 of 6

To: Distribution

Product: FA-79A Fiber Cable Adapter

Symptom: A camera using an FA-79A Adapter connected to a Telecast SHED/HDX Unit would either power cycle, or power down after several hours of operation. It was determined that the 1K load of the SHED unit causes a capacitor on the FA P/S & AUD Module to be reversed biased, which causes the voltage on one low voltage standby line to increase over time, sometimes exceeding the detection range for SHED. This capacitor ultimately becomes damaged over time, further increasing the voltage on the line, which may prevent the camera from powering up with the SHED unit.

Purpose of Modification: To ensure compatibility with the Telecast SHED System by changing the damaged capacitor to a bi-polar one.

#### Modification Procedure:

1. Remove the P/S & Audio board from the FA-79A Adapter. Refer to Fig. 1 for module location and removal.
2. Remove capacitor C323 (15uF/16v), and replace with a 10uF/10V Bi-polar type, Part No. UMP1A100MDD (10uF/10V). Since the bi-polar replacement capacitor is not a surface mount type, it should be mounted on its side using a silicone adhesive to maintain position. Refer to Figs. 2 - 5 for part location, final modification, and schematic. See note below.
3. SHED software MUST be upgraded to Version 11 or higher for proper operation with our cameras. Contact Telecast for software upgrade.

Note: If the PC bd. is blue, lead free solder MUST be used. If it is green, then it is okay to use lead solder.

**(5) E/O&O/E, FA POWER, S/P&D/A, P/S&AUD and FA AUX module of Fiber Camera Adaptor**

E/O & O/E module, FA POWER module, S/P & D/A module, P/S & AUD module and FA AUX module are located inside the left side of the fiber camera adaptor.

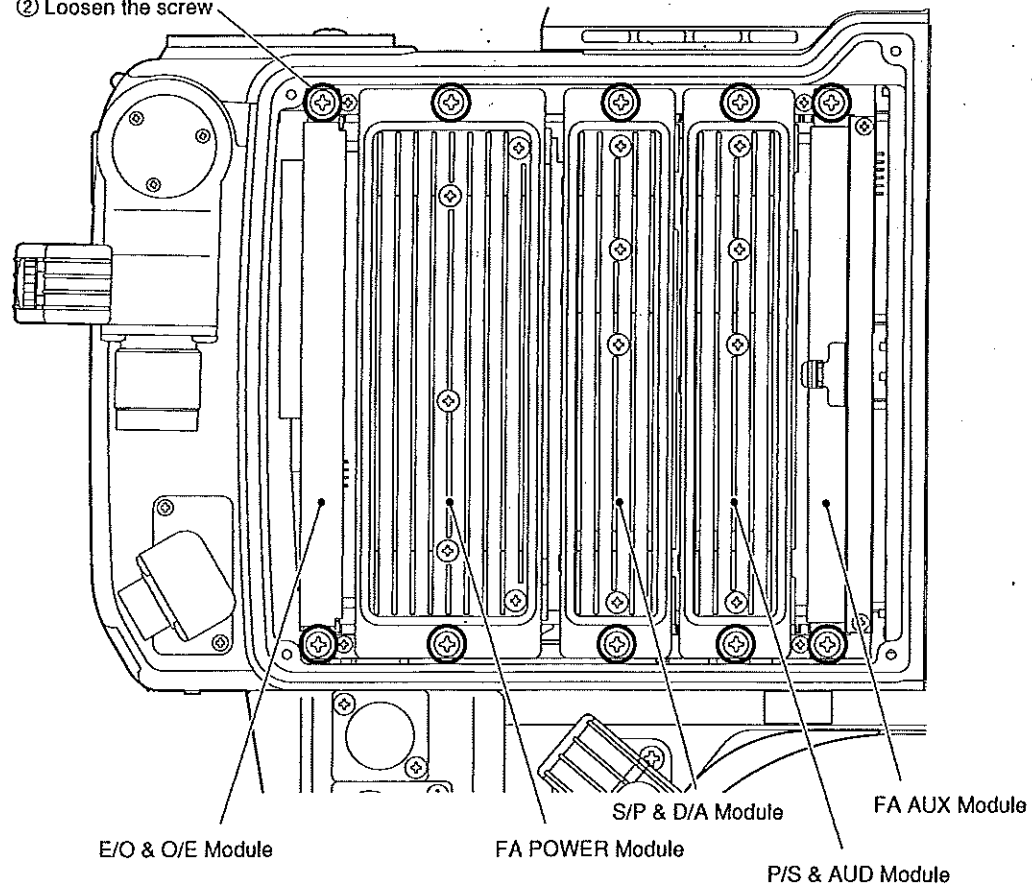
**Module Removal**

1. Loosen the four left side cover screws, located on the left side of the fiber camera adaptor, using a flat-blade screwdriver, and remove the left side cover.
2. Loosen the two screws, located on the front of the modules, using a crossed screwdriver, and pull the modules gently along the rails in the horizontal direction to remove it.
3. The optical cables or the coaxial cables are connected to E/O & O/E module, S/P & D/A module and P/S & AUD module, all those cables are disconnected.

module	optical cable	coaxial cable	multi cable
E/O & O/E	2	2	1
E/O & O/E (HS type)	2	3	1
S/P & D/A		1	
P/S & AUD		2	
P/S & AUD (HS type)		4	

**Module Location**

② Loosen the screw



Inside the left side of Fiber Camera Adaptor

Fig. 1

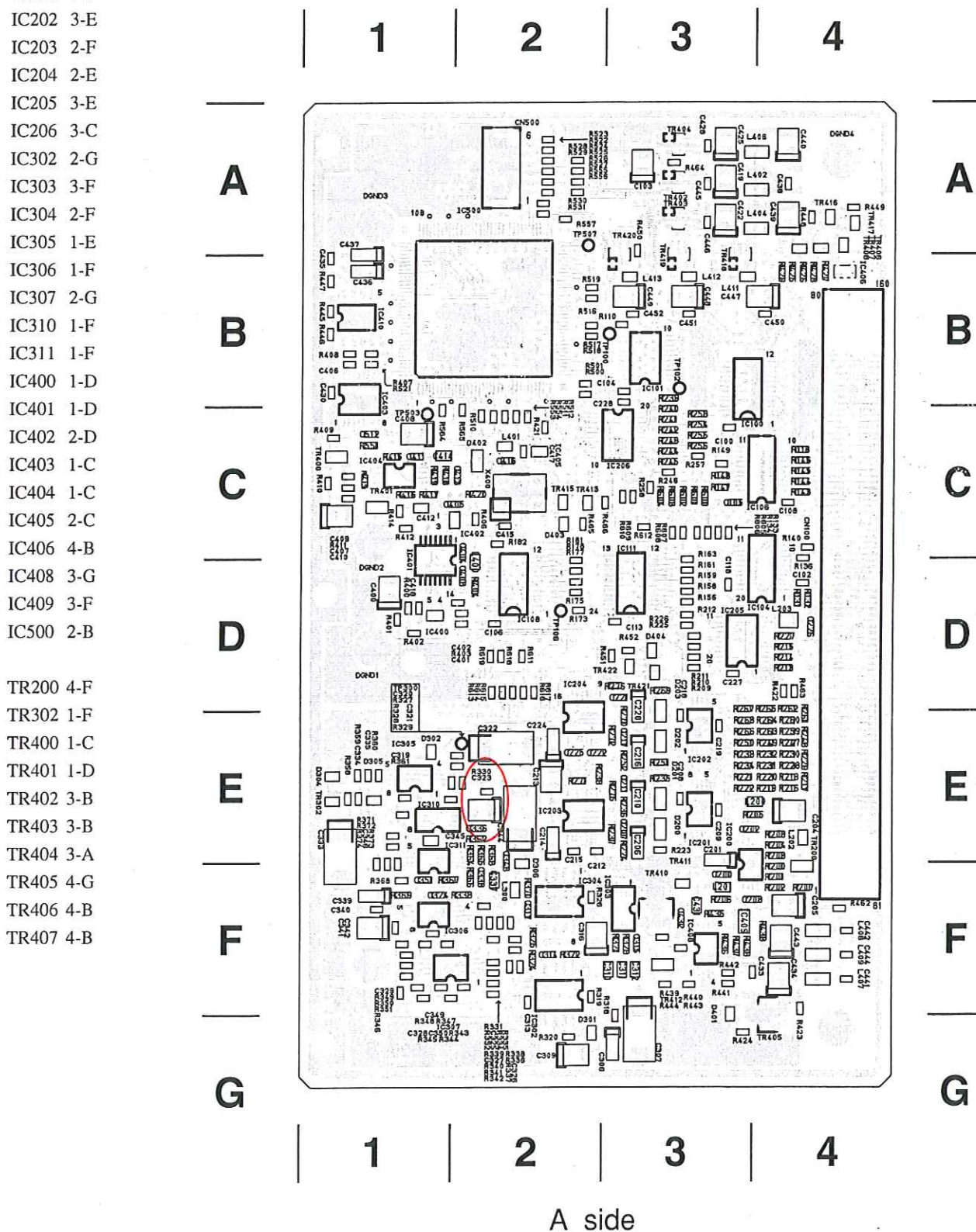
**Module Installation**

Reverse the procedure to install the removed module back.

To remount each module, gently push it in along the rails after all those cables (the optical cables or the coaxial cables) are connected. Each coaxial cable is marked to distinguish its colors and optical cables have their own numbers (1 and 2). Connect each cable to a connector which has same mark or number.

Fig. 2

IC100 3-C	TR410 3-F	TR415 2-D	D200 3-F	D301 2-G	D306 2-F
IC101 3-C	TR411 3-F	TR417 4-B	D201 3-F	D302 1-E	D401 3-G
IC106 4-C	TR412 3-G	TR418 3-B	D202 3-E	D304 1-E	D402 2-C
IC200 3-F	TR413 2-D	TR419 3-B	D203 3-E	D305 1-F	D403 2-D



(Note)  
 Parts layout of the P/S & AUD module and the P/S & AUD (HS) module is the same.  
 However, the number of mounted parts is different.

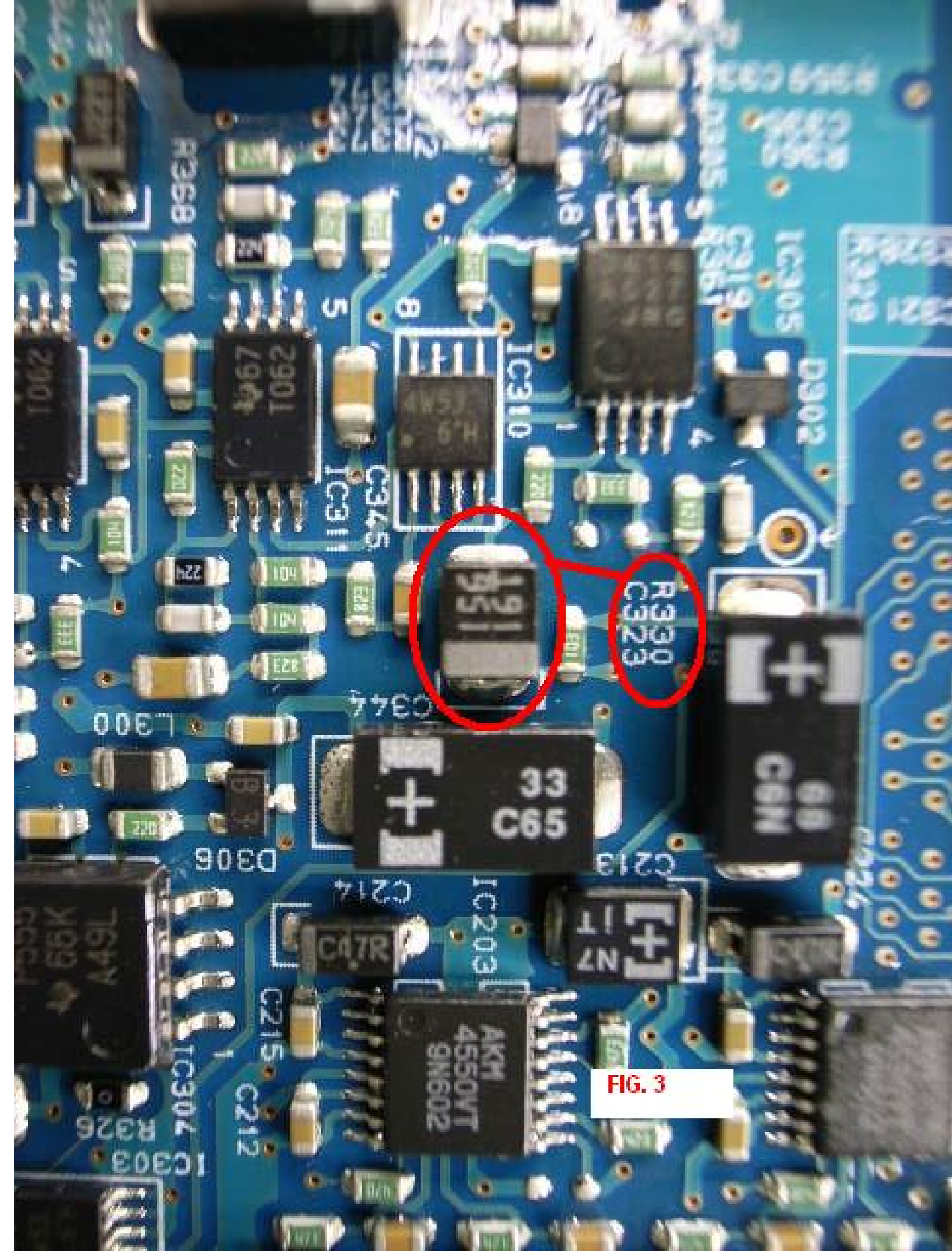


FIG. 3



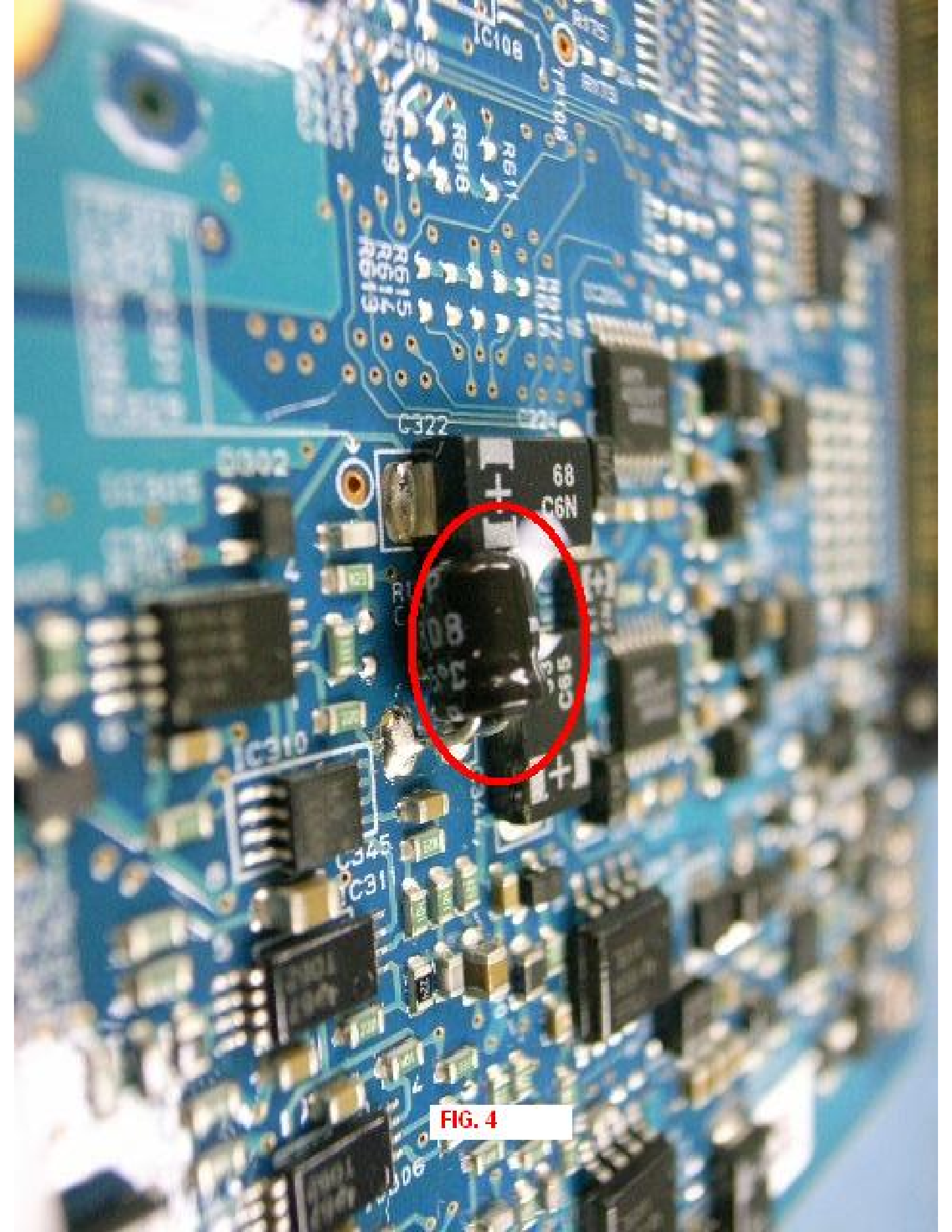


FIG. 4

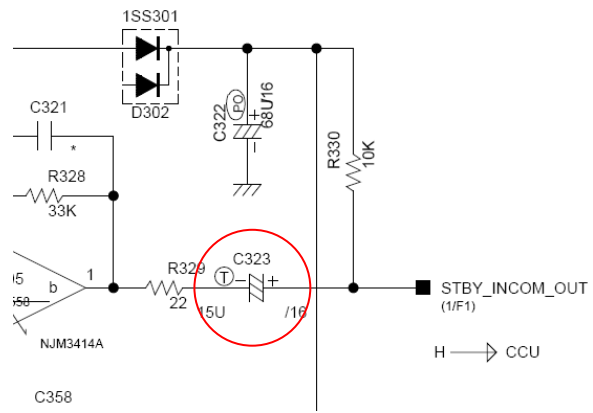


Fig. 5