

TECHNICAL BULLETIN

Ikegami

37 Brook Avenue, Maywood, New Jersey 07607 • (201) 368-9171

Date: October 6, 2006
Engineer: Larry Cuccio
Page: 1 of 3

To: Distribution

Product: HDK-79E

Symptom: Vertical lines in picture at high operating temperatures

If vertical lines start appearing in the picture after the camera is being used at high operating temperatures, there are two components on the CCD Pulse Module that need to be checked. If R86 measures 0 ohms (jumper), and C32 is not installed, then this problem can occur.

To check for these components, please do the following:

1. Remove the right side cover of the camera head and locate the CCD Pulse Module. Refer to Diagram 1.
2. Remove the CCD Pulse Module from the camera. Check resistor R86 and capacitor C32. Refer to Diagram 2.
3. Correct value for R86 is 220 ohms (221 indication on chip resistor) and correct value for C32 is 22pf (not easy to check on chip capacitor, just check if fitted or not).

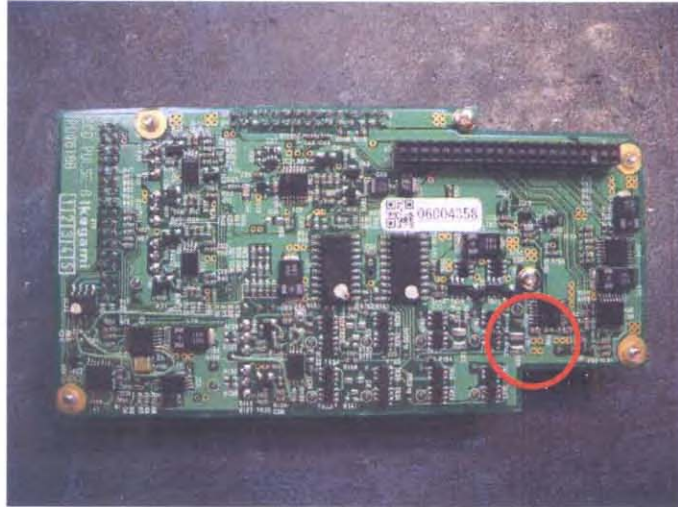
Please contact either Engineering, or Customer Service, if correct value components are not installed.

1,Remove CCD PULSE Module from Camera.

2,Please check Installed Resistor(R86) and Capacitor(C32) value.

R86:220 ohm (221)

C32:22p (Capacitor has no information value on it. Than Please check installed or not)



CCD PULSE Module SideB

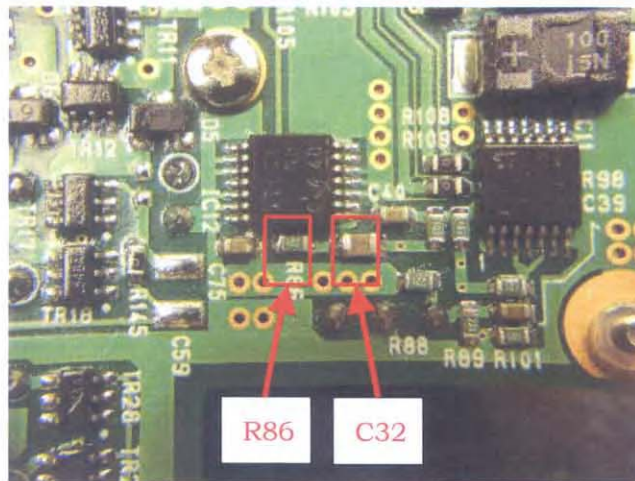


Diagram 2.

1.1 Module Layout

CAUTION

When removing the units or modules out of the camera head, turn "OFF" the CCU MAIN POWER switch on the CCU.

To remount the units or modules, follow the above-mentioned steps in reverse. Check to see that the units or modules are completely mounted before turning "ON" the CCU MAIN POWER switch on the CCU and the POWER switch on the right side of the camera head.

(1) Removing and Remounting of Modules inside Right Side Cover of Camera Head

PRE PROC module, POST PROC module, PULSE & MPU module and CAM POWER module are located inside the right side of the camera head

DIAGRAM 1

