

# TECHNICAL BULLETIN

Ikegami

37 Brook Avenue, Maywood, New Jersey 07607 • (201) 368-9171

**Date:** 2/15/13  
**Engineer:** Alan Keil  
**Page:** 1 of 3

**To:** Distribution

**Product:** HDK-55

**Symptom:** A capacitor on the D-Proc board is mounted incorrectly and will deteriorate over time.

**Purpose:** To improve black stability and ensure reliability of the D-Proc board, removal of the capacitor is highly recommended. Moreover, the capacitor is not needed due to sufficient filtering provided by other capacitors in the circuit.

**Instruction:** Remove the FA-55 from the camera for improved access to the flat cable connectors on the D-Proc board (refer to the Operation Manual for additional info on FA removal). Next remove the side cover to access the D-Proc (see photo #1).

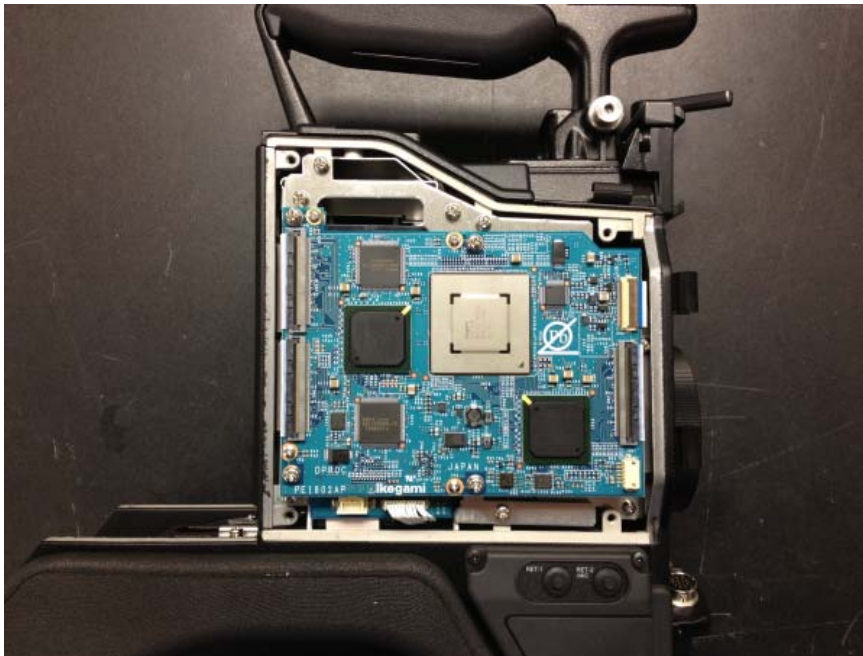


Photo #1

# TECHNICAL BULLETIN

Ikegami

37 Brook Avenue, Maywood, New Jersey 07607 • (201) 368-9171

Date: 2/15/13  
Engineer: Alan Keil  
Page: 2 of 3

Capacitor, C23, is on the B-side of the D-Proc, so the module must be removed to gain access. Release the 4 flat cable connectors (all connectors are hinge type), and remove 4 screws mounting the board. It may be easier to release and later reconnect the front flat cables with the board un-mounted and angled slightly. Please note the larger flat cables are notched so they can not be pulled straight out, you must first lift them up from the connector.

Photo #3 shows the flat cable connectors hinged open for cable release.

Photo #4 shows the notched flat cables, one front and two rear.



Photo #2

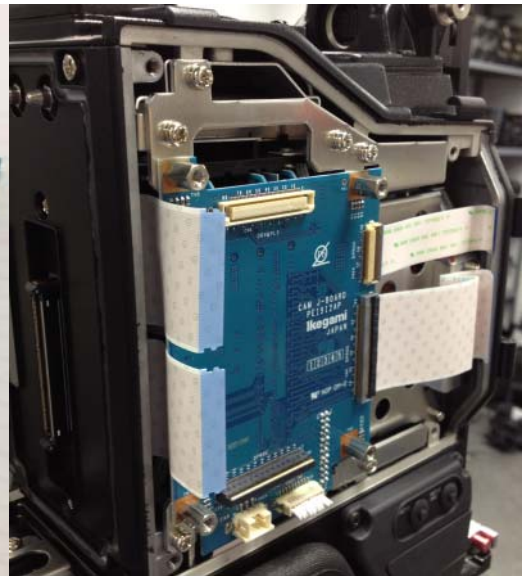


Photo #3

# TECHNICAL BULLETIN

Ikegami

37 Brook Avenue, Maywood, New Jersey 07607 • (201) 368-9171

Date: 2/15/13  
Engineer: Alan Keil  
Page: 3 of 3

Unsolder and remove C23 from the B-side of the D-Proc board (see photo #4). Re-mount and re-connect the D-Proc. Re-attach the FA-55 and the side cover.

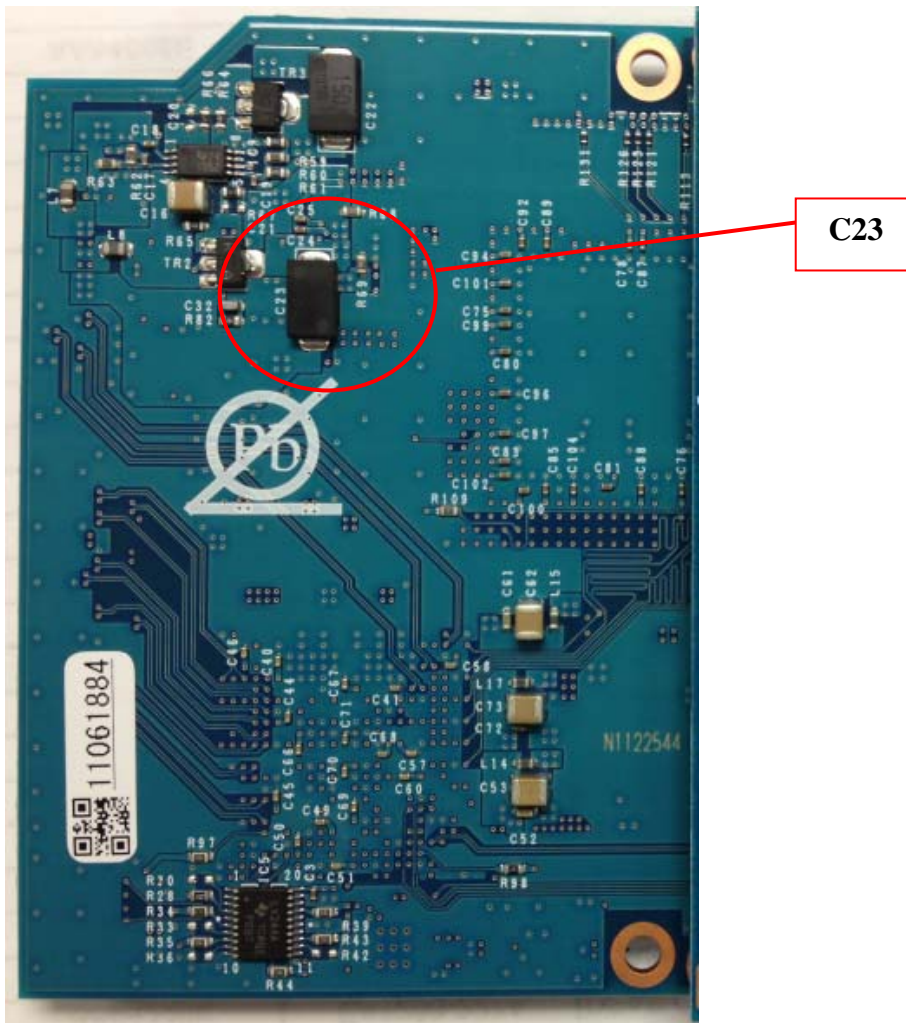


Photo #4