



# ECO SERIES

## EE-HDBIRMZ-B

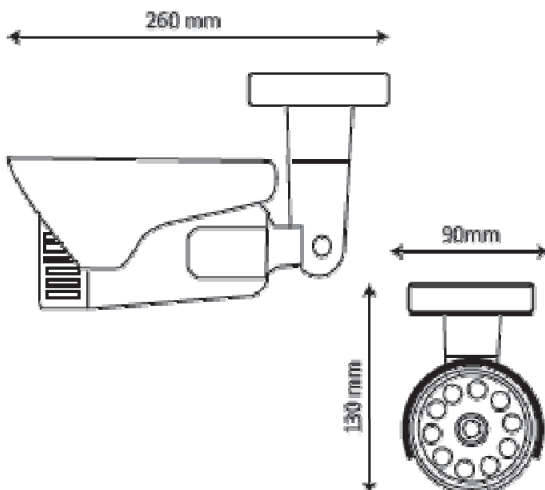
2MP 4-IN-1 (TVI/AHD/CVI/960H) WDR Motorized Lens Camera

### Features:

- 1/3" CMOS Sensor
- Low Illumination
- TVI/AHD/CVI/960H Compatibility
- WDR, 3D DNR
- 2.8~12mm Motorized Lens
- 12V DC
- IP66



### Dimensions:



### Specifications:

CAMERA	Image Sensor	1/3" CMOS Sensor
	Effective Pixels	1944(H) × 1092(V) Approx. 2.12M pixels
	Shutter Speed	Auto / Manual (1/60 ~ 1/30,000 sec)
	Min. Illumination	Color: 1.0 lux ,BW: 0.5 lux , Color:DSS:0.017 lux, BW DSS: 0.0008 lux
	Lens	2.8 - 12mm Motorized Lens
	View Angle	50° - 5.7°
	S/N Ratio	More than 50dB(AGC off)
	Video Output	Digital output: HD-TVI (1080P) Analog output: Composite Output 1Vp-p (75Ω /BNC)
	White Balance	Auto / Auto ext / Preset / Manual
	WDR	Yes. 120dB
AGC	0-20 steps	
BLC	Off / BLC	
DNR	Off / Low / Middle / High(3D)	
IMAGE	Compatibility	AHD / SDI / TVI / Analog(unsure)
	Encode Mode	CBR
	Image Quality	Not adjustable under CBR
	Resolution	1080P (1920×1080)
	Video Frame Rate	PAL:25fps@1080P / NTSC:30fps@1080P
Image Setting	Brightness, WDR, Sharpness, DNR, Exposure, Backlight, Gamma, Color gain, D-Zoom, white-balance, etc.	
FUNCTIONS	Remote monitoring	By monitoring the video recorder
	Day & Night	Auto / Color / BW / EXT
	IR Distance	70 - 100m
	IR LED count	∅ 16 x 10 IR
	OSD Menu	Yes
	Protection	IP66
OTHERS	Power Supply	DC12V±10%
	Power Consumption	800mA
	Operating Environment	-22°F ~ 140°F (- 30°C~+60°C)
	Weight	2.4LBS (1.08KG)
	Dimensions	9.8" (L) x 4.65"(W) x 6.1"(H) 250 x 118 x 155mm

Design subject to change without notice.