

Ikegami

ISD-A14S

Hyper Wide Light Dynamic
Mini Cube Color Camera

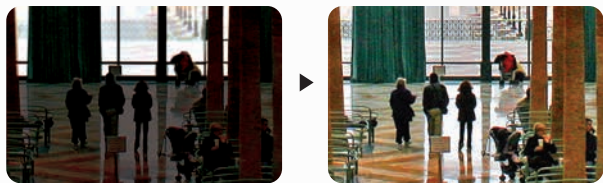


HYPER HD DYNAMIC

As the newest addition to the Ikegami Hyper Dynamic Camera Series, Model ISD-A14S features an extremely wide light dynamic range, high sensitivity and high resolution enabled by a 1/3.2-inch CMOS sensor and Ikegami's digital processing technology. It is a Hyper Wide Light Dynamic Range Mini Cube Camera that reproduces a clear and natural image even in locations where there is a significant difference in the intensity of illumination, such as window areas, or in lobby entrance of building. ISD-A14S comes with a compact cube body, giving it the flexibility for a broad array of locations and equipment, such as ATM machines and outdoor housings.

FEATURES

Hyper Wide Light Dynamic Range (Hyper WDR)



The Hyper WDR function provides for very effective compensation of high light and dark areas in screen. This situation may occur generally outside or viewing from indoor to outside scenes. Even in large light fluctuations, bright-and-dark objects can be captured and viewed clearly with a natural color.

Defog Function



Defog functions to capture clear images when the entire video looks foggy.

High-quality Picture and High Resolution



The camera is designed for smear-free imaging and low noise. The well-designed DSP, Digital Signal Processor, effectively enhances details, which achieves crisp and sharp images with a high signal-to-noise ratio. The high resolution of a horizontal resolution of 700 TVL is assured.

Compact Body of Super Cube

This camera comes with a compact cube body, that is suitable for the locations such as ATM machines.

Control Board for Local Setup (Option)

SUT-A14 Control Board for local setup is available as an option.



ISD-A14S Hyper Wide Light Dynamic Mini Cube Color Camera

Specifications

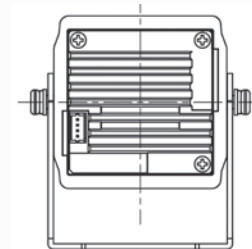
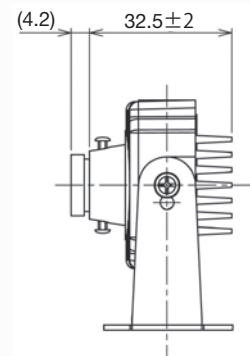
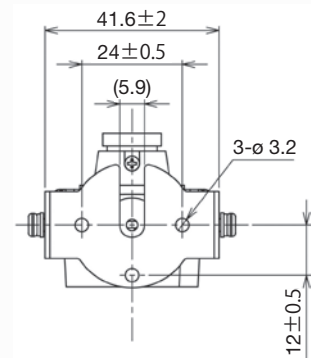
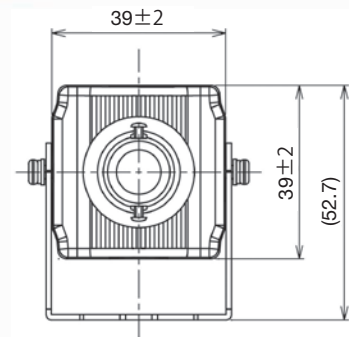
Image Sensor	1/3.2-inch CMOS sensor
Pixel Number	Approx. 1.23M pixels, 1,280 (H) x 960 (V)
Scanning System	NTSC: 525 TV lines/59.94 Hz, 2 : 1 interlaced PAL: 625 TV lines/50 Hz, 2 : 1 interlaced (Factory option)
Sync System	Internal Sync (Crystal Lock)
Video Output	VBS 1.0 Vp-p/75 ohms
Horizontal Resolution	700 TV lines
S/N Ratio	50 dB (p-p/rms) or better
Minimum Illumination	ISD-A14-25S: 0.23 lx/F2.1(AGC ON, 50IRE) ISD-A14-29S: 0.2 lx/F2.0(AGC ON, 50IRE) ISD-A14-36S: 0.2 lx/F2.0(AGC ON, 50IRE)
Wide Dynamic Range	Built-in, and Variable
AGC	ON / OFF
Defog function	Built-in
White Balance Control	ATW(Indoor/Outdoor/AUTO1/AUTO2)/PUSH/PUSHLOCK/MANUAL
Detail Correction	Built-in
Digital Noise Reduction	Built-in, ON / OFF selectable (DNR Function)
Color Rolling Reduction Function	Built-in, ON / OFF selectable (CRR Function)
Privacy Masking	Built-in (Maximum 8 zones)
Camera ID	Up to 24 characters (alphanumeric and symbols)
Lens Mount	M12 Mount

Lens M12 Fixed Focal Length Lens (f2.5mm/f2.9mm/f3.6mm)

Model	Mount	Focal Length (f)	Maximum Aperture Ratio (F)	Viewing Angle (H)	Viewing Angle (V)
ISD-A14S-25	M12	2.5mm	2.1	95.7°	70.1°
ISD-A14S-29	M12	2.9mm	2.0	84.9°	60.9°
ISD-A14S-36	M12	3.6mm	2.0	69.6°	50.4°

Power Requirement	DC12V ±10%
Power Consumption	2W or less
Operating Temperature and Relative Humidity	-10 to +50°C (13.5 to 122°F), RH 30 to 90% (No Condensation)
Dimension (W x H x D)	39 x 39 x 32.5mm (1.54 x 1.54 x 1.28 inches), excluding protrusions
Weight	80g (Approx. 0.18 lbs)
Input/Output Connectors	VIDEO OUT -- BNC DC12V -- DC jack (applicable plug ø5.5 x 2.1mm, Center plus)
Standard Accessories	Instruction Manual, Power and Video Combined Cable

* Specifications and design are subject to change for product improvements without notice.



Unit:mm

Design and specifications are subject to change without notice.



U391A1712-IB

Ikegami Tsushinki Co.,Ltd.

■ URL : www.ikegami.co.jp/en/

- **Head Office** : 5-6-16 Ikegami, Ohta-ku, Tokyo 146-8567, Japan TEL.+81-(0)3-5700-1111 / FAX.+81-(0)3-5700-1137
- **Overseas Sales Division** : 5-6-16 Ikegami, Ohta-ku, Tokyo 146-8567, Japan TEL.+81-(0)3-5700-4117 / FAX.+81-(0)3-5748-2200
- **Beijing Office** : Room No.307 Tower B, Jia Tai International Mansion No.41 East Fourth Ring Road, Chaoyang District, Beijing China... TEL.+86-(0)10-85710350 / FAX.+86-(0)10-85711804

Ikegami Electronics (U.S.A.), INC.

■ URL : www.ikegami.com

- **Headquarters** : 300 Route 17 South, Mahwah, NJ 07430, U.S.A. TEL.+1-201-368-9171 / FAX.+1-201-569-1626

Ikegami Electronics (Europe) GmbH

■ URL : www.ikegami.de

- **Headquarters** : Ikegami Strasse 1, D-41460 Neuss, Germany TEL.+49-(0)2131-1230 / FAX.+49-(0)2131-102820
- **U.K. Branch** : 1 Windmill Business Village, Brooklands Close, Sunbury on Thames, TW16 7DY, England TEL.+44-(0)1932-769700 / FAX.+44-(0)1932-769710

Ikegami Electronics Asia Pacific Pte.Ltd. ■ URL : sg.ikegami.co.jp

- **Headquarters** : 1 Tampines Central 5, #03-03 CPF Tampines Building, Singapore 529508 TEL.+65-6260-8820 / FAX.+65-6260-8896



Certified JQA-9755
Certified JQA-536888