

Ikegami

ISD-A15S

Hyper Wide Light Dynamic
Compact Cube Day/Night Camera



HYPER HD DYNAMIC

As the newest addition to the Ikegami Hyper Dynamic Camera Series, Model ISD-A15S features an extremely wide light dynamic range, high sensitivity and high resolution enabled by a 1/3.2-inch CMOS sensor and Ikegami's digital processing technology. It is a Hyper Wide Light Dynamic Range Box Camera that reproduces a clear and natural image even in locations where there is a significant difference in the intensity of illumination, such as window areas, or in lobby entrances of buildings. ISD-A15S comes with a compact cube body, giving it the flexibility for a broad array of locations and equipment, such as ATM machines and outdoor housings.

FEATURES

Hyper Wide Light Dynamic Range (Hyper WDR)



The Hyper WDR function provides for very effective compensation of high light and dark areas in screen. This situation may occur generally outside or viewing from indoor to outside scenes. Even in large light fluctuations, bright-and-dark objects can be captured and viewed clearly with a natural color.

Compact Body of Super Cube

This camera comes with a compact cube body, that is suitable for the locations such as ATM machines.

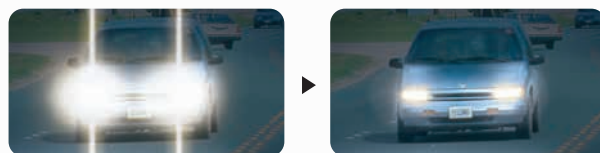


Defog Function



Defog functions to capture clear images when the entire video looks foggy.

High-quality Picture and High Resolution

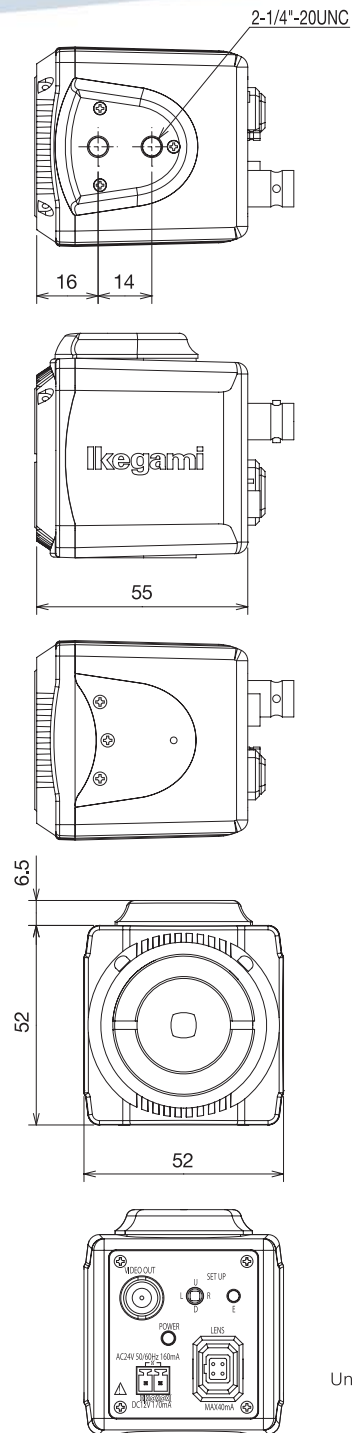


The camera is designed for smear-free imaging and low noise. The Digital Signal Processor, effectively enhances details, which achieves crisp and sharp images with a high signal-to-noise ratio. The high resolution of a horizontal resolution of 700TVL is assured.

ISD-A15S Hyper Wide Light Dynamic Compact Cube Day/Night Camera

Specifications

Image Sensor	1/3.2-inch CMOS sensor
Pixel Number	Approx. 1.23M pixels, 1,280 (H) x 960 (V)
Scanning System	NTSC: 525 TV lines/59.94 Hz, 2 : 1 interlaced PAL: 625 TV lines/50 Hz, 2 : 1 interlaced (Factory option)
Sync System	Internal Sync (Crystal Lock)
Video Output	VBS 1.0 Vp-p/75 ohms
Horizontal Resolution	700 TV lines
S/N Ratio	50 dB (p-p/rms) or better
Minimum Illumination	0.1 lx/F1.4 (Color, VBS output 50%) 0.02 lx/F1.4 *ISD-A15S-TDN (B/W, VBS output 50%)
Day & Night Function	Built-in, AUTO/MANUAL selectable True Day/Night (ISD-A15S-TDN), Digital Day/Night (ISD-A15S)
Wide Dynamic Range	Built-in, and Variable
AGC	ON (AGC, HYPER-AGC) / OFF (LOW, MID, HIGH), selectable
Defog function	Built-in
White Balance Control	ATW(Indoor/Outdoor/AUTO1/AUTO2)/PUSH/PUSHLOCK/MANUAL
Detail Correction	Built-in
Digital Noise Reduction	Built-in, ON / OFF selectable (DNR Function)
Color Rolling Reduction Function	Built-in, ON / OFF selectable (CRR Function)
Privacy Masking	Built-in (Maximum 16 zones)
Camera ID	Up to 24 characters (alphanumeric and symbols)
Lens Mount	CS Mount (C Mount adaptor is available as an option.)
Auto Iris Function	DC Iris (DC Iris level adjustable)
Lens Flange Focus	Built-in and adjustable
Power Requirement	AC24V ±10%, 50/60Hz DC12V (10.5 to 15V)
Power Consumption	2.0W
Operating Temperature and Relative Humidity	-10 to +50°C (13.5 to 122°F), RH 30 to 90% (No Condensation)
Dimension (W x H x D)	52 x 52 x 55 mm (2.05 x 2.05 x 2.16 inches), excluding protrusions
Weight	200g (Approx. 0.44 lbs)
Input/Output Connectors	VIDEO OUT -- BNC LENS -- 4P (applicable plug E4-191J-150 or equivalent) DC12V/AC24V input -- 2P
Standard Accessories	Instruction Manual, Hexagonal Wrench for flange focus adjustment



Unit:mm

* Specifications and design are subject to change for product improvements without notice.

Design and specifications are subject to change without notice.

Ikegami Tsushinki Co.,Ltd.

■ URL : www.ikegami.co.jp/en/

- Head Office : 5-6-16 Ikegami, Ohta-ku, Tokyo 146-8567, JapanTEL.+81-(0)3-5700-1111 / FAX.+81-(0)3-5700-1137
- Overseas Sales Division : 5-6-16 Ikegami, Ohta-ku, Tokyo 146-8567, JapanTEL.+81-(0)3-5700-4117 / FAX.+81-(0)3-5748-2200
- Beijing Office : Room No.307 Tower B, Jia Tai International Mansion No.41East Fourth Ring Road, Chaoyang District, Beijing China ..TEL.+86-(0)10-85710350 / FAX.+86-(0)10-85711804

Ikegami Electronics (U.S.A.), INC.

■ URL : www.ikegami.com

- Headquarters : 300 Route 17 South, Mahwah, NJ 07430, U.S.A.TEL.+1-201-368-9171 / FAX.+1-201-569-1626

Ikegami Electronics (Europe) GmbH

■ URL : www.ikegami.de

- Headquarters : Ikegami Strasse 1, D-41460 Neuss, Germany TEL.+49-(0)2131-1230 / FAX.+49-(0)2131-102820
- U.K. Branch : 1 Windmill Business Village, Brooklands Close, Sunbury on Thames, TW16 7DY, England TEL.+44-(0)1932-769700 / FAX.+44-(0)1932-769710

Ikegami Electronics Asia Pacific Pte.Ltd. ■ URL : sg.ikegami.co.jp

- Headquarters : 1 Tampines Central 5, #03-03 CPF Tampines Building, Singapore 529508TEL.+65-6260-8820 / FAX.+65-6260-8896



U392A1712-IB



Certified JQA-0735



Certified JQA-EM3888