

Ikegami

ISD-A35S

Hyper Wide Light Dynamic
Vandal Resistant Day/Night Dome Camera



HYPER HDYNAMIC

As the newest addition to the Ikegami Hyper Dynamic Camera Series, Model ISD-A35S features an extremely wide light dynamic range, high sensitivity and high resolution enabled by a 1/3.2 - inch CMOS sensor and Ikegami's digital processing technology. This camera is equipped with an auto iris vari-focal lens, back-light compensation, automatic iris control and phase adjustable AC line lock or crystal controlled internal sync lock system.

It is a Hyper Wide Light Dynamic Range Dome Camera that reproduces a clear and natural image even in locations where there is a significant difference in the intensity of illumination, such as window areas, or in lobby entrance of building.

FEATURES

■ All-in-One Ergonomic Vandal Resistant Dome Housing

This dome camera comes with an IP66 class vandal resistant compact dome housing.

■ Hyper Wide Light Dynamic Range (Hyper WDR)



The Hyper WDR function provides for very effective compensation of high light and dark areas in screen. This situation may occur generally outside or viewing from indoor to outside scenes. Even in large light fluctuations, bright-and-dark objects can be captured and viewed clearly with a natural color.

■ Focus EZ Function

Thanks to the Level Indicator, a focusing point is visibly recognized. The auto iris lens aperture will be kept open, even in broad daylight. This ensures that an accurate focus can be set readily with the best depth of field.

■ High-quality Picture and High Resolution



The camera is designed for smear-free imaging and low noise. The well-designed DSP, Digital Signal Processor, effectively enhances details, which achieves crisp and sharp images with a high signal-to-noise ratio. The high resolution of 700TVL is assured.

■ High Sensitivity

Various modes of Automatic Gain control (AGC) are available to finely adjust the camera settings depending on the subject's illumination conditions. With the AGC and a slow shutter in combination, high sensitivity of up to 0.011 lx/F1.5 is achieved.

■ Defog Function



Defog functions to capture clear images when the entire video looks foggy.

ISD-A35S

Hyper Wide Light Dynamic
Vandal Resistant Day/Night Dome Camera

Specifications

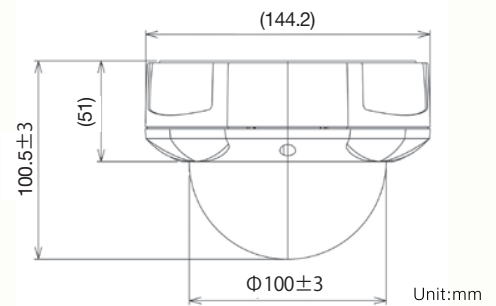
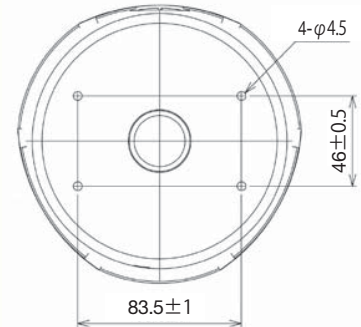
Image Sensor	1/3.2-inch CMOS sensor
Pixel Number	Approx. 1.23M pixels, 1,280 (H) x 960 (V)
Scanning System	NTSC: 525 TV lines/59.94 Hz, 2 : 1 interlaced PAL: 625 TV lines/50 Hz, 2 : 1 interlaced (Factory option)
Sync System	Internal Sync (Crystal Lock)
Video Output	VBS 1.0 Vp-p/75 ohms
Horizontal Resolution	700 TVL
S/N Ratio	50 dB (p-p/rms) or better
Minimum Illumination	0.1 lx /F1.4 (Color, VBS output 50%) 0.02 lx /F1.4 (B/W, VBS output 50%)
Day&Night Function	Built-in(True Day/Night), AUTO / MANUAL, selectable
Wide Dynamic Range	Built-in, and Variable
AGC	ON / OFF, selectable
Defog function	Built-in
White Balance Control	ATW(Indoor/Outdoor/AUTO1/AUTO2)/PUSH/PUSHLOCK/MANUAL
Detail Correction	Built-in
Digital Noise Reduction	Built-in, ON / OFF selectable (DNR Function)
Color Rolling Reduction Function	Built-in, ON / OFF selectable (CRR Function)
Privacy Masking	Built-in (Maximum 16 zones)
Monitor Output Selection	Built-in, CRT / LCD Selectable
Camera ID	Up to 26 characters (alphanumeric and symbols)

Vari-focal Lens

Built-in

Model	Mount	Focal Length (f)	Maximum Aperture Ratio (F)	Viewing Angle (H)	Viewing Angle (V)
ISD-A35S TYPE31	Φ14 straight	2.8 - 11mm	1.4	88.2° - 28.7°	68.8° - 23.0°
ISD-A35S TYPE92	Φ14 straight	9.1 - 21.5 mm	1.6	29.1° - 11.9°	21.5° - 9.0°

Power Requirement	AC24V ±10%, 50/60Hz DC12V (10.5 to 15V)
Power Consumption	Approx. 2.0W
Operating Temperature and Relative Humidity	-10 to +50°C (13.5 to 122°F), RH 30 to 90% (No Condensation)
Protection Standard	IP66 compliant
Dome Cover	Vandal Resistance type
Size (Diameter & Height)	ø142.8mm x 103.5mm (ø 5.6 x 4inch), excluding protrusions
Weight	990 g (Approx. 2.18 lbs)
Input/Output Connectors	Pig-tail Type VIDEO OUT -- BNC, DC12V / AC24V Input -- Open-end wire Dome Inside MON. OUT – Special connector output (Connector harness with BNC Output is available.)
Standard Accessories	Instruction Manual, MON.OUT Output Harness, Special wrench, Silicone rubber bushing for water-resistant treatment



Unit:mm

Ceiling Mount for ISD-A35S(Optional) XHG-6229N2



Wall Mount for ISD-A35S(Optional)

IK-DSB-PWMVCN-CG-W(White)
IK-DSB-PWMVCN-CG-B(Black)



* Specifications and design are subject to change for product improvements without notice.

Design and specifications are subject to change without notice.

Ikegami Tsushinki Co.,Ltd.

■ URL : www.ikegami.co.jp/en/

■ **Head Office** : 5-6-16 Ikegami, Ohta-ku, Tokyo 146-8567, JapanTEL.+81-(0)3-5700-1111 / FAX.+81-(0)3-5700-1137
 ■ **Overseas Sales Division** : 5-6-16 Ikegami, Ohta-ku, Tokyo 146-8567, JapanTEL.+81-(0)3-5700-4117 / FAX.+81-(0)3-5748-2200
 ■ **Beijing Office** : Room No.307 Tower B, Jia Tai International Mansion No.41East Fourth Ring Road, Chaoyang District, Beijing China ...TEL.+86-(0)10-85710350 / FAX.+86-(0)10-85711804

Ikegami Electronics (U.S.A.), INC.

■ URL : www.ikegami.com

■ **Headquarters** : 300 Route 17 South, Mahwah, NJ 07430, U.S.A.TEL.+1-201-368-9171 / FAX.+1-201-569-1626

Ikegami Electronics (Europe) GmbH

■ URL : www.ikegami.de

■ **Headquarters** : Ikegami Strasse 1, D-41460 Neuss, Germany TEL.+49-(0)2131-1230 / FAX.+49-(0)2131-102820
 ■ **U.K. Branch** : 1 Windmill Business Village, Brooklands Close, Sunbury on Thames, TW16 7DY, England TEL.+44-(0)1932-769700 / FAX.+44-(0)1932-769710

Ikegami Electronics Asia Pacific Pte.Ltd. ■ URL : sg.ikegami.co.jp

■ **Headquarters** : 1 Tampines Central 5, #03-03 CPF Tampines Building, Singapore 529508TEL.+65-6260-8820 / FAX.+65-6260-8896



A000A000-AA

