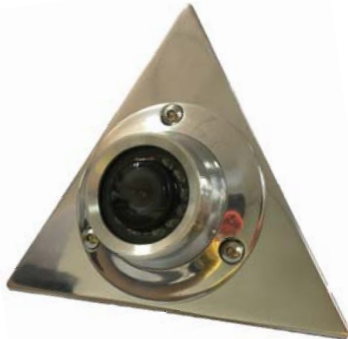


# IR Day/Night Megapixel 4 in 1 HD Camera

Model: **ICD-E11-EF**

High resolution, 2.0 Megapixel. 1080P,  
12VDC 12LEDs, NTSC



## Description:

This is a high quality 4 in 1 HD (HDTV, HDCVI, AHD, CVBS) Color camera, using the latest CMOS technology, the camera can produce high definition image with little distortion.

Analog High Definition is a high video definition standard, through the coaxial cable, using the analog modulation technology to transfer progressive-scan HD Video signal. 4 in 1 HD (HDTV, HDCVI, AHD, CVBS) system is same as traditional analog system, using common 75-3 coaxial cable to carry out as far as 500 meters HD video without any video signal loss.

## Cautions:

1. In order to protect the camera, please avoid placing or using the camera under direct sunlight.
2. Please ensure that the input voltage range is within the specifications.
3. Please do not place the camera in a location with a temperature exceeding 50°C.
4. Do not attempt to service the camera by yourself. Please refer all services to qualified Dealers.

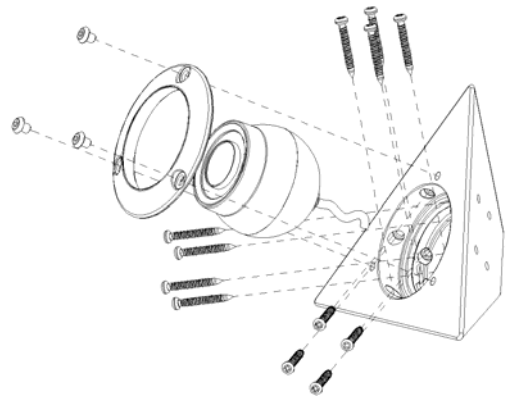
## Installation procedures:

1. Loosen the lock screws on the bezel, remove the camera block to the suitable position.
2. Attach the mounting bracket to the wall or ceiling, wherever you want to install the camera. Locate a wall stud or ceiling joint and secure the base by the supplied mounting screws.
3. Connect the BNC+DC Jack to the monitor or DVR.
4. Fix the lock screw.

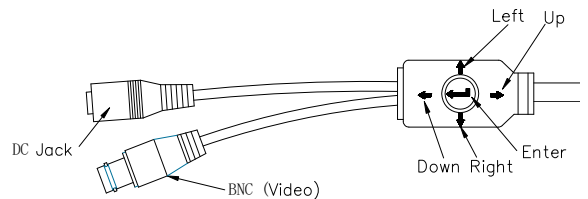
## Packing list:

Camera	1
Instruction Manual	1
Mounting Screw	12
Hex-Key	1

## Operation procedures:



## Connection:



- Up and hold 5 seconds: Switch to CVI
- Down and hold 5 seconds: Switch to TVI
- Left and hold 5 seconds: Switch to CVBS (Default)
- Right and hold 5 seconds: Switch to AHD

## Specifications:

Model	ICD-E11-EF
Pick up Device	1/2.7" CMOS Sensor AR0237
TV System	NTSC/PAL
Picture Elements	1920(H)*1080(V)
Effective pixels	2.0M pixels
Day-night mode	External control (default) / Auto / color / black and white
Infrared Spectrum	N/A
S/N Ratio	More than 50 dB, (AGC Off)
Auto Gain Control	Auto
White Balance	Auto
Electronic Shutter	AUTO/ 1/50 ( 1/60 ) -1/100,000sec
Back Light Compensation	Auto
Infrared LED	12 LEDs
Infrared LED Range	10 m
Video output	1 Vp-p, 75Ω composite , BNC Jack x1
Audio Output	N/A
Mirror	Available
Lens	f2.1mm
Lens Mount	M12XP0.5mm Thread
Pan Adjusting	+/-180 Degree
Tilt Adjusting	0-60 Degree
Power Supply	12V DC ±10%
Power Consumption	130mA(led on)/65mA(led off)
Dimensions(L x W x H)	124.72 x108.58x62.55mm
Net Weight	350g
Weatherproof	IP67
Operating Temperature	-10°C to +50°C

\*Specifications are subject to change without prior notice.