

INSTRUCTION MANUAL

Color Camera

MODEL

ISD-A33



OUTDOOR USE WARNING

WARNING – TO PREVENT FIRE OR ELECTRIC SHOCK, DO NOT EXPOSE THIS APPLIANCE TO RAIN OR MOISTURE.

The apparatus shall not be exposed to dripping or splashing and that no objects filled with liquids, such as vases, shall be placed on the apparatus.

Ikegami

Ikegami Tsushinki Co., Ltd.

Thank you for choosing this Ikegami Hyper Wide Dynamic DPS Dome Camera. Please read this Instruction Manual carefully to keep your Ikegami camera at peak performance for longer service period.

This unit is a dome-type 1 CMOS color camera incorporating a special auto-iris varifocal lens and making use of a 1/3" type digital pixel sensor system (DPS).

This Ikegami product is made of ECO friendly components based upon the Company policy and corporate social responsibility to contribute towards the Global Environmental Solution for energy conservation and environmental sustainability, all the components used in this product are Non-hazardous, Toxic Free, Non-Lead and conform with Japan's Green Product regulation, EU's RoHS directive and other Environmental and hazardous chemical substances related regulations and laws.

Contents

	Page
1. Handling precautions	E-1
2. General	E-1
3. Features	E-2
4. Camera Installation	E-4
4-1. Pre-work before installation	E-4
4-2. Mounting the camera (Ceiling)	E-4
4-3. Mounting the camera (Wall)	E-4
5. Name of each section and function.....	E-5
6. Connections	E-7
6-1. Power cable	E-7
6-2. Video Output Cable (BNC)	E-7
6-3. Test Monitoring Output (MONI.OUT)	E-7
7. Angle and Lens adjustment.....	E-8
7-1. Angle adjustment	E-8
7-2. Vari-focal lens adjustment.....	E-8
8. Operating Procedure.....	E-9
8-1. User Setup.....	E-9
8-2. Names and functions of the setup buttons	E-9
8-3. Setup mode Procedures	E-9
9. FOCUS EZ function	E-20
10.Warranty and After-sale service.....	E-21
11.Specifications	E-22
12.External Appearance	
13.Setup Flow Chart	



The exclamation point within an equilateral triangle is intended to alert the user to the presence of important operating and maintenance (servicing) instructions in the literature accompanying the appliance.

NOTE:

This equipment has been tested and found to comply with the limits for a Class A digital device, pursuant to part 15 of the FCC Rules. These limits are designed to provide reasonable protection against harmful interference when the equipment is operated in a commercial environment. This equipment generates, uses, and can radiate radio frequency energy and, if not installed and used in accordance with the instruction manual, may cause harmful interference to radio communications. Operation of this equipment in a residential area is likely to cause harmful interference in which case the user will be required to correct the interference at his own expense.

CAUTION;

ANY CHANGES OR MODIFICATIONS NOT EXPRESSLY APPROVED BY THE PART RESPONSIBLE FOR COMPLIANCE COULD VOID THE USERS AUTHORITY TO OPERATE THE EQUIPMENT.

Instructions for Disposal of Electrical and Electronic Equipment in Private Households



Disposal of used Electric and Electronic Equipment

(Applicable in the European Union and other European countries with separated waste disposal and collection methods)

This symbol on the product, or in the related documents in the package, indicates that this product shall not be treated as normal household waste. Instead, it should be taken to a proper applicable collection point or depot for the recycling of electric and electronic equipment.

By ensuring this product is disposed of correctly, you will help prevent possible negative consequences for the environment and human health, which could otherwise be caused by inappropriate waste handling of this product. The recycling of materials will help to conserve natural resources.

For more detailed information about recycling of this product, please contact your local city authority, your household waste disposal service or the place where you purchased the product.

IMPORTANT SAFETY INSTRUCTIONS

- 1) Read these instructions.
- 2) Keep these instructions.
- 3) Heed all warnings.
- 4) Follow all instructions.
- 5) Do not use this apparatus near water.
- 6) Clean only with a dry cloth.
- 7) Do not block any of the ventilation openings. Install in accordance with the manufacturer's instructions.
- 8) Do not install near any heat sources such as radiators, heat registers, stoves, or other apparatus (including amplifiers) that produce heat.
- 9) Do not defeat the safety purpose of the polarized or grounding type plug. A polarized plug has two blades with one wider than the other. A grounding type plug has two blades and a third grounding prong. The wide blade or the third prong is provided for your safety. When the provided plug does not fit into your outlet, consult an electrician for replacement of the obsolete outlet.
- 10) Protect the power cord from being walked on or pinched particularly at plugs, convenience receptacles, and the point where they exit from the apparatus.
- 11) Only use the attachments/accessories specified by the manufacturer.
- 12) Use only with a cart, stand, tripod, bracket, or table specified by the manufacturer, or sold with the apparatus. When a cart is used, use caution when moving the cart/apparatus combination to avoid injury from tip-over.



- 13) Unplug this apparatus during lightning storms or when unused for long periods of time.

- 14) Refer all servicing to qualified service personnel. Servicing is required when the apparatus has been damaged in any way, such as power supply cord or plug is damaged, liquid has been spilled or objects have fallen into the apparatus, the apparatus has been exposed to rain or moisture, does not operate normally, or has been dropped.
- 15) CAUTION - These servicing instructions are for use by qualified service personnel only. To reduce the risk of electric shock, do not perform any servicing other than that contained in the operating instructions unless you are qualified to do so.

1. Handling Precautions

- Do not expose the internal mechanism of the camera in a water-splashed or highly humid environment.
- Do not use the camera where the ambient temperature drops below -10°C or rises above +50°C. The images and component parts may be adversely affected or the camera may not function correctly.
- Do not open the case of the camera, unless it is absolutely necessary for setup or installation because there are precision electrical and electronic components inside and accident may result.
- Be sure to turn off the power before installing or making connections.
- Be careful not to drop or give a strong shock to the camera while transporting it.
- Do not touch the image sensor
- Do not orientate the camera directly towards the sun.
- Because of the digital image device characteristics, images may look unnatural at high temperatures, this does not mean the camera is faulty.

2. General

This unit is a dome-type 1 CMOS color camera incorporating a special auto-iris varifocal lens and making use of a 1/3" type digital pixel sensor system (DPS). It features WDR (wide dynamic range), high sensitivity and high resolution while offering functions such as reverse light correction and auto-iris line lock, etc. making it a CCTV camera suited to general surveillance.

The exterior makes use of a dome configuration, making it ideal as an indoor surveillance camera with emphasis on interiors.

3. Features

(1) Compact Dome Configuration

The camera lens is housed in a compact dome configuration to enable surveillance with images without having to be aware that a camera is installed.

(2) Integrated unit with triaxial adjustment varifocal lens in a single unit

This is an integrated type design featuring a varifocal lens. Because it can operate with triaxial adjustment, even when attached to a wall, it can be adjusted to an arbitrary imaging range.

(3) Hyper Wide Light Dynamic Range (Hyper WDR)

The Wide dynamic function provides for very effective compensation of high light and dark areas in screen. This situation may occur generally outside or viewing from indoor to outside scenes. Even in large light fluctuations, bright-and-dark objects can be captured and viewed clearly with a natural color.

(4) Automatic White Balance

Thanks to the automatic tracking white balance control (ATW), the white balance control adjusts itself no matter how great the subject's color temperature fluctuates. Also extended coverage function as ATW ex is provided for specific lighting conditions.

(5) High-quality picture and high resolution

The camera is designed for smear-free imaging and low noise. The well-designed DSP, Digital Signal Processor, effectively enhances details, which achieves crisp and sharp images with a high signal-to-noise ratio. The high resolution of a horizontal resolution of 520 TV lines (690HTVL-Effective) is assured.

(6) High sensitivity

Various modes of Automatic Gain control (AGC) are available to finely adjust the camera settings depending on the subject's illumination conditions.

(7) Optimum Monitor Output Select function

The optimum picture quality can be obtained with this function for CRT or LCD monitors. Sometimes, LCD type digital process monitors show different reproduction characteristics and you may choose this output selection to provide the best pictures on the monitor screen.

(8) Scene File

In addition to normal setting (NORMAL), there are four patterns for scene files (setting files) that are preset beforehand to a particular scene. By selecting those patterns, it is easy to carry out image setting suited to the scene without having to carry out specialized image adjustment.

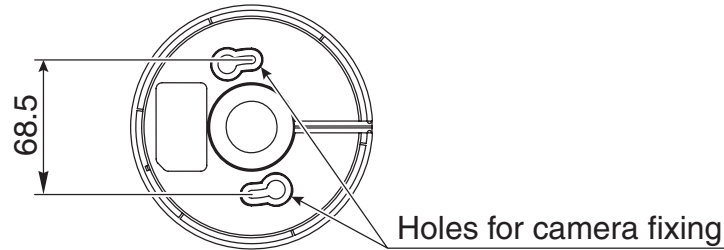
(9) FOCUS EZ function

The level indicator is displayed to allow immediate judgment of focal point. In addition, the focus of the auto-iris lens is released to allow easy focusing without worrying about the depth of field even in a bright environment during the daytime.

4. Camera Installation

4-1. Pre-work before installation

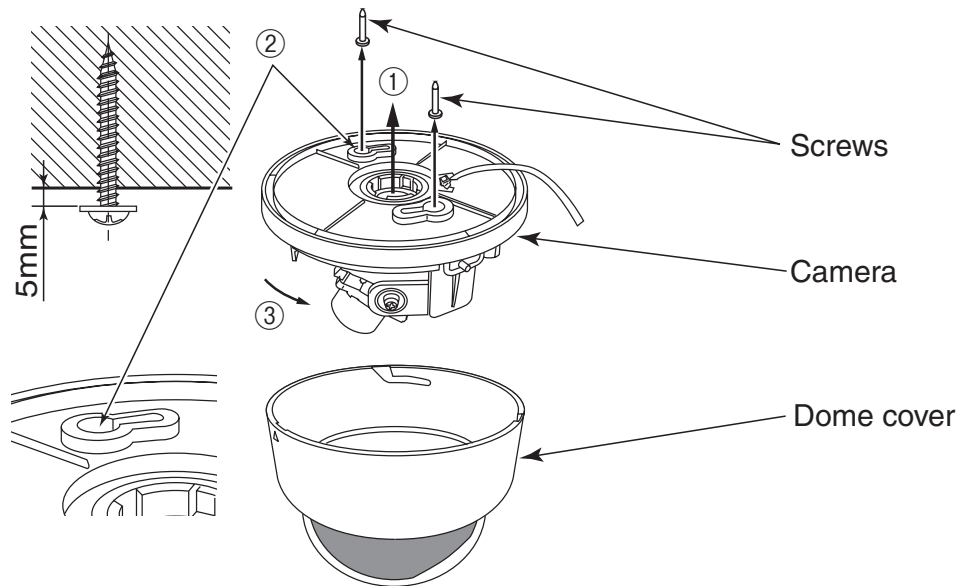
For camera fixing, two holes are needed.



4-2. Mounting the camera (Ceiling)

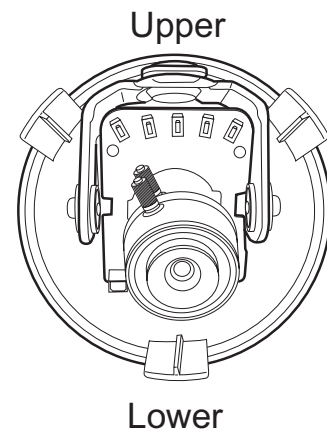
Put two fixing screws leaving about 5mm clearance. Those two screws will be tightened later to secure the dome camera. Put the cable wiring through the center hole of the camera base ①, and align two key hole slot to the screws.

And turn the unit clockwise until it stops and tighten two fixing screws. Put back the dome cover.

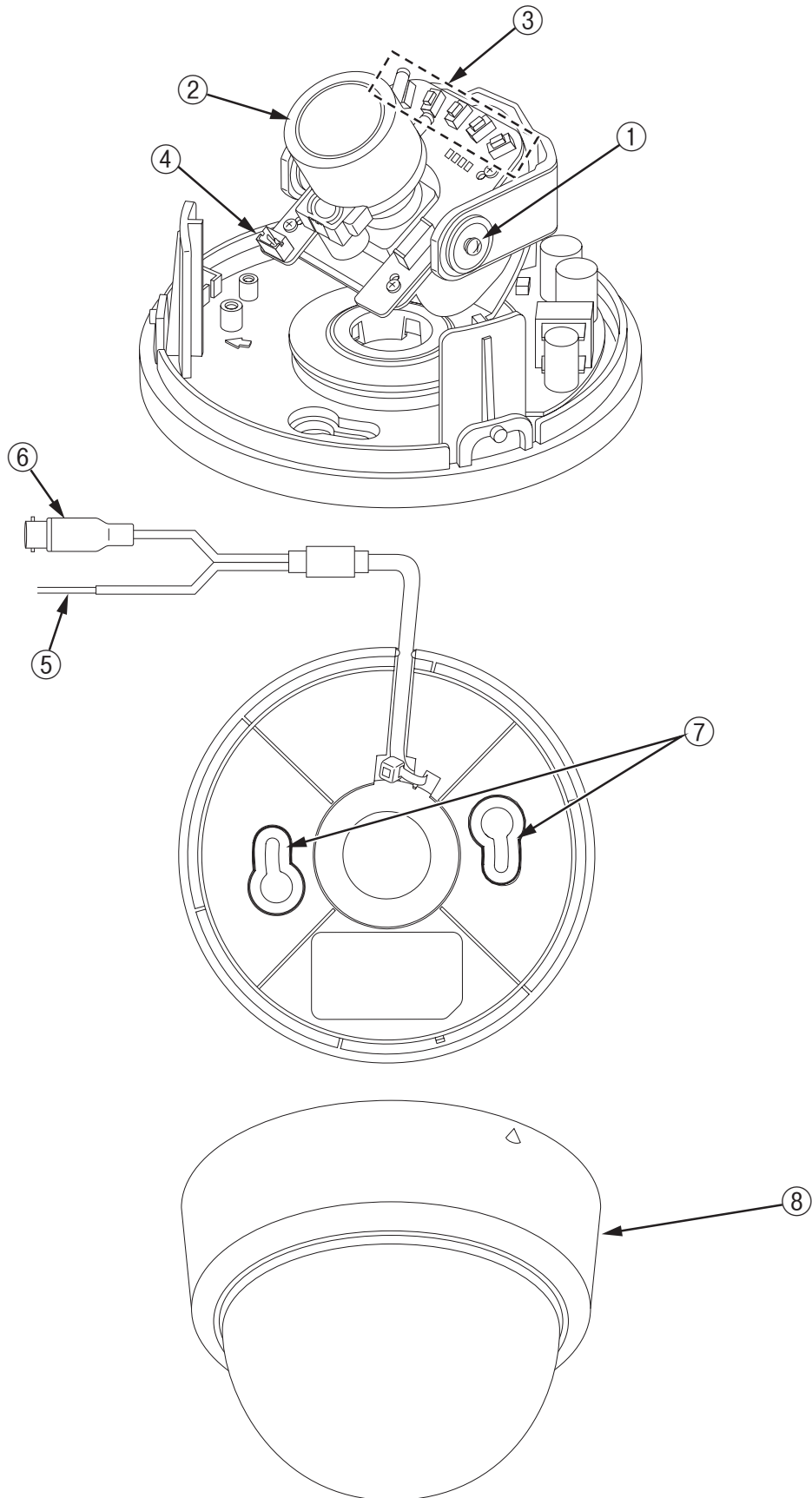


4-3. Mounting the camera (Wall)

The way of installation is the almost same as to a ceiling. Install the main unit so that the switch becomes upper side as shown in the illustration right and set the "VIDEO FLIP" in the setup menu to "VERT".



5. Name of each section and its function



- ① Lens fixing screws (elevation)
These are screws to fix the camera in the desired elevation position.
Fix these screws after setting the viewing position.
- ② Vari-focal lens
Can be used with flexible angle of view using varifocal lens.
- ③ Switches for camera setup
Refer to Section 8 (Operating Procedure)
- ④ Test monitor output
Connect accessory MONI.OUT output harness.
- ⑤ Power cable
This is a power cable. Non-polarity AC24V (AC 21.6V ~ 26.4V) or DC12V has to be connected. Check the power voltage from the external power supply before applying power to the camera.
* This installation should be made by a qualified service person and should conform to all local codes.
- ⑥ Video Output cable (BNC)
This is the output of video signal. Connect this to a monitor or switcher.
- ⑦ Fixing holes (two key hole slots)
- ⑧ Dome Cover

6. Connections

Be sure not to apply power before making connections.

6-1. Power cable

Use DC12V (10.5V to 15V), or AC24V ($\pm 10\%$) in both 60Hz and 50Hz.

* This installation should be made by a qualified service person and should conform to all local codes.

6-2. Video output cable (BNC)

This is a video output terminal. To be use an ordinary video output, for monitors, or switcher.

6-3. Test monitor output (MONI.OUT)

- Image output terminal used when installing the camera.
- By using the accessory cable to connect to the VIDEO IN of the monitor or the image input terminal, it is easier to carry out positioning and focusing.

7. Angle and Lens adjustment

7-1. Angle adjustment

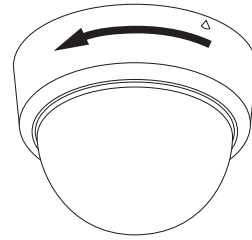
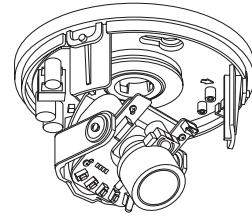
Before doing this, the clear dome cover has to be removed.

- Remove the dome cover

Turn the black section of the dome cover in a counterclockwise direction to remove.

Pay attention not to drop a dome cover while doing this.

Note: When imaging in a horizontal direction, the black section of the dome cover may be imaged so that part of the image is missing. Adjust the angle of vision in a horizontal direction so that the dome cover is not imaged.



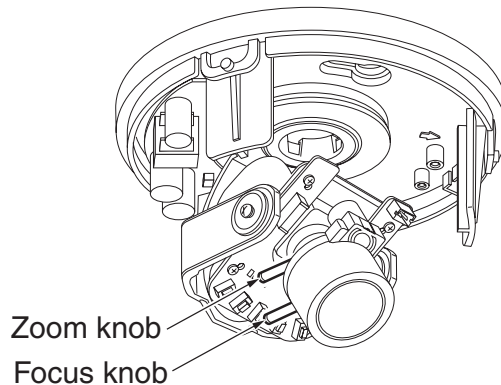
7-2. Vari-focal lens adjustment

To re-direct lens, loosen the lens fixing screws for elevation.

Adjust the zoom knob for framing and angle, and a focus knob for focusing.

Using those two knobs, adjust the lens to have desired framing, angle and focal point. Repeat this procedure a couple of times, so that you may achieve the best result.

Once the desired settings have been achieved, tighten the screws to fix the position.

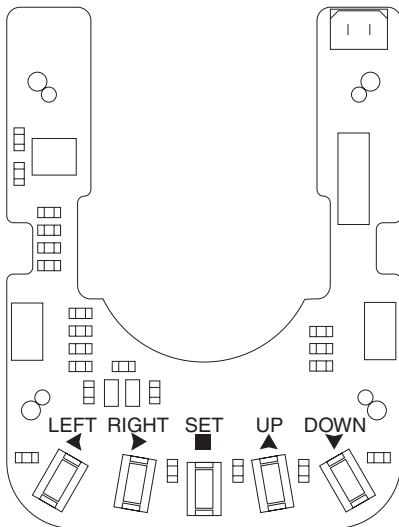


8. Operating Procedure

8-1. User Setup

This dome camera is provided with user setup function for picture quality, and camera ID. The setup menu is a tree type on-screen-display. When installing the camera it is possible to set up the various functions.

8-2. Names and functions of the setup buttons



- UP** _____ To select setup parameters
- DOWN** _____ (up and down)
- RIGHT** _____ To change setup parameters
- LEFT** _____
- SET** _____ To get in or get out to setup mode, and to enter and execute procedures.

* **To get into Setup mode, hold SET button more than 2 seconds.**

8-3. Setup mode Procedures

Hold down the SET button longer than 2 seconds, and the setup menu screen at left appears on screen. A highlighted item is now selected. Use the LEFT/RIGHT buttons to change the selection items.

8-3-1. SETUP MENU 1/4

* New settings can be saved, if EXIT is selected to quit the menu.

SETUP MENU		
→PAGE		1/4
SCENE		NORMAL
DAY/NIGHT		AUTO ↓
SENS UP		ON
LIGHT CONTROL ↓		
GAIN		AGC ↓
WHITE BALANCE		ATW
EXIT	CANCEL	RESET

(1) PAGE

Possible to change pages.

(2) SCENE

Possible to easily set the image quality to fit the photography environment without making fine settings of the picture quality.

- ① NORMAL: This is a standard image quality setting that can be used for almost all photographic subjects.
- ② INDOOR1: Suited to indoor photography.
- ③ INDOOR2: Suited to reverse light indoors.
- ④ OUTDOOR1: Suited to outdoor photography.
- ⑤ OUTDOOR2: Suited to reverse light outdoors.

* Is not always suited to all photography environments. Depending on the photography environment, carry out adjustment of the picture quality without selecting SCENE. When the Menu concerned with picture quality changes from the initial setting value, unit goes to CUSTOM.

(3) DAY/NIGHT

Possible to switch between day and night.

- ① AUTO: Automatic switching is made: high-quality color images during the day, and high-sensitivity monochrome pictures at night. Press the SET button, and the screen at right shows up.

- SWITCHED LEVEL:

The brightness level for switching to the day or night mode can be preset. The levels can be selected in the order of BRIGHT, MID and DARK.

DAY/NIGHT	
→SWITCHED LEVEL	MID
RET	

- ② COLOR: The color mode can be selected.
- ③ B/W: The Monochrome (B/W) mode can be selected.

(4) SENS UP

Selection of electronic sensitivity increase mode. Possible to choose electronic sensitivity increase rate.

- ① OFF: Electronic sensitivity increase mode is OFF.
- ② ON: Possible to set the maximum magnification during operation of electronic sensitivity increase.
 - SLOW SHUTTER: x2, x4, x8, x16, x32
The higher the factor, the higher the sensitivity, but motions at maximum factor look unnatural.

(5) LIGHT CONTROL

The backlight compensation and sensing spot area modes can be selected. The wide dynamic level and DC type iris lens are adjusted.

Select LIGHT CONTROL on the main menu screen. Press the SET button, and the screen at right shows up.

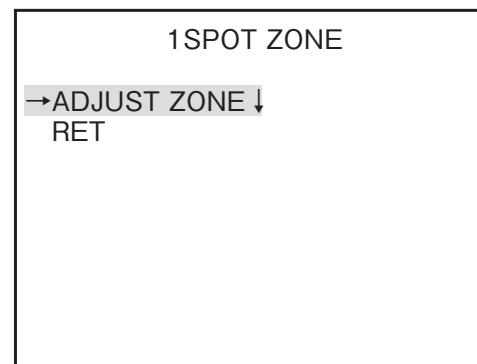
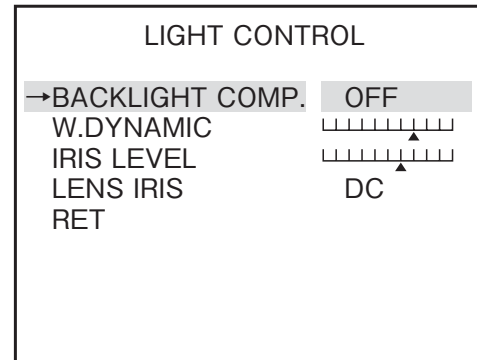
① BACKLIGHT CMP.:

The backlight compensation modes can be selected.

- ON: Normal backlight compensation mode is in effect.
- 1SPOT: Select 1SPOT and press the SET button, and the screen shown at right appears. Highlight ADJUST ZONE and press the SET button, and the BLC compensation sensing area setting screen comes up.

Each time the SET button is pressed, the assigned area color changes in turn Blue, Green and Red in this order.

- In case of Blue:
Using the UP, DOWN, LEFT or RIGHT button, the field can be moved wherever you like.
- In case of Green:
Using the UP, DOWN, LEFT or RIGHT button, the field can be enlarged.
- In case of Red
Using the UP, DOWN, LEFT or RIGHT button, the field can be reduced.



* To quit the field setting screen, hold down the SET button longer than 2 seconds.

Once the 1SPOT ZONE screen appears, select RET and press the SET button. The previous menu shows up.

- 2SPOT: As with the 1SPOT mode, two sensing areas can be preset. Take the same procedure as for the 1SPOT mode.
- OFF: The backlight compensation is off.

② W.DINAMIC: The hyper wide dynamic level can be varied. Adjust the marker while watching an actual scene to have an optimum result.

③ IRIS LEVEL: Adjust the diaphragm.

Move the marker to the right, and the lens opens (Brightness enhanced).

Adjust the marker while watching an actual scene to have an optimum result.

④ LENS IRIS: Select according to the type of lens used.

- DC: Select when using an auto-iris lens.

* With the ISD-A33, remains fixed in DC mode.

(6) GAIN

The gain control modes can be selected.

① AGC: This is an automatic sensitivity adjustment mode.

Select AGC and press the SET button, and maximum gain setting can be achieved. To suppress the noise lower than at the HIGH (initial) setting, select MID or LOW.

② HYP-AGC: This mode is higher in sensitivity than AGC. But images may look rugged at higher sensitivities.

③ LOW: This fixed-gain mode keeps the sensitivity low for brighter spots.

④ MID: This fixed-gain mode keeps the sensitivity middle between HIGH and LOW.

⑤ HIGH: The fixed-gain mode keeps the sensitivity high for darker spots.

(7) WHITE BALANCE

The white balance mode can be selected. The manual white balance settings are also made.

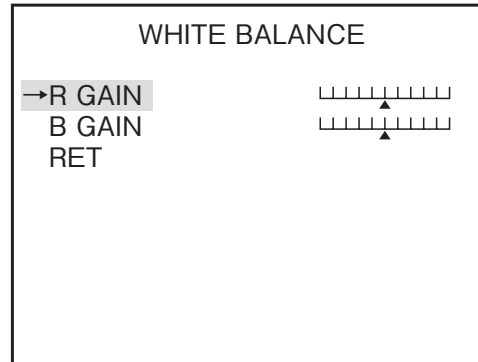
① ATW: White balance is automatically changed to full time auto-tracking.

② ATW Ex: White balance is automatically changed to full time auto-tracking, but the covering area of color temperature range gets higher than the ATW mode.

Compared with the ATW mode, an accuracy of white tracking is not very good in this mode, but in certain conditions this may powerful to compensate color differences.

③ AWC: This is the so-called one-push automatic white balance control. Shoot a target white subject and press the SET button, and the white balance will be adjusted.

④ MANUAL: Adjust manually
Select MANUAL, press the SET button and the screen at left appears onscreen.
R GAIN is used to adjust the reddish color. B GAIN is used to adjust the bluish color.



(8) EXIT

Used to save the settings and to quit the menu.

(9) CANCEL

Used to return the settings to the previously saved ones.

(10) RESET

Used to return the settings to the factory ones.

8-3-3. SETUP MENU 3/4

* New settings can be saved, if EXIT is selected to quit the menu.

SETUP MENU		
→PAGE		3/4
CAMERA ID		OFF
VIDEO FLIP		OFF
PRIVACY MASK ↓		
DIGITAL ZOOM ↓		
RESOLUTION		NORMAL
PROGRES. SCAN		OFF
EXIT	CANCEL	RESET

(1) PAGE

Possible to change pages.

(2) CAMERA ID

Up to 24 characters can be displayed on screen.

① OFF: No screen display.

② ON: Screen display.

● ID characters setting

Keep CAMERA ID highlighted and press the SET button. The screen at right shows up.

- ID: Press the SET button on ID, and the cursor appears. With the LEFT or RIGHT button, select a character. Press the SET button to save it, and the character box advances to the next one. To delete a character, press the SET button to go through the code and place the cursor in the character to delete. Press the LEFT or RIGHT button to get the box blank.
- ID ALL CLEAR: Highlight this item and press the SET button. The ID code is cleared.
- ID POSITION: Highlight this item and press the LEFT or RIGHT button. In this way, the ID code can be positioned up or down.

* **Note:** If the camera ID is displayed on the same line as the privacy mask, the mask becomes transparent. Set so that the camera ID and mask do not overlap.

ID EDIT	
→ID	
ID ALL ERASE	
ID POSITION	TOP
RET	

(3) VIDEO FLIP

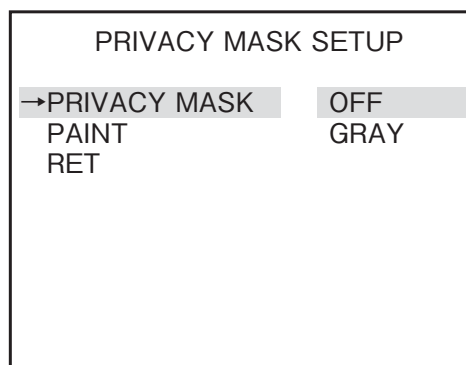
Set Video Flip

- ① OFF: No video flip.
- ② HORIZ: Flips the image to right or left.
- ③ VERT: Flips the image up or down. This setting will be required when you install this unit on a wall.
- ④ BOTH: Flips the image up and down or right and left.

(4) PRIVACY MASK

Possible to set up to 8 privacy masks. Move to the Privacy Mask item and press the SET button to display screen to the right.

* **Note:** If the camera ID is displayed on the same line as the privacy mask, the mask becomes transparent. Set so that the camera ID and mask do not overlap.

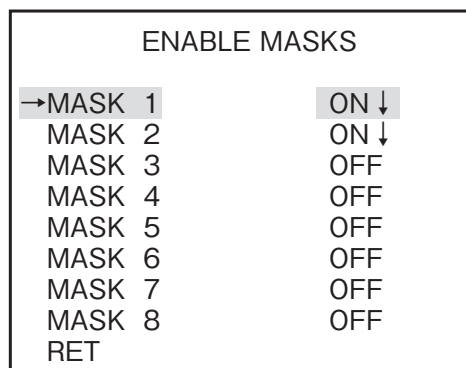


With this screen, make On or Off of the privacy masking and desired color of masking with PAINT, in three colors, Grey, Black or White.

While the privacy masking ON and push SET button, an individual setup screen comes out.

With this screen, eight (8) different individual masking can be set.

It is possible to press the SET button and set the mask position and size for the mask of the numbers set to ON.



● Mask setting procedure

- ① Move the blue semitransparent cursor to the above left of the location you wish to mask and press the SET button. (If other masks are ON, the masks other than the one being set are displayed as grey semitransparent).
- ② When the cursor changes to blue, use the UP, DOWN, RIGHT, LEFT buttons to adjust the size.

Each button is for;

- UP : Moves a mask bottom line to above (Shrink height)
- DOWN : Moves a mask bottom line to below (Enlarge height)
- RIGHT : Moves a mask bottom line to below (Enlarge height)
- LEFT : Moves a mask bottom line to below (Enlarge height)

- ③ Press the SET button to display the mask section as blue semitransparent.

If you want to change the mask position, push SET button and change the screen to a translucent sky blue screen.

If you want to change the mask size, push SET button and change the screen to a translucent blue screen.

When multiple mask displays are ON, each time the SET button is pressed for a mask whose display is ON, the selection condition changes in the following order (masks whose display is OFF are skipped).

Mask1 Sky blue → Mask1 blue → Mask2 Sky blue → Mask2 blue → Mask3 Sky blue → Mask3 blue → Mask4 Sky blue and so on.

- ④ Hold SET button more than 2 seconds, the screen changes to the Privacy Mask Setting. This process shall be made after finishing mask setting.

(5) DIGITAL ZOOM

Set the zoom.

- ① ZOOM: Possible to choose among OFF, 2 magnification, 4 magnification and 8 magnification
- ② PAN: Move the zoom range to the right or left. Adjust to the desired position while viewing the screen.
- ③ TILT: Move the zoom range up or down. Adjust to the desired position while viewing the screen.

(6) RESOLUTION

Set the resolution.

- ① NORMAL: This sets the camera to the normal resolution.
- ② HIGH: This sets the camera to the high resolution.

* If HIGH is selected, the screen may appear to be reduced to a smaller size. This is not a malfunction.

(7) PROGRES.SCAN

This switches ON or OFF of the progressive scan.

(8) EXIT

Used to save the settings and to quit the menu.

(9) CANCEL

Used to return the settings to the previously saved ones.

(10) RESET

Used to return the settings to the factory ones.

8-3-4. SETUP MENU 4/4

* New settings can be saved, if EXIT is selected to quit the menu.

SETUP MENU		
→PAGE		4/4
MONITOR		LCD
SYNC		LL
VIDEO STANDARD ↓		
COLOR BAR		
MENU LOCK		OFF
EXIT	CANCEL	RESET

(1) PAGE

Possible to change pages.

(2) MONITOR

The optimum picture quality can be selected according to the monitor used.

- ① CRT: To be used when the camera is connected with a CRT (cathode ray tube) monitor.
- ② LCD: To be used when the camera is connected with an LCD monitor.

(3) SYNC

The Sync systems, AC line Lock, internal Lock or Gen-lock mode are selected.

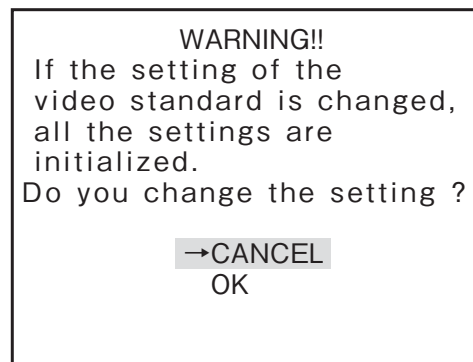
- ① INT: The internal sync mode is selected.
- ② LL: Power source synchronous mode.
 - * Power frequency cannot be used in 50 Hz range.
 - * Cannot be used with DC12V input.

(4) VIDEO STANDARD

This changes video standard between NTSC and PAL.

After selecting this video standard and push SET button, then the following warning message will appear on a screen.

- ① CANCEL: goes back to the Setup Menu screen.

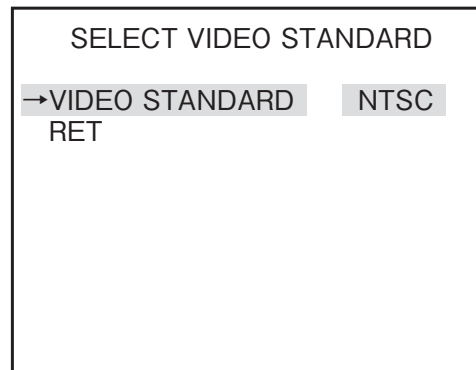


- ② OK: Selection screen will appear, as shown right.
NTSC or PAL can be selected.

* Ever time changing the standard, all the parameters of video related items goes back to the factory setting position

***Note :** Select the video signal method according to your TV system. If

the wrong selection is made, the image may be distorted or not displayed. This does not indicate a malfunction.



(5) COLOR BAR

Press the SET buttons to get the color displayed. Press the SET button again to go back to the Setup Menu screen.

(6) MENU LOCK

The menu lock function protects saved settings against accidental modifications.

① To Lock

Get the saved settings locked with the LEFT and RIGHT buttons to ON.

② Operation

When locked, EXIT alone is effective and all the other actions are invalid.

③ Unlocking

Press the button in the order

UP → RIGHT → DOWN → LEFT → UP → DOWN → SET in the set-up mode.

If a wrong button is pressed halfway, start all over again.

(7) EXIT

Used to save the settings and to quit the menu.

(8) CANCEL

Used to return the settings to the previously saved ones.

(9) RESET

Used to return the settings to the factory ones.

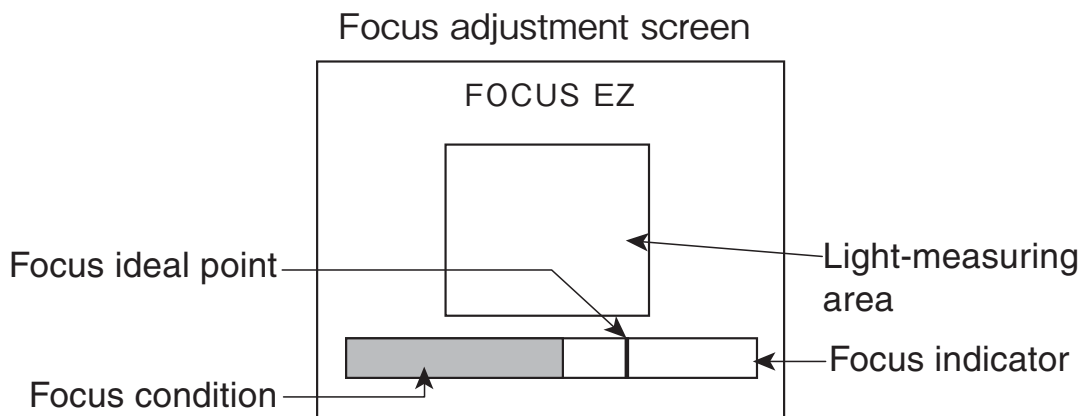
9. FOCUS EZ function

9-1. Screen Displays

FOCUS EZ is a function to support focus adjustment. A focus indicator displayed on the screen can be used to confirm the focus conditions. In case of auto-iris, it is possible to open the lens aperture forcibly for a set time period to carry out focus adjustment without worrying about field of depth even in a bright environment during the day. (The camera sensitivity is adjusted automatically, and there is no influence on the displayed image).

Press the UP button for two seconds to start FOCUS EZ and go to the focus adjustment screen.

FOCUS EZ cannot be started in the setup mode.



While viewing the focus indicator on the focus adjustment screen, it is possible to adjust the focus. Displayed on the focus indicator are the focus ideal point (black) and the present focus condition (light blue). Adjust the focus so that the focus condition reaches the ideal point.

Pressing the DOWN button once during FOCUS EZ operation terminates FOCUS EZ.

- * The focus ideal point moves with passage of time.
- * The focus ideal point may go beyond the point indicated by the focus indicator. In that case, the focus ideal point returns to the center of the indicator. This does not indicate a malfunction.

10. Warranty and after-sale service

A warranty accompanies this product. Read and fill out the warranty card that you have received at your dealer. Keep this card in a safe place.

- Please consult Ikegami Electronics (U.S.A.) Inc. or Ikegami Electronics (Europe) GmbH or your dealer for full warranty information. Your dealer will repair or replace free of charge within the warranty period according to the warranty coverage.
 - For repairs after the expiration of the warranty period, consult your dealer or sales representative. It will first be judged whether the fault is repairable or not. Charged servicing will then be made upon request of the user.
 - Before you ask for servicing, please ensure you read the Instruction Manual. If the unit still fails, take note of the model number, date of purchase, problem, etc. in detail, and inform your dealer or sales representative.
 - If you have questions about the after-sale service, contact your dealer or sales representative.
- * We suggest you ask for preventive inspection as soon as possible.

11. Specifications

- (1) Image Sensor: 1/3-inch Pixim DPS CMOS sensor
- (2) Pixel Number: Approx. 410,000 pixels, 758 (H) x 540 (V)
- (3) Scanning system: 525 TV lines / 59.94Hz (60 Hz with Line-Lock ON), 2 : 1 interlace
- (4) Sync system: INT/LINE-LOCK (phase adjustable) (Line-lock not usable where the power frequency and the camera's vertical frequency are different from each other or when the camera is DC-driven)
- (5) Video output: VBS 1.0Vp-p/75 ohms
MON.OUT 1.0Vp-p/75 ohms
- (6) Resolution: Horizontal; 520 TV lines In the high-resolution mode (690TVL-Effective)
- (7) S/N ratio: Over 50 dB/rms (AGC OFF, Detail OFF)
- (8) Minimum object illumination: 0.3Lx/F1.4 (in Hyper AGC mode)
- (9) Wide Dynamic Range: Built-in and Variable
- (10) AGC: ON (AGC, HYPER-AGC)/OFF (LOW, MID, HIGH) Selectable
- (11) Electronic Sensitivity Control: Built-in, On (AUTO) or Off Selectable
Maximum 32 times
- (12) White Balance Control: ATW/ATWex/AWC/MANU, Selectable
- (13) Private Mask Setting: Built-in. Up to 8 areas
- (14) Digital Noise Reduction: Built-in, On or OFF, Selectable
- (15) Optimum Monitor Output Selection: Built-in, CRT or LCD types, Selectable
- (16) Camera ID: 1 Line, up to 24 characters
(alphanumeric and symbols)
- (17) Local Setup: By using the switch inside the camera, it is possible to select and set items according to the OSD.
Camera ID, AGC ON/OFF, ATW/AWC/MANU selection and adjustment, Sync LL/INT switching, and phase adjustment, Wide Dynamic Range level, Iris Level, Back light compensation On or Off and BLC Spot area setting, Electronic Sensitivity Up ON/OFF,

	DNR ON/OFF, Monitor output selection in CRT/LCD, Detail level, Chroma level, control, P.Mask setting
(18) Focus assist	FOCUS EZ function (With focus indicator)
(19) Video Flip function	Built-in. up or down, right or left, up and down or right and left
(20) Lens:	Built-in. C mount Vari-focal Lens: f2.9mm ~ 10mm f9 ~ 22mm
(21) Power Requirement:	DC 12 V (+10.5V ~ + 15V) AC 24 V \pm 10% (50/60Hz)
(22) Power Consumption and Current:	Approx. 2.0 watts
(23) Operating Temperature and Relative humidity:	-10 to +50°C, RH 30% to 90% (No Condensation)
(24) Dome cover:	Inner and Outer, Double dome type
(25) Size:(Diameter & Height)	ø124.2mm x 102.0mm (excluding protrusions)
(26) Weight:	Approx. 340g
(27) Input/output connectors:	<ul style="list-style-type: none"> • VIDEO OUT: BNC • Power input: open-ended wires • MONI.OUT Connector output
(28) Supplied accessories:	Instruction Manual: 1 Tapping screws to secure camera: 2 MONI.OUT output harness: 1

* Specifications and design are subject to change for product improvements without notice.

Gracias por haber elegido esta cámara de domo DPS de gama dinámica hiperancha de Ikegami.

Lea con mucha atención este Manual de instrucciones para mantener su cámara Ikegami en las mejores condiciones de funcionamiento durante muchos años.

Esta unidad es una cámara en color de CMOS de tipo domo que incorpora un objetivo de variación focal de iris automático especial y que utiliza un sistema de sensor de píxeles digital de tipo de 1/3".

Este producto de Ikegami se fabrica con componentes que respetan el medio ambiente, basándose en nuestra política corporativa y de responsabilidad social que contribuye a la solución medioambiental global para la conservación de la energía y el medio ambiente. Ninguno de los componentes utilizados en este producto es peligroso, tóxico o contiene plomo, y todos ellos cumplen con los reglamentos de Productos Ecológicos de Japón, la directiva RoHS de la UE y otros reglamentos y leyes relacionados con el Medio Ambiente y Sustancias Químicas Peligrosas.

Índice

	Página
1. Precauciones de manejo.....	S-1
2. Generalidades.....	S-1
3. Características	S-2
4. Instalación de la cámara	S-4
4-1.Trabajo anterior a la instalación	S-4
4-2. Montaje de la cámara (Techo).....	S-4
4-3. Montaje de la cámara (Pared).....	S-4
5. Nombre de cada sección y su función	S-5
6. Conexión	S-7
6-1. Cable de alimentación	S-7
6-2. Cable de salida de vídeo (BNC)	S-7
6-3. Salida de monitor de prueba (MONI.OUT)	S-7
7. Ajuste de ángulo y objetivo	S-8
7-1. Ajuste de ángulo	S-8
7-2. Ajuste del objetivo de variación focal.....	S-8
8. Procedimiento de operación	S-9
8-1. Configuración del usuario	S-9
8-2. Nombres y funciones del botones de configuración	S-9
8-3. Procedimientos el modo de configuración.....	S-9
9. Función FOCUS EZ (enfoque fácil)	S-20
10.Garantía y servicio postventa.....	S-21
11.Especificaciones	S-22
12.External Appearance	
13.Setup Flow Chart	



El signo de exclamación dentro de un triángulo equilátero tiene la finalidad de avisar al usuario de la presencia de instrucciones de funcionamiento y mantenimiento (reparaciones) importantes en los manuales que acompañan al aparato.

NOTA:

Este equipo ha sido probado y ha demostrado cumplir con los límites establecidos para los dispositivos digitales de la clase A, en conformidad con el apartado 15 de los Reglamentos de la FCC. Estos límites han sido diseñados para proporcionar una protección razonable contra la interferencia perjudicial si el equipo se utiliza en un entorno comercial. Este equipo genera, utiliza y puede radiar energía radioeléctrica, y, si no se instala y usa de acuerdo con las instrucciones, puede causar interferencias perjudiciales en las comunicaciones por radio, en conformidad con el apartado 15 de los Reglamentos de la FCC. Estos límites han sido establecidos para proporcionar una protección razonable, el usuario tendrá que corregir la interferencia corriendo él a cargo de los gastos pertinentes.

AVISO:

CUALQUIER CAMBIO O MODIFICACIÓN NO APROBADA EXPRESAMENTE POR LA PARTE RESPONSABLE DEL BUEN FUNCIONAMIENTO DEL APARATO PODRÍA ANULAR LA AUTORIZACIÓN DEL USUARIO PARA UTILIZAR EL EQUIPO.

Instrucciones para la eliminación de equipos eléctricos y electrónicos en casas privadas



Eliminación de equipos eléctricos y electrónicos usados

(Aplicable a la Unión Europea y a otros países europeos con reglamentos de eliminación y recogida diferentes.)

Este símbolo en el producto, o en los documentos relacionados, indica que este producto no deberá ser tratado como un residuo doméstico normal. En cambio, deberá ser llevado a un punto o lugar donde los equipos eléctricos y electrónicos sean recogidos para ser reciclados.

Asegurándose de que este producto sea eliminado correctamente, usted ayudará a impedir las posibles consecuencias negativas sobre el medio ambiente y la salud humana que podrían ser causadas por el manejo inapropiado de este producto como residuo doméstico. El reciclado de los materiales ayudará a conservar los recursos naturales.

Para conocer una información más detallada acerca del reciclado de este producto, póngase en contacto con las autoridades de su localidad, con su servicio de recogida de residuos domésticos o con el comercio donde adquirió el producto.

INSTRUCCIONES IMPORTANTES DE SEGURIDAD

- 1) Lea estas instrucciones.
- 2) Conserve estas instrucciones.
- 3) Preste atención a todas las advertencias.
- 4) Siga todas las instrucciones.
- 5) No utilice este aparato cerca de agua.
- 6) Limpie solamente con un paño seco.
- 7) No bloquee ninguna de las aberturas de ventilación. Instale de acuerdo con las instrucciones del fabricante.
- 8) No instale cerca de fuentes térmicas tales como radiadores, registros térmicos, estufas, ni demás aparatos (incluyendo amplificadores) que produzcan calor.
- 9) No anule la finalidad de seguridad del enchufe polarizado o de tipo puesta a tierra. Un enchufe polarizado posee dos cuchillas, una más ancha que la otra. Un enchufe de tipo puesta a tierra posee dos cuchillas y tercer contacto de puesta a tierra. La cuchilla ancha y el tercer contacto se utilizan para su seguridad. Cuando el enchufe proporcionado no encaje en la toma de corriente de la pared, solicite a un electricista que reemplace el enchufe obsoleto.
- 10) Proteja el cable de alimentación para que no se pise ni dañe especialmente en el enchufe, la toma de corriente, y el punto de salida del aparato.
- 11) Utilice solamente los suplementos/accesorios especificados por el fabricante.
- 12) Utilice solamente con un carrito, pedestal, trípode, soporte, o mesa especificados por el fabricante, o vendidos con el aparato. Cuando utilice un carrito, tenga cuidado cuando mueva la combinación de carrito/aparato para evitar que vuelque y cause lesiones.



- 13) Desenchufe este aparato durante tormentas eléctricas y cuando no vaya a utilizarlo durante mucho tiempo.

- 14) Solicite cualquier reparación a personal de servicio cualificado. La reparación se requerirá cuando el aparato se haya dañado de alguna forma, por ejemplo, cuando se haya dañado el cable o el enchufe de alimentación, se haya vertido líquido o hayan entrado objetos dentro del aparato, cuando el aparato haya estado expuesto a la lluvia o la humedad, cuando no funcione normalmente, o cuando haya caído.
- 15) PRECAUCIÓN – Estas instrucciones de servicio son para que las utilice solamente personal de servicio cualificado. Para reducir el riesgo de incendios o de descargas eléctricas, no realice ningún tipo de servicio, excepto el indicado en el manual de instrucciones, a menos que usted también esté cualificado para ello.

1. Precauciones de manejo

- No exponga el mecanismo interno de la cámara en un ambiente donde se salpique agua o exista mucha humedad.
 - No utilice la cámara donde la temperatura ambiental sea inferior a -10°C o superior a +50°C. Las imágenes y las piezas componentes podrían ser afectadas o la cámara podría funcionar mal.
 - No abra la caja de la cámara a menos que sea absolutamente necesario para su preparación o instalación, porque en su interior hay componentes eléctricos y electrónicos de precisión y podría producirse un accidente.
 - Asegúrese de desconectar la alimentación antes de instalar o conectar la cámara.
 - Tenga cuidado para no dejar caer ni golpear con fuerza la cámara mientras la transporta.
 - No toque el sensor de imagen.
 - No oriente directamente la cámara hacia el sol.
- * Debido a las características del dispositivo de imagen digital, las imágenes pueden aparecer alteradas debido a las altas temperaturas. Esto no significa que la cámara esté estropeada.

2. Generalidades

Esta unidad es una cámara en color de CMOS de tipo domo que incorpora un objetivo de variación focal de iris automático especial y que utiliza un sistema de sensor de píxeles digital de tipo de 1/3". Se caracteriza por WDR (gama dinámica amplia), alta sensibilidad y alta resolución y ofrece también funciones tales como corrección de contraluz, bloqueo de línea de iris automático, etc., haciendo que sea una cámara CCTV idónea para vigilancia en general.

En el exterior se utiliza una configuración de domo, por lo que resulta ideal como cámara de vigilancia de interior con énfasis en interiores.

3. Características

(1) Configuración de domo compacta

El objetivo de la cámara está alojado en una configuración de domo compacta para permitir la vigilancia con imágenes sin notar que hay una cámara instalada.

(2) Unidad integrada con objetivo de variación focal de ajuste triaxial en una sola unidad

Éste es un diseño de tipo integrado que se caracteriza por un objetivo de variación focal. Como puede funcionar con ajuste triaxial, aunque se fije a una pared, podrá ajustarse a una gama de captación de imágenes arbitraria.

(3) Gama dinámica de luz hiperancha (Hiper-WDR)

La función de gama dinámica hiperancha proporciona una compensación muy efectiva de las zonas muy iluminadas u oscuras de la pantalla. Esta situación se produce generalmente al filmar desde interiores escenas del exterior. Aunque las fluctuaciones de la iluminación sean grandes, los objetos brillantes y oscuros podrán filmarse y verse claramente con un color natural.

(4) Balance automático del blanco

Gracias al control de balance del blanco con seguimiento automático (ATW), el control de balance del blanco se ajusta automáticamente sin importar lo grande que sean las fluctuaciones de la temperatura del color del motivo. También se provee una función de cobertura extendida, como la ATWex, para condiciones de iluminación específicas.

(5) Alta calidad de imagen y alta resolución

La cámara ha sido diseñada para captar imágenes sin borrosidad y con poco ruido. El bien diseñado DSP, procesador de señal digital, realza eficazmente los detalles, lo que logra imágenes puras y nítidas con una relación señal a ruido alta. La resolución alta de una resolución horizontal de 520 líneas de TV (efectiva de 690 líneas horizontales de TV) queda por lo tanto asegurada.

(6) Alta sensibilidad

Se encuentran disponibles varios modos de control automático de ganancia (AGC) para ajustar con precisión las configuraciones de la cámara dependiendo de las condiciones de la iluminación del motivo.

- (7) Función de selección de salida de monitor óptima
Con esta función se puede obtener la calidad de imagen óptima para los monitores de CRT o LCD. Algunas veces, los monitores de procesamiento digital tipo LCD muestran características de reproducción diferentes y usted puede elegir esta selección de salida para visualizar las mejores imágenes en la pantalla del monitor.
- (8) Archivo de escena
Además del ajuste normal (NORMAL), hay cuatro patrones para archivos de escena (archivos de ajustes) que se preajustan de antemano a una escena particular. Seleccionado estos patrones, es fácil ajustar la imagen para adaptarla a la escena sin necesidad de realizar ajustes especializados de la imagen.
- (9) Función FOCUS EZ (enfoco fácil)
El indicador de nivel se muestra para permitir juzgar inmediatamente el punto focal. Además, el enfoque del objetivo de iris automático se libera para facilitar el enfoque sin necesidad de preocuparse por la profundidad de campo incluso en un entorno brillante durante el día.

4. Instalación de la cámara

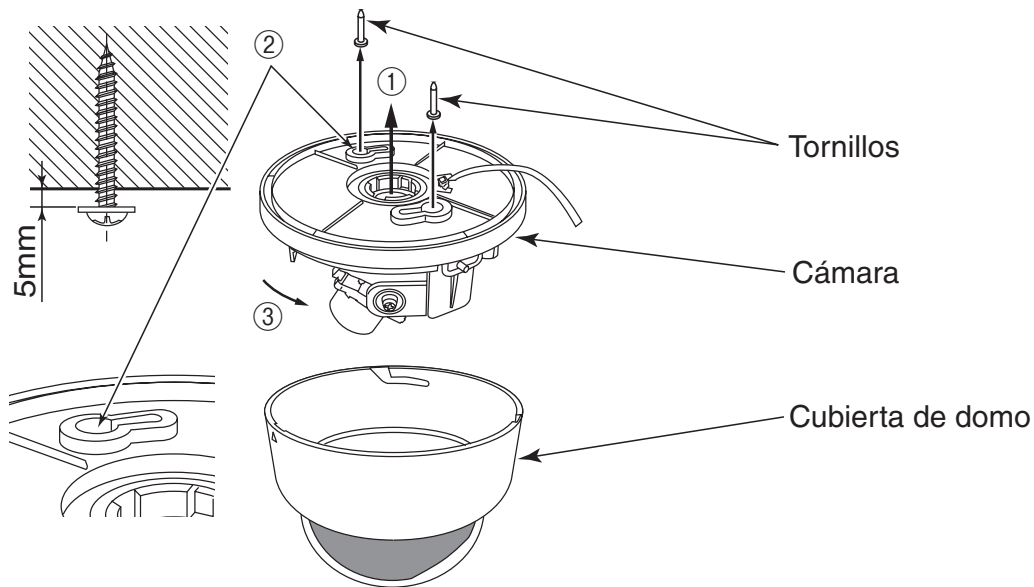
4-1. Trabajo anterior a la instalación

Para fijar una cámara se necesitan dos agujeros.



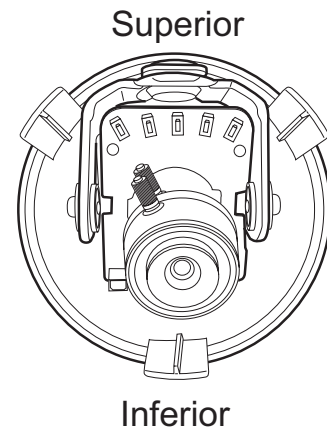
4-2. Montaje de la cámara (Techo)

Ponga dos tornillos de fijación dejando una separación de unos 5 mm. Estos dos tornillos se apretarán posteriormente para asegurar la cámara de domo. Pase el cableado a través del agujero central de la base de la cámara ① y alinee las dos ranuras tipo agujero para llave con los tornillos. Gire la unidad hacia la derecha hasta que se detenga y luego apriete los dos tornillos de fijación. Vuelva a poner la cubierta de domo.

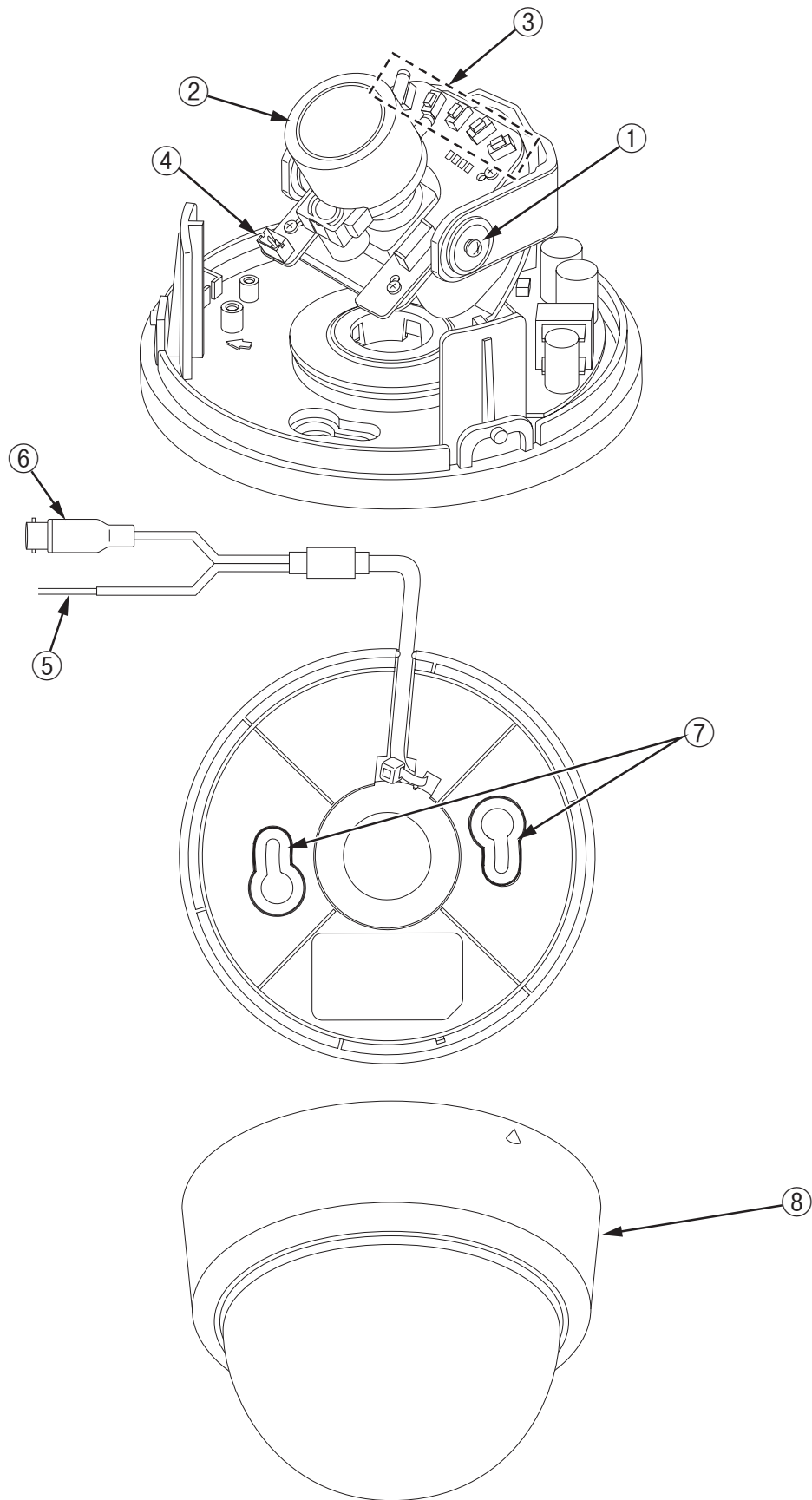


4-3. Montaje de la cámara (Pared)

La forma de hacer la instalación es casi idéntica a la que se sigue para hacer la instalación en un techo. Instale la unidad principal de forma que el interruptor quede en la parte superior, como se muestra en la ilustración de la derecha, y ajuste "VIDEO FLIP" del menú de configuración a "VERT".



5. Nombre de cada sección y su función



- ① Tornillos de fijación del objetivo (elevación)
Éstos son tornillos que bloquean la cámara en la posición de elevación deseada. Fije estos tornillos después de establecer la posición de visión.
- ② Objetivo de variación focal
Puede utilizarse con ángulo de visión flexible utilizando el objetivo de variación focal.
- ③ Conmutadores para configuración de la cámara
Consulte la sección 8 (Procedimiento de operación)
- ④ Salida de monitor de prueba
Conecte el cable de salida de MONI.OUT accesorio.
- ⑤ Cable de alimentación
Éste es un cable de alimentación. Se tiene que conectar a una fuente de alimentación de 24 V CA (21,6-26,4V CA) o 12 V CC sin polaridad. Compruebe la tensión de la fuente de alimentación externa antes de suministrar alimentación a la cámara.
* Esta instalación deberá hacerla un técnico de servicio cualificado, y deberá cumplir con todos los códigos locales.
- ⑥ Cable de salida de vídeo (BNC)
Éste es la salida de la señal de vídeo. Conéctelo a un monitor o conmutador.
- ⑦ Agujeros de fijación (dos ranuras tipo agujero para llave)
- ⑧ Cubierta de domo

6. Conexión

Asegúrese de no encender la cámara hasta después de finalizar todas las conexiones.

6-1. Cable de alimentación

Utilice 12 V CC (10,5 V a 15 V) o 24 V CA ($\pm 10\%$) con frecuencia de 60 Hz y 50 Hz.

* Esta instalación deberá hacerla un técnico de servicio cualificado, y deberá cumplir con todos los códigos locales.

6-2. Cable de salida de vídeo (BNC)

Éste es un terminal de salida de vídeo. Se utiliza como salida de vídeo convencional para monitores o conmutador.

6-3. Salida de monitor de prueba (MONI.OUT)

- Terminal de salida de imagen utilizando al instalar la cámara.
- Utilizando el cable accesorio para conectar a VIDEO IN del monitor o al terminal de entrada de imagen, resulta más fácil realizar el posicionamiento y el enfoque.

7. Ajuste de ángulo y objetivo

7-1. Ajuste de ángulo

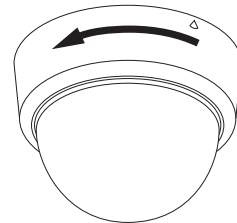
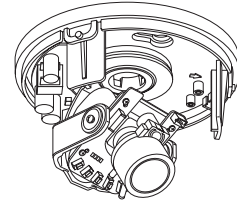
Antes de hacer esto, la cubierta de domo tendrá que quitarse.

● Extracción de la cubierta del domo

Gire la sección negra de la cubierta de domo hacia la izquierda para extraerla.

Tenga cuidado de no dejar caer la cubierta de domo al hacer este trabajo.

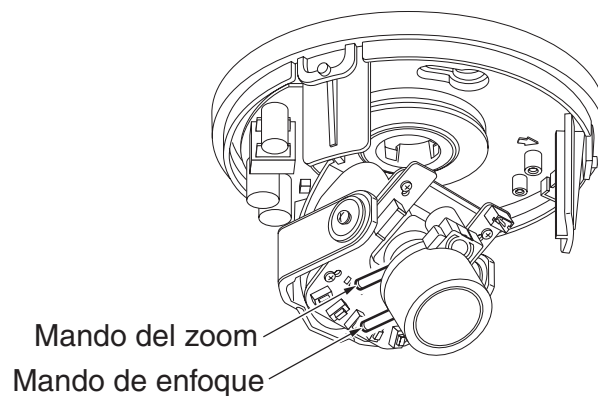
Nota: Para captar imágenes en dirección horizontal, la sección negra de la cubierta de domo puede captarse y perderse parte de la imagen. Ajuste el ángulo de visión en dirección horizontal de forma que la cubierta de domo no se capte.



7-2. Ajuste del objetivo de variación focal

Para cambiar la orientación del objetivo, afloje sus tornillos de fijación para la elevación. Ajuste la perilla del zoom para el encuadre y el ángulo, y la perilla de enfoque para ajustar el enfoque. Utilizando esas dos perillas, ajuste el objetivo para obtener el encuadre, el ángulo y el punto focal deseados. Repita este procedimiento un par de veces para que usted pueda obtener el mejor resultado.

Una vez logrados los ajustes deseados, apriete firmemente los tornillos para fijar la posición.



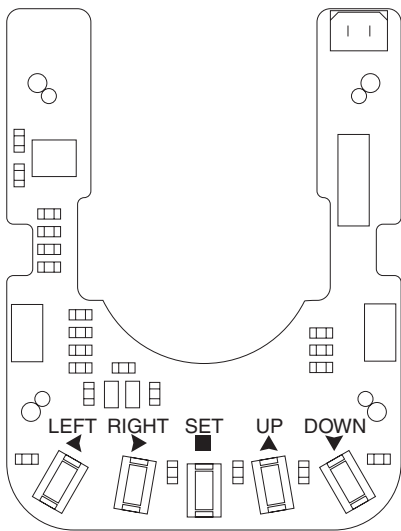
8. Procedimiento de operación

8-1. Configuración del usuario

Esta cámara de domo está provista con una función de configuración del usuario para ajustar la calidad de la imagen, puesta de la identificación de la cámara. El menú de configuración es una visualización en pantalla en forma de árbol.

Cuando instale la cámara podrá configurar varias funciones.

8-2. Nombres y funciones del botones de configuración



UP	_____	Para seleccionar parámetros de configuración (subida y bajada).
DOWN	_____	
RIGHT	_____	Para cambiar parámetros de configuración.
LEFT	_____	
SET	_____	Para entrar el modo de configuración o salir de él, y para entrar y ejecutar programas.

* Para entrar en el modo de configuración, mantenga pulsado el botón SET durante más de 2 segundos.

8-3. Procedimientos el modo de configuración

Mantenga pulsado el botón SET durante más de 2 segundos y la pantalla de menú de configuración aparecerá en la pantalla. Ahora se selecciona un elemento resaltado.

Utilice los botones LEFT/RIGHT para cambiar los elementos de selección.

8-3-1. SETUP MENU 1/4

* Las configuraciones nuevas se pueden guardar si se seleccionó EXIT para salir del menú.

SETUP MENU		
→PAGE		1/4
SCENE		NORMAL
DAY/NIGHT		AUTO ↓
SENS UP		ON
LIGHT CONTROL ↓		
GAIN		AGC ↓
WHITE BALANCE		ATW
EXIT	CANCEL	RESET

(1) PAGE

Se pueden cambiar páginas.

(2) SCENE

Se puede ajustar fácilmente la calidad de la imagen para adecuarla al entorno de fotografía sin realizar ajustes finos de la calidad de la imagen.

- ① NORMAL: Éste es un ajuste de calidad de imagen estándar que puede utilizarse para la mayoría de los motivos fotográficos.
- ② INDOOR1: Adecuado para fotografía en interiores.
- ③ INDOOR2: Adecuado para interiores con contraluz.
- ④ OUTDOOR1: Adecuado para fotografía en exteriores.
- ⑤ OUTDOOR2: Adecuado para exteriores con contraluz.

* No siempre es adecuado para todos los entornos de fotografía. Dependiendo del entorno de fotografía, realice el ajuste de la calidad de la imagen sin seleccionar SCENE. Cuando el menú relacionado con la calidad de la imagen cambie del valor de ajuste inicial, a la unidad pasará a CUSTOM.

(3) DAY/NIGHT (Día/noche)

Se puede cambiar entre día y noche.

- ① AUTO: Se hace el cambio automático: imágenes en color de alta calidad durante el día e imágenes en blanco y negro de alta sensibilidad durante la noche. Pulse el botón SET y se mostrará la pantalla de la derecha.

DAY/NIGHT	
→SWITCHED LEVEL	MID
RET	

- SWITCHED LEVEL: Se puede preajustar el nivel del brillo para el cambio al modo de día o al modo de noche. Los niveles se seleccionan en el orden de BRIGHT, MID y DARK.

- ② COLOR: Se puede seleccionar el modo de color.
- ③ B/W: Se puede seleccionar el modo de blanco y negro (B/W).

(4) SENS UP

Selección del modo de aumento de sensibilidad electrónico. Se puede elegir el índice de aumento de sensibilidad electrónico.

- ① OFF: Modo de aumento de sensibilidad electrónico desactivado.
- ② ON: Se puede ajustar la ampliación máxima durante la operación de aumento de sensibilidad electrónico.
 - SLOW SHUTTER: x2, x4, x8, x16 y x32. Cuando más alto es el factor más alta es la sensibilidad, pero los movimientos con el factor al máximo no parecen naturales.

(5) LIGHT CONTROL

Se pueden seleccionar los modos de compensación de luz de fondo y fotometría de punto. El nivel de gama dinámica amplia y el objetivo de iris tipo DC se ajustan.

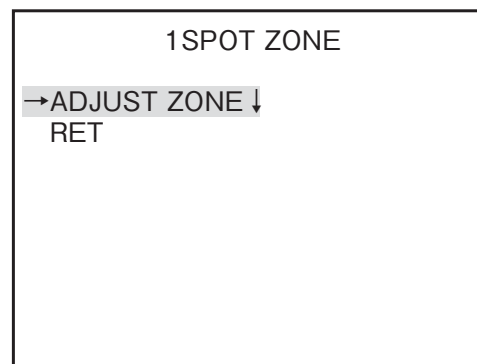
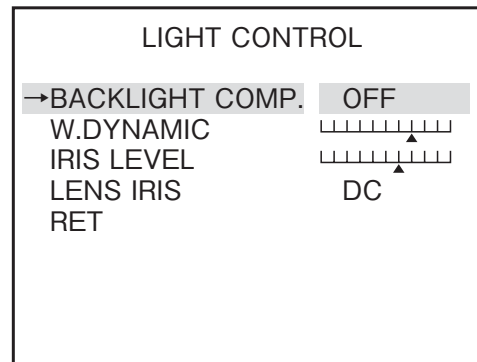
Seleccione LIGHT CONTROL en la pantalla del menú principal. Pulse el botón SET y se mostrará la pantalla de la derecha.

- ① BACKLIGHT CMP.: Se podrán seleccionar los modos de compensación de luz de fondo.
 - ON: El modo de compensación de luz de fondo está activado.
 - 1SPOT: Seleccione 1SPOT, pulse el botón SET y aparecerá la pantalla mostrada a la derecha. Haga resaltar ADJUST ZONE, pulse el botón SET y aparecerá la pantalla de fotometría para la compensación BLC.

Cada vez que se pulsa el botón

SET, el color del área asignada cambia en el orden de azul, verde y rojo.

- En el caso del color azul:
 - Utilizando el botón UP, DOWN, LEFT o RIGHT, el campo se puede mover a donde usted quiera.
- En el caso del color verde:
 - Utilizando el botón UP, DOWN, LEFT o RIGHT, el campo se puede ampliar.



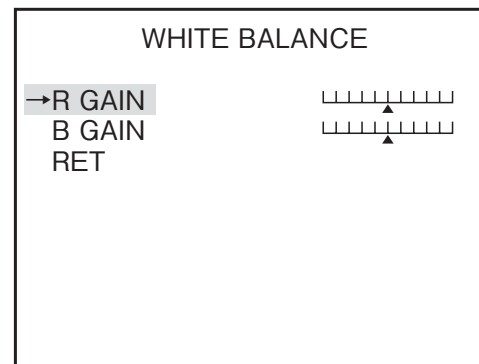
- En el caso del color rojo
Utilizando el botón UP, DOWN, LEFT o RIGHT, el campo se puede reducir.
* Para salir de la pantalla de ajuste del campo, mantenga pulsado el botón SET durante más de 2 segundos.
Una vez que aparezca la pantalla 1SPOT ZONE, seleccione RET y pulse el botón SET. Se muestra el menú anterior.
 - 2SPOT: Al igual que con el modo 1SPOT, se pueden preajustar dos áreas de fotometría. Siga el mismo procedimiento que para el modo 1SPOT.
 - OFF: La compensación de luz de fondo está desactivada.
 - ② W.DINAMIC: El nivel de gama dinámica hiperancha se puede cambiar. Ajuste el marcador mientras ve la escena real para tener un resultado óptimo.
 - ③ IRIS LEVEL: Ajuste al diafragma.
Mueva el marcador a la derecha y el objetivo se abrirá (más brillo). Ajuste el marcador mientras ve la escena real para tener un resultado óptimo.
 - ④ LENS IRIS: Seleccione de acuerdo con el tipo de objetivo que utilice.
 - DC: Seleccione cuando utilice un objetivo de iris automático.
 - * Con ISD-A33, permanece fijado en el modo DC.
- (6) GAIN
Se pueden seleccionar los modos de control de ganancia.
- ① AGC: Éste es un modo de ajuste automático de sensibilidad. Seleccione AGC y pulse el botón SET. Usted podrá lograr ahora el ajuste de ganancia máximo. Para suprimir el ruido inferior al del ajuste HIGH (inicial), seleccione MID o LOW.
 - ② HYP-AGC: Este modo ofrece una sensibilidad más alta que el modo AGC. Pero las imágenes pueden parecer difusas con sensibilidades más altas.
 - ③ LOW: Este modo de ganancia fija mantiene la sensibilidad baja para los puntos más brillantes.
 - ④ MID: Este modo de ganancia fija mantiene la sensibilidad media, entre HIGH y LOW.
 - ⑤ HIGH: Este modo de ganancia fija mantiene la sensibilidad alta para los puntos más oscuros.
- (7) WHITE BALANCE
Se puede seleccionar el modo del balance del blanco. Y también se puede hacer el ajuste manual del balance del blanco.

- ① ATW: El balance del blanco cambia automáticamente a seguimiento automático a tiempo completo.
- ② ATW Ex: El balance del blanco cambia automáticamente a seguimiento automático a tiempo completo, pero el área de cobertura de la gama de temperaturas del color aumenta más que en el modo ATW.

En comparación con el modo ATW, la precisión del seguimiento del blanco no es muy buena en este modo, pero en ciertas condiciones, esto puede ser bueno para compensar las diferencias de color.

- ③ AWC: Este es el llamado control automático del balance del blanco. Filme un objeto blanco, pulse el botón SET y el balance del blanco se ajustará.

- ④ MANUAL: Ajuste manualmente. Seleccione MANUAL, pulse el botón E y aparecerá la pantalla mostrada a la izquierda. R GAIN se utiliza para ajustar el color rojizo, y B GAIN se utiliza para ajustar el color azulado.



- (8) EXIT
Se utiliza para guardar la configuración y salir del menú.
- (9) CANCEL
Se utiliza para cambiar las configuraciones por otras que fueron guardadas previamente.
- (10) RESET
Se utiliza para volver a los ajustes de fábrica.

8-3-2. SETUP MENU 2/4

* Las configuraciones nuevas se pueden guardar si se seleccionó EXIT para salir del menú.

SETUP MENU	
→PAGE	2/4
CHROMA	██████████▲
DETAIL	██████████▲
PEDESTAL	7.5 IRE
VIDEO LEV.	██████████▲
DNR	OFF
CRR	OFF
EXIT	CANCEL
	RESET

(1) PAGE

Se pueden cambiar páginas.

(2) CHROMA

Se puede ajustar el nivel de croma. Ajuste observando la pantalla.

(3) DETAIL

Se pueden ajustar los detalles. Ajuste observando la pantalla.

(4) PEDESTAL

Se puede elegir el nivel de pedestal.

(5) VIDEO LEV.

Se puede ajustar el nivel de vídeo. Ajuste observando la pantalla.

(6) DNR (Reducción de ruido digital)

La función de reducción de ruido se puede activar o desactivar.

Cuando se active (ON) DNR, se activará (ON) a la fuerza SENS UP.

(7) CRR

Se puede activar y desactivar la función CRR (supresión de desplazamiento de color).

① OFF: La función CRR (supresión de desplazamiento de color) se desactiva.

② ON: La función CRR (supresión de desplazamiento de color) se activa.

(8) EXIT

Se utiliza para guardar la configuración y salir del menú.

(9) CANCEL

Se utiliza para cambiar las configuraciones por otras que fueron guardadas previamente.

(10) RESET

Se utiliza para volver a los ajustes de fábrica.

8-3-3. SETUP MENU 3/4

* Las configuraciones nuevas se pueden guardar si se seleccionó EXIT para salir del menú.

SETUP MENU		
→PAGE		3/4
CAMERA ID		OFF
VIDEO FLIP		OFF
PRIVACY MASK ↓		
DIGITAL ZOOM ↓		
RESOLUTION		NORMAL
PROGRES. SCAN		OFF
EXIT	CANCEL	RESET

(1) PAGE

Se pueden cambiar páginas.

(2) CAMERA ID

En la pantalla se puede visualizar un máximo de 24 caracteres.

① OFF: No hay visualización en pantalla.

② ON: Hay visualización en pantalla.

● Selección de caracteres de identificación

Mantenga resaltado CAMERA ID y pulse el botón SET. Aparece la pantalla de la derecha.

- ID (Identificación): Pulse el botón SET en ID y aparece el cursor.

Con el botón LEFT o RIGHT, seleccione un carácter. Pulse el botón SET para guardarlo y la casilla del carácter avanzará al

siguiente. Para eliminar un carácter, pulse el botón SET para pasar por el código y ponga el cursor en el carácter que quiera eliminar. Pulse el botón LEFT o RIGHT para dejar la casilla en blanco.

- ID ALL CLEAR: Haga resaltar este elemento y pulse el botón SET. El código de identificación se cancela.
- ID POSITION: Haga resaltar este elemento y pulse el botón L o R. De esta forma, el código de identificación podrá ponerse arriba o abajo.

* **Nota:** Si el ID de la cámara se visualiza en la misma línea que la máscara privada, la máscara se volverá transparente. Ajuste de forma que el ID de la cámara y la máscara no se superpongan.

ID EDIT	
→ID	
ID ALL ERASE	
ID POSITION	TOP
RET	

(3) VIDEO FLIP

Establecimiento de volteo de vídeo

- ① OFF: No hay volteo de vídeo.
- ② HORIZ: Voltea la imagen hacia la derecha o la izquierda.
- ③ VERT: Voltea la imagen hacia arriba o abajo. Este ajuste se requerirá cuando instale esta unidad en una pared.
- ④ BOTH: Voltea la imagen hacia arriba y abajo, o hacia la derecha y la izquierda.

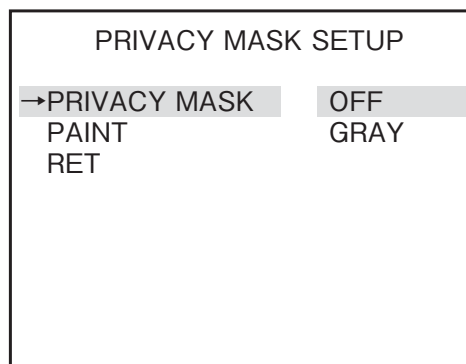
(4) PRIVACY MASK

Es posible ajustar hasta 8 máscaras privadas.

Mueva hasta el elemento de máscara privada y pulse el botón SET para visualizar la pantalla a la derecha.

*** Nota:** Si el ID de la cámara se visualiza en la misma línea que la máscara privada, la máscara se volverá transparente.

Ajuste de forma que el ID de la cámara y la máscara no se superpongan.

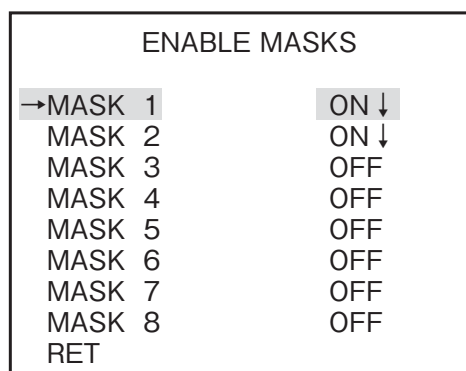


Con esta pantalla puede activar o desactivar el enmascaramiento privado, y con PAINT puede elegir el color deseado: gris, negro o blanco.

Mientras el enmascaramiento privado está activado, al pulsar el botón SET aparece una pantalla de configuración individual.

Con esta pantalla se pueden establecer ocho (8) enmascaramientos individuales diferentes.

Es posible pulsar el botón SET y establecer la posición de la máscara y el tamaño para la máscara de los números ajustados a ON.



● Método de establecimiento de la máscara

- ① Mueva el cursor hasta la parte superior izquierda del lugar donde desee la máscara y pulse el botón SET. (Si hay otras máscaras activadas, las máscaras que no sean la que esté ajustándose se visualizarán como gris semitransparente.)
- ② Cuando el cursor cambie a azul, utilice los botones UP, DOWN, RIGHT, LEFT para ajustar el tamaño.

Cada botón es para:

UP : Mueve la línea inferior de una máscara hacia arriba (Reducción de altura)

DOWN : Mueve la línea inferior de una máscara hacia abajo

(Aumento de altura)

RIGHT : Mueve el lado derecho de una máscara hacia la derecha (Aumento de anchura)

LEFT : Mueve el lado izquierdo de una máscara hacia la izquierda (Reducción de anchura)

③ Pulse el botón SET para visualizar la sección de enmascaramiento como azul semitransparente.

Si quiere cambiar la posición de la máscara, pulse el botón SET y cambie la pantalla a una de color celeste transparente.

Si quiere cambiar la tamaño de la máscara, pulse el botón SET y cambie la pantalla a una de color azul transparente.

Cuando haya múltiples visualizaciones de máscara estén activadas, cada vez que pulse el botón SET para una máscara cuya visualización esté activada, la condición de selección cambiará en el orden siguiente (las máscaras cuya visualización esté desactivada se omitirán).

Máscara 1 Azul celeste → Máscara 1 Azul → Máscara 2 Azul celeste → Máscara 2 Azul → Máscara 3 Azul celeste → Máscara 3 Azul → Máscara 4 Azul celeste, y así sucesivamente.

④ Mantenga pulsado el botón SET durante más de 2 segundos y la pantalla cambia a la configuración de máscara privada. Este proceso deberá hacerse después de terminar de configurar la máscara.

(5) DIGITAL ZOOM

Establezca el zoom.

① ZOOM: Es posible cambiar entre OFF, ampliación 2, ampliación 4, y ampliación 8.

② PAN: Mueva el margen de zoom hacia la derecha o la izquierda. Ajuste a la posición deseada observando la pantalla.

③ TILT: Mueva el margen de zoom hacia arriba o abajo. Ajuste a la posición deseada observando la pantalla.

(6) RESOLUTION

Ajuste la resolución.

① NORMAL: Ajusta la cámara a la resolución normal.

② HIGH: Ajusta la cámara a la resolución alta.

* Si selecciona HIGH, la pantalla puede aparecer reducida a un tamaño más pequeño. Esto no significa mal funcionamiento.

(7) PROGRES.SCAN

Activa o desactiva la exploración progresiva.

(8) EXIT

Se utiliza para guardar la configuración y salir del menú.

(9) CANCEL

Se utiliza para cambiar las configuraciones por otras que fueron guardadas previamente.

(10) RESET

Se utiliza para volver a los ajustes de fábrica.

8-3-4. SETUP MENU 4/4

* Las configuraciones nuevas se pueden guardar si se seleccionó EXIT para salir del menú.

SETUP MENU		
→PAGE		4/4
MONITOR		LCD
SYNC		LL
VIDEO STANDARD ↓		
COLOR BAR		
MENU LOCK		OFF
EXIT	CANCEL	RESET

(1) PAGE

Se pueden cambiar páginas.

(2) MONITOR

La calidad de imagen óptima se puede seleccionar según el monitor utilizado

- ① CRT: Para ser utilizado cuando la cámara se conecte a un monitor CRT (tubo de rayos catódicos).
- ② LCD: Para ser utilizado cuando la cámara se conecte a un monitor LCD.

(3) SYNC

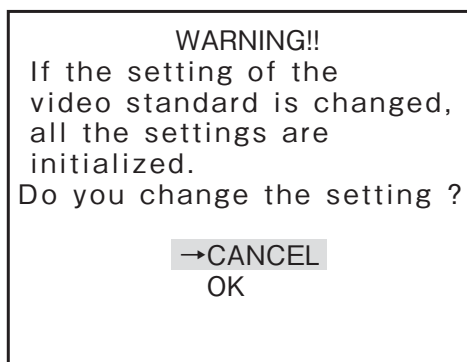
Se pueden seleccionar los sistemas de sincronización, el modo de bloqueo de línea de CA, el modo de bloqueo interno de señales de vídeo.

- ① INT: Se selecciona el modo de sincronización interna.
- ② LL: Modo de sincronización con la fuente de alimentación.
 - * La frecuencia de la fuente de alimentación no puede utilizarse en la gama de 50 Hz.
 - * No puede utilizarse con la entrada de 12 V CC.

(4) VIDEO STANDARD

Esto cambia el sistema de vídeo entre NTSC y PAL. Después de seleccionar este sistema de vídeo y pulsar el botón SET, en una pantalla aparecerá el mensaje de aviso siguiente.

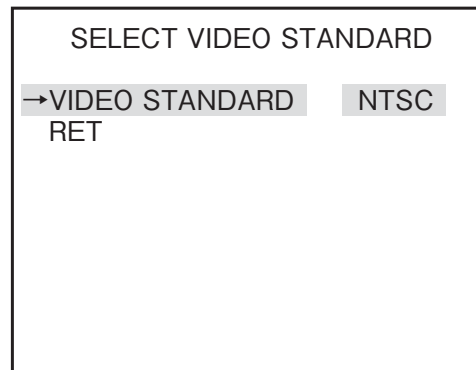
- ① CANCEL: Para volver a la pantalla del menú de configuración.



- ② OK: Aparecerá la pantalla de selección, como se muestra a la derecha.

Se puede seleccionar NTSC o PAL.

- * Cada vez que se cambia el sistema, todos los parámetros de los elementos de vídeo relacionados cambian a los ajustes de fábrica.



***Nota:** Seleccione el método de señal de vídeo de acuerdo con su sistema de televisión. Si la selección es errónea, la imagen puede distorsionarse o no visualizarse. Esto no indica un mal funcionamiento.

(5) COLOR BAR

Pulse el botón SET para obtener la visualización en color. Pulse de nuevo el botón SET para volver a la pantalla SETUP MENU.

(6) MENU LOCK

La función de bloqueo de menú protege las configuraciones guardadas para evitar modificarlas por accidente.

- ① Para bloquear

Guarde la configuración guardada poniendo los botones LEFT y RIGHT en ON.

- ② Operación

En el modo de bloqueo sólo sirve EXIT, y todas las demás acciones quedan invalidadas.

- ③ Desbloqueo

Pulse los botones en el orden de

UP → RIGHT → DOWN → LEFT → UP → DOWN → SET en el modo de configuración.

Si pulsa por error un botón equivocado durante este proceso, vuelva a empezar.

(7) EXIT

Se utiliza para guardar la configuración y salir del menú.

(8) CANCEL

Se utiliza para cambiar las configuraciones por otras que fueron guardadas previamente.

(9) RESET

Se utiliza para volver a los ajustes de fábrica.

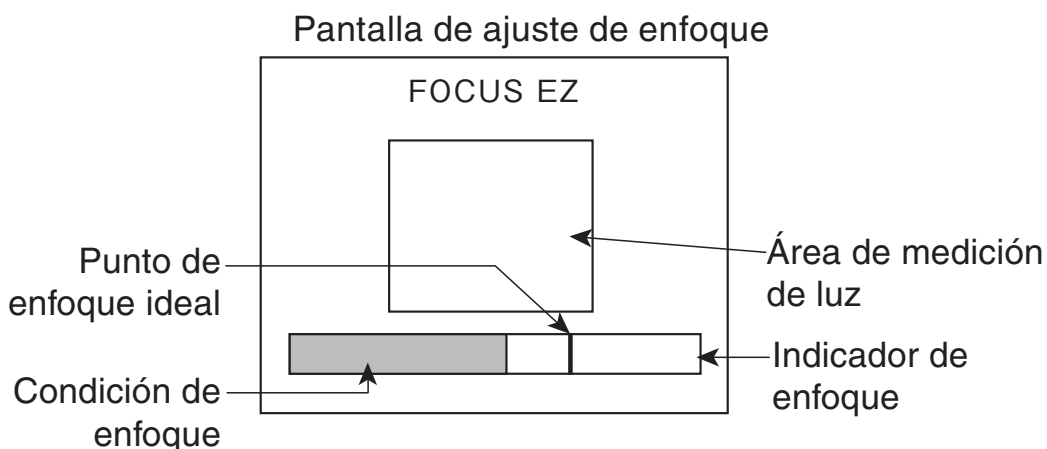
9. Función FOCUS EZ (enfoque fácil)

9-1. Visualizaciones en pantalla

FOCUS EZ es una función para apoyar el ajuste del enfoque. El indicador de enfoque visualizado en la pantalla puede utilizarse para confirmar las condiciones de enfoque. En el caso de iris automático, es posible abrir a la fuerza la apertura del objetivo durante un período de tiempo establecido para realizar el ajuste del enfoque sin preocuparse por la profundidad de campo incluso en un entorno brillante durante el día. (La sensibilidad de la cámara se ajusta automáticamente, y no hay influencia en la imagen visualizada.)

Mantenga pulsado el botón UP durante dos segundos para iniciar FOCUS EZ y pasar a la pantalla de ajuste de enfoque.

FOCUS EZ no puede iniciarse en el modo de configuración.



El enfoque podrá ajustarse observando el indicador de enfoque de la pantalla de ajuste del enfoque. En el indicador de enfoque se visualizan el punto ideal de enfoque (negro) y la condición de enfoque actual (azul claro). Ajuste el enfoque de forma que la condición de enfoque alcance el punto ideal.

Si pulsa el botón DOWN button una vez durante la operación de FOCUS EZ, la función FOCUS EZ se desactivará.

- * El punto ideal de enfoque se mueve con el transcurso del tiempo.
- * El punto ideal de enfoque puede sobrepasar el punto indicado en el indicador de enfoque. En tal caso, el punto ideal de enfoque vuelve al centro del indicador. Esto no indica un mal funcionamiento.

10. Garantía y servicio postventa

Este producto va acompañado de una garantía. Lea y rellene la tarjeta de garantía que usted ha recibido en el establecimiento de su concesionario y guárdela en un lugar seguro.

- Consulte a Ikegami Electronics (U.S.A.) Inc., a Ikegami Electronics (Europe) GmbH o a su concesionario para obtener una información completa de la garantía. Su concesionario reparará o reemplazará el producto libre de todo gasto siempre que no haya vencido el periodo de la garantía y se cumplan con todas las condiciones de la misma.
 - Para hacer reparaciones una vez que haya expirado el periodo de garantía, consulte a su concesionario o representante de ventas. Éste juzgará primero si el problema puede solucionarse o no. Los servicios que acarreen gastos serán realizados una vez obtenido el consentimiento del usuario.
 - Antes de solicitar el servicio de reparaciones, lea primero el manual de instrucciones. Si la unidad sigue fallando, tome nota detallada del número del modelo, la fecha de compra, el problema, etc. e informe a su concesionario o representante de ventas.
 - Si tiene alguna pregunta relacionada con el servicio postventa, no dude ponerse en contacto con nuestro concesionario o representante de ventas.
- * Le sugerimos que solicite una inspección preventiva con anticipación.

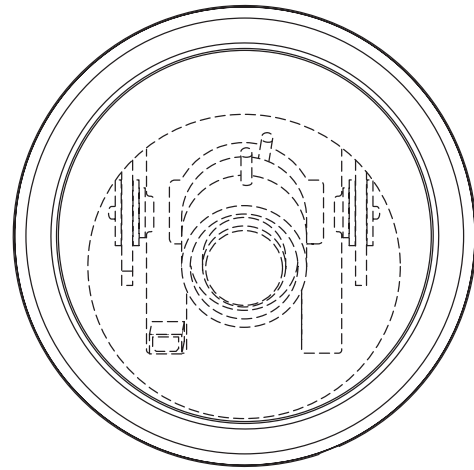
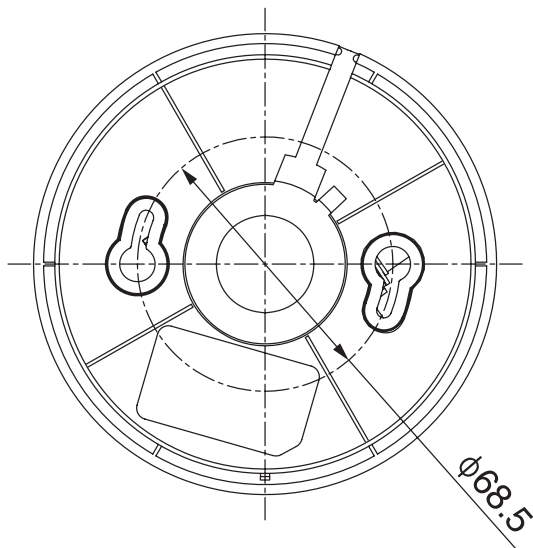
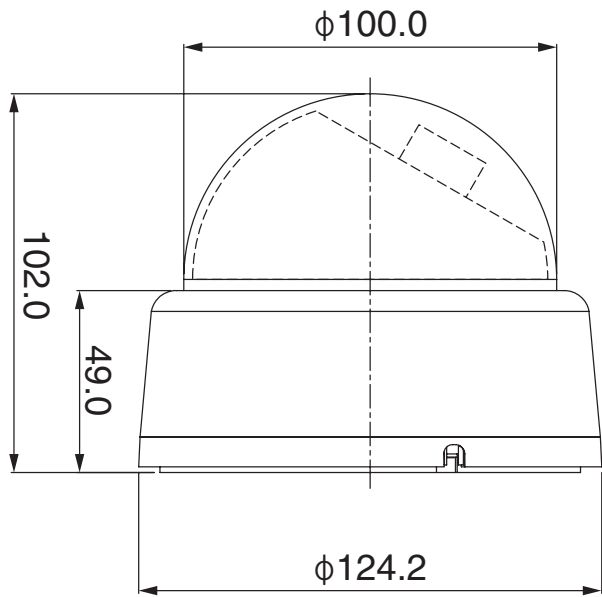
11. Especificaciones

- | | |
|--|--|
| (1) Sensor de imagen: | Sensor CMOS DPS Pixim de 1/3 de pulgada |
| (2) Número de píxeles: | Aproximadamente 410.000 píxeles,
758 (H) x 540 (V) |
| (3) Sistema de exploración: | 525 líneas de TV, 59,94 Hz
(60 Hz con bloqueo de línea activado),
entrelazado 2:1 |
| (4) Sistema de sincronización: | INT/LINE-LOCK (ajustable en fase)
(El bloqueo de línea no se puede utilizar cuando
la frecuencia de alimentación y la frecuencia
vertical de la cámara son diferentes entre sí o
cuando la cámara es accionada por CC.) |
| (5) Salida de vídeo: | VBS 1,0Vp-p/75ohmios
MON.OUT 1,0Vp-p/75ohmios |
| (6) Resolución: | Horizontal; 520 líneas de TV
En el modo de alta resolución
(efectiva de 690 líneas horizontales de TV) |
| (7) Relación señal a ruido: | Más de 50 dB/rms (AGC OFF, detalles OFF) |
| (8) Iluminación mínima
de objetos: | 0,3Lx/F1,4 (en el modo hiper AGC) |
| (9) Gama dinámica amplia: | Incorporada y variable |
| (10) AGC: | ON (AGC, HYPER-AGC)/OFF (LOW, MID,
HIGH) seleccionable |
| (11) Control de sensibilidad
electrónico: | Incorporado, ON (AUTO) o OFF seleccionable
Máximo 32 veces |
| (12) Control de balance del blanco: | ATW/ATWex/AWC/MANU, seleccionable |
| (13) Ajuste de máscara privada: | Incorporada, hasta 8 áreas |
| (13) Reducción de ruido digital: | Incorporado, ON o OFF, seleccionable |
| (15) Selección de salida de
monitor óptima: | Incorporada, tipo CRT o LCD,
seleccionable |
| (18) Identificación de cámara: | 1 línea, hasta 24 caracteres
(letras, números y símbolos) |
| (17) Configuración local: | Utilizando el interruptor del interior de
la cámara, será posible seleccionar y
establecer elementos de cuerdo con la
visualización en pantalla.
: identificación de la cámara, AGC
ON/OFF, selección y ajuste de ATW/
AWC/MANU, conmutación LL/INT de |

	sincronización, ajuste de fase, nivel de gama dinámica amplia, nivel del iris, activación o desactivación de la compensación de luz de fondo y ajuste de la zona de fotometría BLC, ON/OFF de aumento de sensibilidad electrónica, DNR ON/OFF, selección de salida de monitor en CRT/LCD, nivel de detalle, nivel de croma, control, configuración de máscara privada Función FOCUS EZ (con indicador de enfoque)
(18) Asistencia de enfoque	
(19) Función de volteo de vídeo	Incorporada. hacia arriba o abajo, hacia la derecha o izquierda, hacia arriba y abajo o hacia la derecha e izquierda
(20) Objetivo:	Objetivo incorporado, montura en C, distancia focal variable f2,9mm - 10mm f9 - 22mm
(21) Alimentación:	12 V CC (+10,5 V a +15 V) 24 V CA \pm 10% (50/60Hz)
(22) Consumo y corriente:	Aproximadamente 2,0 vatios
(23) Temperatura y humedad relativa de funcionamiento:	-10 a +50°C, 30% a 90% de humedad relative (sin condensación)
(24) Cubierta de domo:	Interior y exterior, tipo de domo doble
(25) Tamaño: (Diámetro y altura)	124,2 mm de diámetro x 102,0 mm (excluyendo partes salientes)
(26) Weight:	Aproximadamente 340 g
(27) Conectores de entrada/salida:	<ul style="list-style-type: none"> • VIDEO OUT; BNC • Entrada de alimentación; Cables de extremos abiertos • MONI.OUT: Salida de conector
(28) Accesorios suministrados:	Manual de instrucciones: 1 Tornillos autorroscantes para asegurar la cámara: 2 Cable de salida de MON.OUT: 1

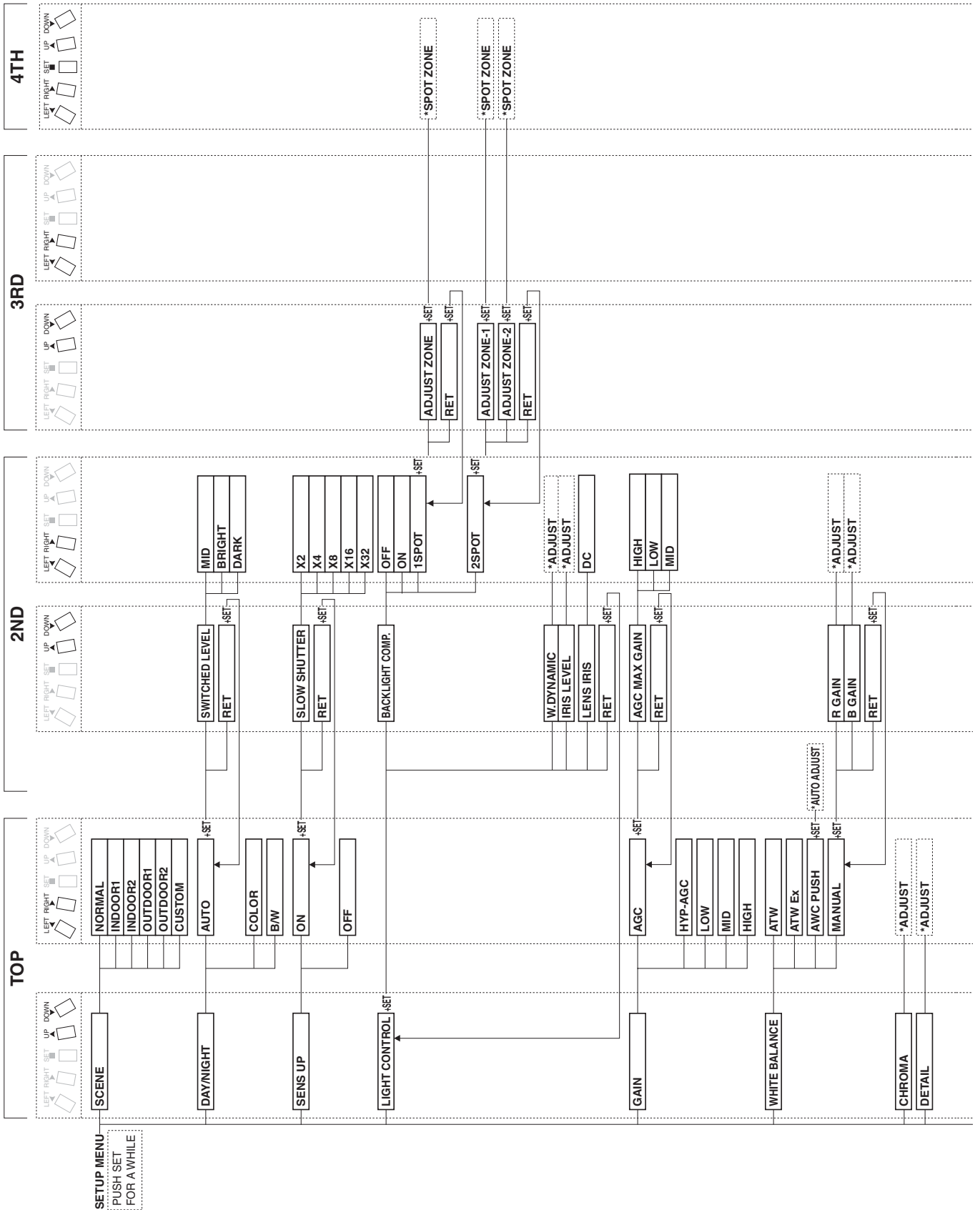
* Las especificaciones y el diseño están sujetos a cambios sin previo aviso.

12. External Appearance



(Unit:mm)

13. Setup Flow Chart





4TH

3RD

2ND

TOP

Ikegami

■ **Ikegami Electronics (U.S.A.), Inc.**

37 Brook Avenue, Maywood, N.J. 07607, U.S.A.
Phone: (201) 368-9171, FAX (201) 569-1626
www.ikegami.com

or

■ **Ikegami Electronics (Europe) GmbH**

Ikegami Strasse 1, D-41460 Neuss, Germany
Phone : 02131-123-0, FAX 02131-102820
www.ikegami.de

■ **Ikegami Electronics U.K. Office:**

Unit E1, Cologne Court, Brooklands Close,
Windmill Road, Sunbury-on-Thames,
Middlesex, TW16 7EB, U.K.
Phone:01932-769700 FAX 01-92-769710
www.ikegami.co.uk



Ikegami Tsushinki Co., Ltd.

U021049-01