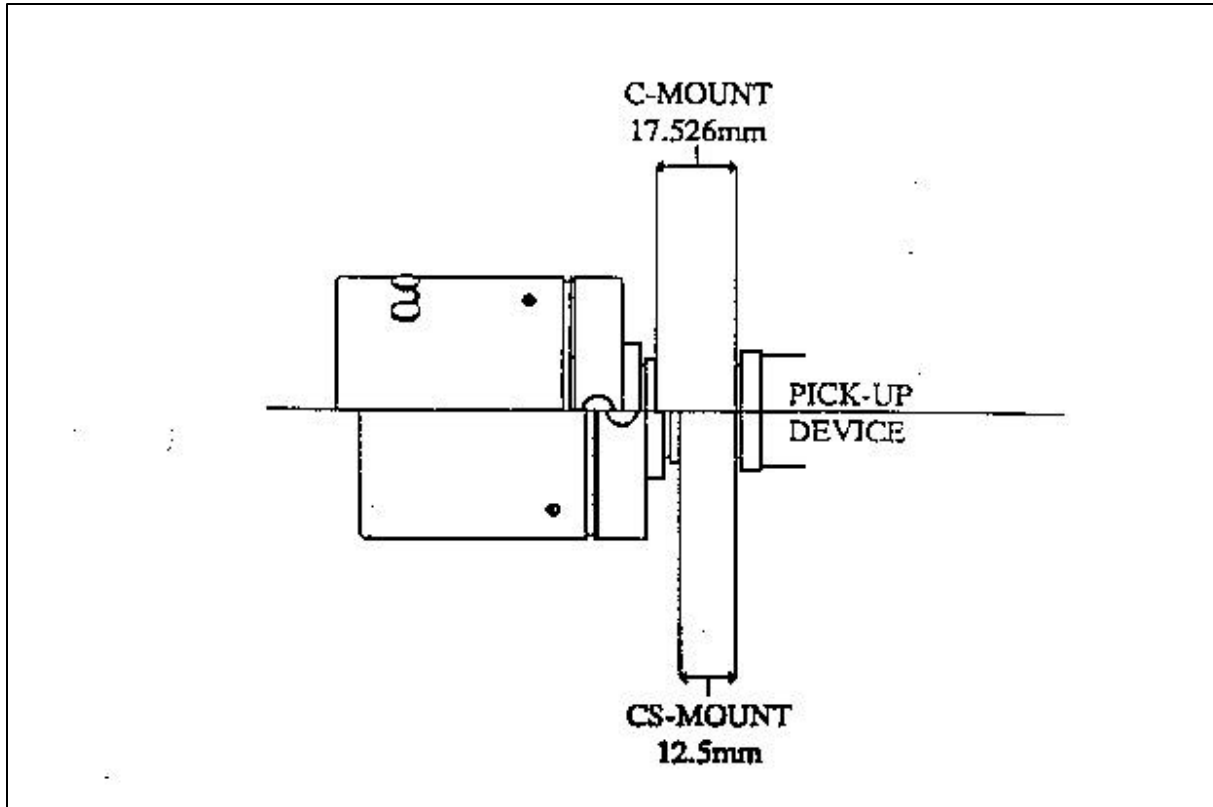


# C-MOUNT VS. CS-MOUNT



CCTV Lenses are available in two different lens mounts. "C-Mount" lenses have a flange back distance of 17.526mm vs. 12.5mm for "CS-Mount" lenses. Many of today's cameras can accept either type of lens, but it is important to make sure that camera and lens are compatible and set up properly. C-Mount lenses can be used on CS-Mount cameras by utilizing a 5mm adaptor or adjusting the camera for C-Mount lenses. Because of the shorter back focal distance, CS-Mount lenses can only be used on CS-Mount cameras. Your picture will be out of focus if you use a CS-Mount lens on a C-Mount camera.