

Ikegami Camera Auto Iris Lens Connector Cable Connection

Model for :

Monochrome : ICD-B3, ICD-31, ICD-33, ICD-36, ICD-34, ICD-42A, ICD-47

Color : ICD-500, ICD-501, ICD-503, ICD-504, ICD-700, ICD-703,
ICD-703W, ICD-803, ICD-870

Connector Parts Number : E4-J191J-100

Auto iris lens connector

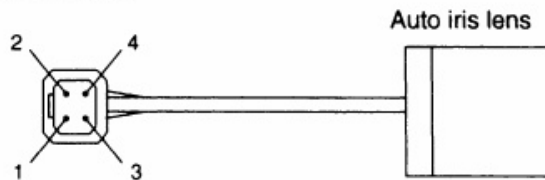
Use the accompanying auto iris lens control connector

• **For the video type auto iris lens**

Set the lens selector switch to VIDEO position.

— Connector cable leads —

1. Red (power)
2. Not used
3. White (video)
4. Black (shielded)



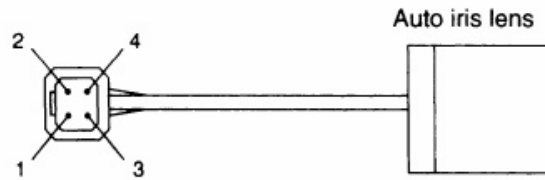
※ Dress the end of the green lead not to allow short-circuit.

• **For the DC type auto iris lens**

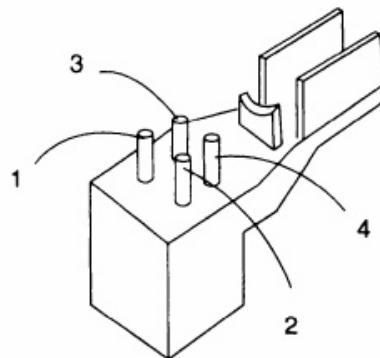
Set the lens selector switch to DC position.

— Connector cable leads —

1. Damping coil (-)
2. Damping coil (+)
3. Driving coil (+)
4. Driving coil (-)



※ Connect the leads as shown above. Refer to the instructions of the lens.



Numbers of connector pins