

## 3.3 Camera and Peripheral Installation and Connection

### Mounting/Removing the Camera on/from the Tripod

#### ■ Mounting the Camera on the Tripod

This section explains how to install the camera on the tripod. There are various types of tripods depending on the application and purpose. See the user's manual of your tripod for details on the tripod. This section is based on using a VIDEO-18 as an example.

- 1 Loosen the fixing knob and extend the tripod legs.  
Adjust the height to suit your preferences.

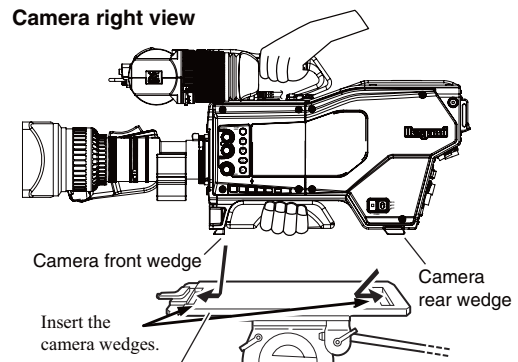
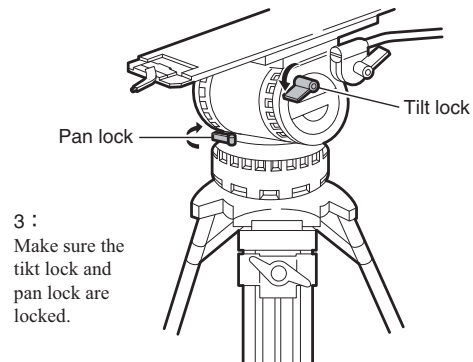
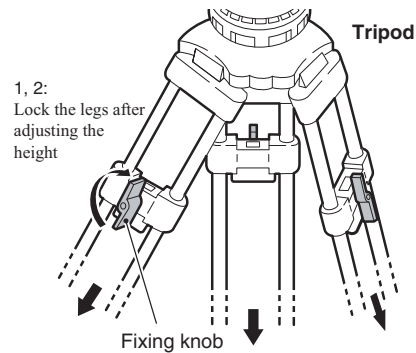
- 2 Check the level gauge on the pan head, and adjust the ball mount for a level head.

- 3 Check that the Tilt lock and Pan lock are secured.  
If the locks are not secured or loose, tighten them.

**Caution:**

Be sure to tighten the fixing knob before mounting this product on the tripod.  
If the tripod is not stable, the camera may fall off when mounting, resulting in damages or injury.

- 4 Attach the tripod plate to the pan head. Insert the edge of the rear wedge of the camera into the slot on the mounting plate.  
Push it toward the rear, to hook the edge.



- 5** Lower the camera front wedge into its slot, and tighten the lock lever to fix the camera.

Turn it until you hear a click. You hear a click when the lock lever is locked.

- 6** Secure the camera on the tripod so that it does not rattle.

**Caution:**

If the camera and tripod rattle, the camera may fall off, resulting in damages or injury.

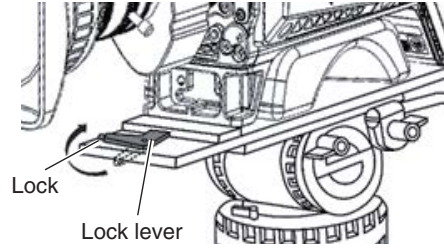
Causes of rattling may include: Loose lock lever; abnormality in the front/back edge, mounting brackets, and tripod.

Also check if the shape of the tripod mounting plate is okay.

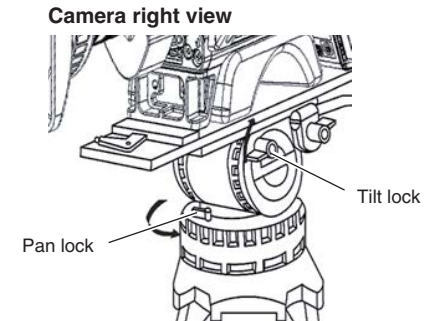
- 7** Loosen the Tilt lock and Pan lock to adjust the tilt and direction of the camera.

The friction is less when the Pan brake and Tilt brake are turned to the direction with a small number, so the camera moves smoothly. On the other hand, the friction is greater when they are turned to the direction with a big number, so the camera does not rotate easily.

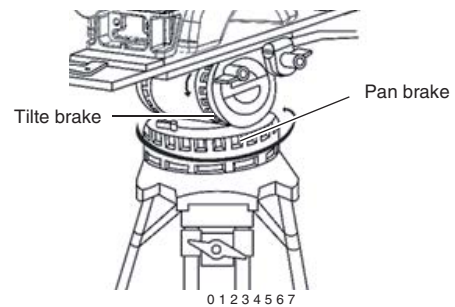
- 8** When the tilt and angle orientation of the camera is determined, tighten the Tilt lock and Pan lock to secure it.



5 : Tighten the lock lever to fix the camera.



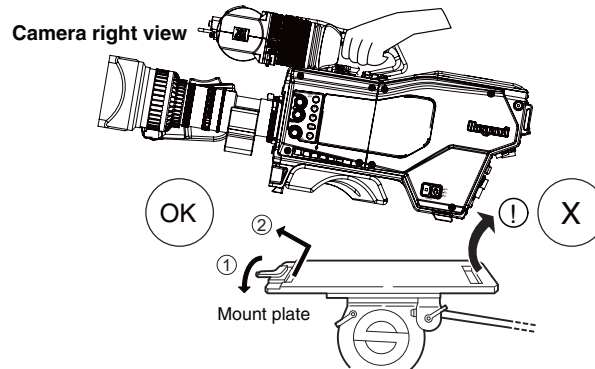
7 : Loosen the Tilt lock and Pan lock to adjust the tilt and angle orientation of the camera.



## ■ Dismounting the Camera from the Tripod

This section explains how to dismount the camera from a tripod.

- 1 Press the red button on the lock lever to release the lock.  
Be sure to hold the camera handle when dismounting so that the camera does not fall.
- 2 Slightly lift the front part of the camera and push it forward to remove the rear edge. Then, lift the camera to dismount from the tripod.



### Caution:

If you try to pull the camera towards the back without removing the rear edge, the camera wedge or tripod plate may be damaged. To dismount the camera, be sure to release the lock lever first (1), and push the front part of the camera forward to remove the rear wedge, and then lift the camera to dismount (2)