

Multi Display 26<sup>inch</sup>

# MLW-2626C

### Natural color reproduction and Full High Definition images for medical applications

The Ikegami Medical LCD monitor realize true color and Full High Definition delivering industry leading medical image reproduction.



### Maximum 30 meters length of DVI-D cable available

Signal compensation function is installed and the signal degradation is prevented. Then, maximum 30 meters length of DVI-D cable can be used with the monitor.

### Flip function

Images can be flipped horizontally and vertically, allowing the correction of image inversion caused by the optics.



### User memory

Maximum eight (8) settings can be set as preset. The parameter such as color temperature, hue, chroma, gamma, R/G/B gain and display mode can be saved for each user or application.

### VESA mount available

A variety of installation brackets for arms and walls can be chosen with the combination of VESA mount.

## HIGH QUALITY LCD DISPLAY AND SUPERIOR IkeGAMI IMAGE PROCESSING

### 10-bit signal input & 10-bit signal process engine & 10-bit LCD panels

10-bit signal input is available(\* DVI-D is excluded.).  
10-bit signal processing based on Ikegami image processing technology allows the smooth gradation of color.  
Further smooth color gradation can be achieved by processing 10 bit signal from signal input to display.

### LED backlight panel

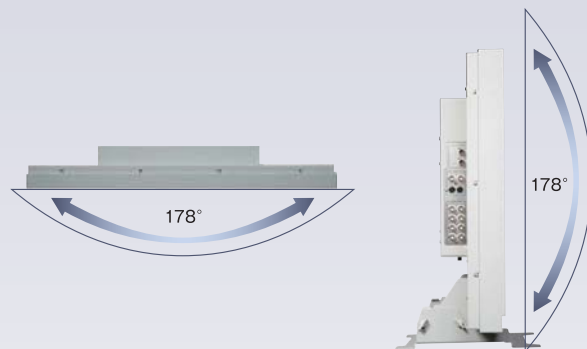
LED backlight panel helps saving power.  
It also supports Higher brightness & Higher contrast than conventional LCD monitors.

### HD-SDI 3G signal input

The HD-SDI 3G signal can be input for the true progressive imaging and more suitable to natural images.

### 178 degrees high contrast viewing angle

LCD panel based on IPS technology is employed for 178 degrees high contrast viewing on UP/DOWN/LEFT/RIGHT.  
This characteristic prevents from intensity and Color shift by the viewing angle.



## VARIETY OF USEFUL FUNCTIONS AND USER-FRIENDLY OPERATION

### Multi-Display function with Side-by-Side and Picture-in-Picture

Two types of input images can be displayed simultaneously with Side-by-Side and Picture-in-Picture display mode.



Side by Side



Picture in Picture

\*The images are synthesized.

#### ■ Desktop Stand Option



[Signal availability list of Side-by-Side and Picture-in-Picture]

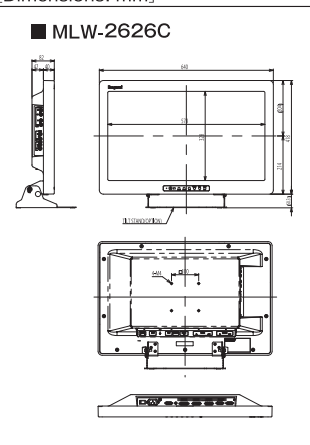
CH2 \ CH1	SDI	SD- RGB-S	HD-Y, Pb, Pr	Y/C	VBS	PC	DVI
SDI	○	○	○	○	○	○	○
SD-RGB-S	○	○	○	○	○	○	○
HD-Y, Pb, Pr	○	○	○	○	○	○	○
Y/C	○	○	○	×	×	○	○
VBS	○	○	○	×	×	○	○
PC	○	○	○	○	○	×	○
DVI	○	○	○	○	○	○	○

\* The maximum resolution of the sub screen is SXGA.

[Specifications]

LCD Panel	Panel Size		26-inch	General	Multi Display		Picture in Picture or Side by Side Swap display is available	
	Pixels		1920×1080		Invert Top and Bottom or Right and Left Function		Standard	
	Display Size		576×324 mm		Remote Terminal		Serial	
	Aspect Ratio		16:9		Resolution		1000 TV Line or more (at component input)	
	Color Gradient		10-bit x 3 (1.06B)		Maximum Brightness		450cd/m <sup>2</sup>	
	Color Gamut		-		Contrast Ratio		1400:1 (Typical)	
View Angle		178°/178° (Typical)		Safety Approval		UL60601-1/CSA22.2No.601-1/EN60601-1		
Input Signal	SDTV	Analog	VBS x 1ch	EMI Approval		FCC Class A/EN60601-1-2/VCCI Class A		
		Digital	Multi-SDI x 2ch	Power Requirement		DC24V/3.3A		
	HDTV	Analog	-	Power Consumption		80W Max.		
		Digital	Multi-SDI x 2ch	Operation		Temperature	5 to 35°C	
	PC	DVI	DVI-D x 2ch	Storage		Temperature	30 to 80% (non condensing)	
		RGB Analog	HD-15P D-Sub x 1ch			Humidity	-20 to 60°C	
Supported Resolution		VGA to WUXGA	Dimensions (excluding stand and protrusions)		Humidity	30 to 90% (non condensing)		
			Dimensions (excluding stand and protrusions)		W640×H418×D82 mm			
			Weight (excluding stand)		8kg or less			

[Dimensions: mm]



Design and specifications are subject to change without notice.

#### Ikegami Tsushinki Co.,Ltd.

■ URL : <http://www.ikegami.co.jp/en/>

■ Head Office : 5-6-16 Ikegami, Ohta-ku, Tokyo 146-8567, Japan ..... TEL.+81-03-5700-1111 / FAX.+81-03-5700-1137

■ Overseas Sales Division : 5-6-16 Ikegami, Ohta-ku, Tokyo 146-8567, Japan ..... TEL.+81-03-5700-4117 / FAX.+81-03-5748-2200

■ Beijing Office : Room No.307 Tower B, Jia Tai International Mansion No.41 East Fourth Ring Road, Chaoyang District, Beijing China ..... TEL.+86-010-85710350 / FAX.+86-010-85711804

#### Ikegami Electronics (U.S.A.), INC.

■ URL : <http://www.ikegami.com>

■ Headquarters : 37 BROOK AVENUE, MAYWOOD, NJ 07067 ..... TEL.+1-(201) 368-9171 / FAX.+1-(201) 569-1626

#### Ikegami Electronics (Europe) GmbH

■ URL : <http://de.ikegami.co.jp>

■ Headquarters : Ikegami Strasse 1, D-41460 Neuss, Germany ..... TEL.+49-02131-1230 / FAX.+49-02131-102820

■ U.K. Branch : 1 Windmill Business Village, Brooklands Close, Sunbury on Thames, TW16 7DY, England ..... TEL.+44-01932-769700 / FAX.+44-01932-769710

#### Ikegami Electronics Asia Pacific Pte.Ltd.

■ URL : <http://sg.ikegami.co.jp>

■ Headquarters : 1 Tampines Central 5, #03-03 CPF Tampines Building, Singapore 529508 ..... TEL.+65-6260 8820 / FAX.+65-6260 8896

