

Ikegami

OUTDOOR ULL CAMERA HOUSINGS & ACCESSORIES



Shown with optional wiper/washer



Shown with optional cooling device

IKH-47244

sturdy and large slide extractable aluminum unit designed to fit combinations of 1/2 inch 1/3 inch and 1/4 inch cameras and with optics of various types

- Interior usable area 5.2x4.0x10.7 in (WxHxL) Allows for most cameras with large lenses (see data sheet for further details).
- IP66/1P67, Slide extractable body
- Optional, high efficiency cooling system for IP cameras and high environmental temperature.
- Optional reinforced double heater down to -40°C (-40°F) or triple down to -58°C (-72.5°F).
- Available accessories:
 - Heater
 - camera power supply
 - Wiper and washer pump

IKH-52300

Robust aluminum housing designed to simplify the installation and service and guarantee total protection against all environmental conditions.

- Interior usable area 6.1x5.4x20.4 in (WxHxL) Allows for most cameras with large motorized zoom lenses (see data sheet for further details).
- Base constructed from aluminum and top part of the body in robust ABS material.
- IP66/1P67, removable top body with safety cord.
- Equipped as standard with camera power supply, reinforced triple heater with two continuous duty fans and wiper.
- Available accessories:
 - Optional washer pump.



Ikegami

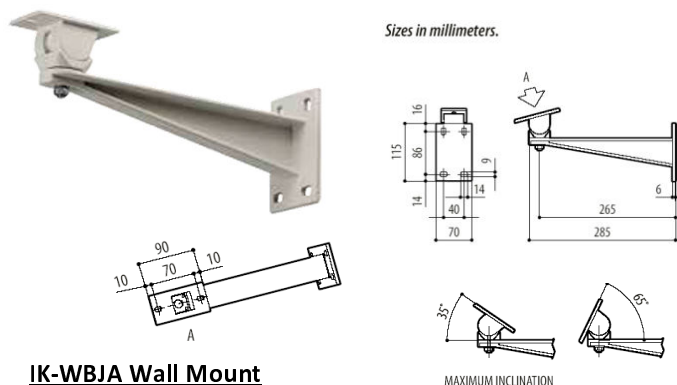
OUTDOOR ULL CAMERA HOUSINGS & ACCESSORIES

▪ Wall Bracket



IK-WBLA Wall Mount

- Solid Anticorodal Aluminum Construction
- Color: Beige
- Load Rating: 154lbs (70kg)
- Unit Weight: 14.5lbs. (6.6kg)
- Length: 18.7" (457.5mm)
- Shipping Weight: 15.4lbs (7kg)
- Shipping Dimensions: 10.5" x 7" x 19" (27x18x49cm)



IK-WBJA Wall Mount

- Solid Aluminum Construction
- Fully Adjustable Swivel Head
- Color: Beige
- Load Rating: 55lbs (25kg)
- Unit Weight: 1.3lbs. (0.6kg)
- Height: 7.3" (185mm)
- Shipping Weight: 1.5lbs (0.7kg)
- Shipping Dimensions: 3" x 5" x 12" (7.5x12x31cm)

▪ Pole Mount Adapter & Wipers



IK-DBHWGC Pole Mount Adaptor

- Steel Construction
- For Pole Diameter: 8.3" ~ 8.6" (210~225mm)
- Load Rating: 55lbs (25kg)



IKH-WIPER

- 24VAC wiper for the HEG housing

Design and specifications are subject to Change without notice.

IKEGAMI ELECTRONICS, (U.S.A.) INC.

URL: <http://www.ikegami.com> email: cctv@ikegami.com

Headquarters
West Coast
South West
South East
Midwest

37 Brook Avenue, Maywood, NJ 07607 Phone (201)368-9171 Fax (201)569-1626
Redondo Beach, CA 90278 Ph (310)297-1900 Fax (310)536-9550
Waxahachie, TX 75167 Ph (972)869-2363 Fax (972)556-1057
Deerfield Beach, FL 33441 Ph (954)571-7177 Fax (954)571-7760
Bloomingdale, IL 60108 Ph (603)-372-8777 Fax (603)-372-8777